



Introduction: PTBT

The PTBT series plenum slot diffuser features fixed blades for horizontal airflow. Should the inlet orientation interfere with ceiling fixtures or other obstructions, the plenum can be removed from the blade assembly and either portion can be rotated to accommodate the desired application. The inlet collar is removable from the plenum if field retrofit is necessary to change the size of the existing inlet. This design makes Krueger's PTBT series diffuser an ideal choice for tenant areas that have a short tenant life cycles and VAV cooling applications.

MODEL

PTBT - Plenum Slot Diffuser with Fixed Blades

FEATURES

- Slots: 1, 2, 3, or 4.
- Lengths: 24", 36", 48", and 60".
- Left or right inlet orientation.
- Extruded aluminum blades.
- 1-Way or 2-way fixed discharge air patterns.
- Interchangeable inlets.

ACCESSORIES

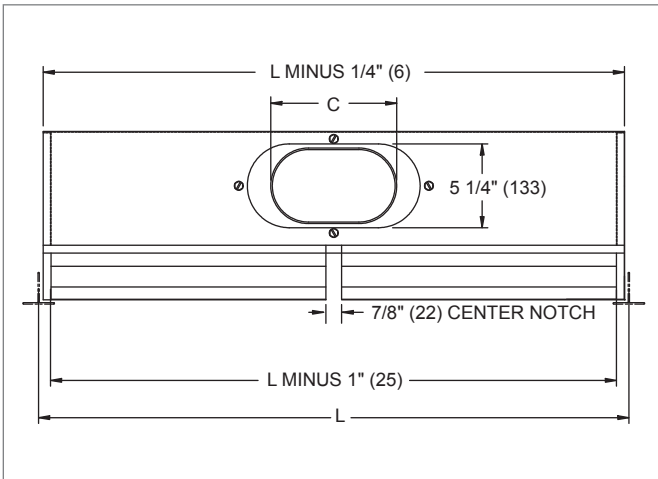
- Insulation
- Plaster Frame

FINISHES

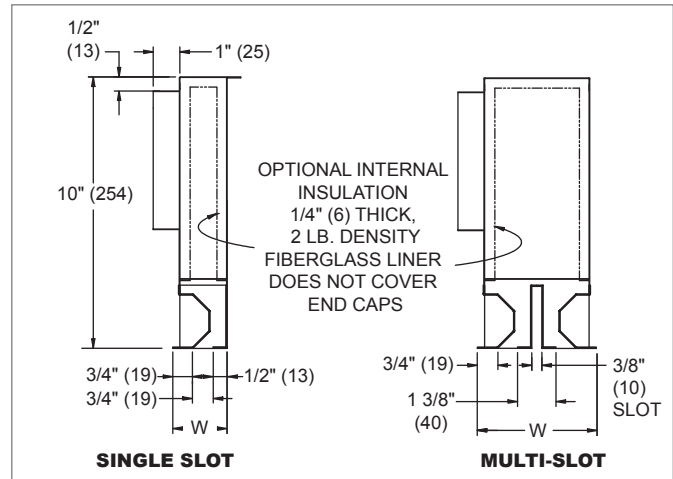
- Standard finish is #44 British White.

PTBT Dimensional Information

PTBT, INLET SIDE VIEW



PTBT, CROSS SECTION, SINGLE & MULTI-SLOT



PTBT, AVAILABLE SIZES

Inlet Size	C	L
6" (152) Oval	6 1/4" (159)	24" (610) - 60" (1524)
8" (203) Oval	9 3/8" (238)	24" (610) - 60" (1524)
10" (254) Oval	12 1/2" (317)	24" (610) - 60" (1524)

NOTE: Dimensions in parentheses are mm.

PTBT, FACE WIDTH

Pattern	W
11L / 11R	2" (51)
21L / 21R	3 1/2" (89)
31L / 31R	5" (127)
41L / 41R	6 1/2" (165)
22	4 3/8" (111)
32L / 32R	5 7/8" (149)
42	7 3/8" (187)