

Introduction: PTBS

The PTBS series plenum slot diffuser features a unique, gasketed aluminum blade that rotates for easy adjustment from horizontal flow to vertical flow. The PTBS blades can be locked into a discharge position by tightening the blade screws at each end of the diffuser to provide consistent performance after system balance. The plenum is an integral part of the diffuser and has a drawn inlet collar to prevent plenum air leakage and simplify installation of the diffuser. The fully adjustable discharge air pattern from horizontal to vertical and any point in between makes Krueger's PTBS series diffuser an ideal choice for perimeter heating and VAV cooling applications.

MODEL

PTBS - Plenum Slot Diffuser, Gasketed Aluminum Blade, Steel Plenum Construction

FEATURES

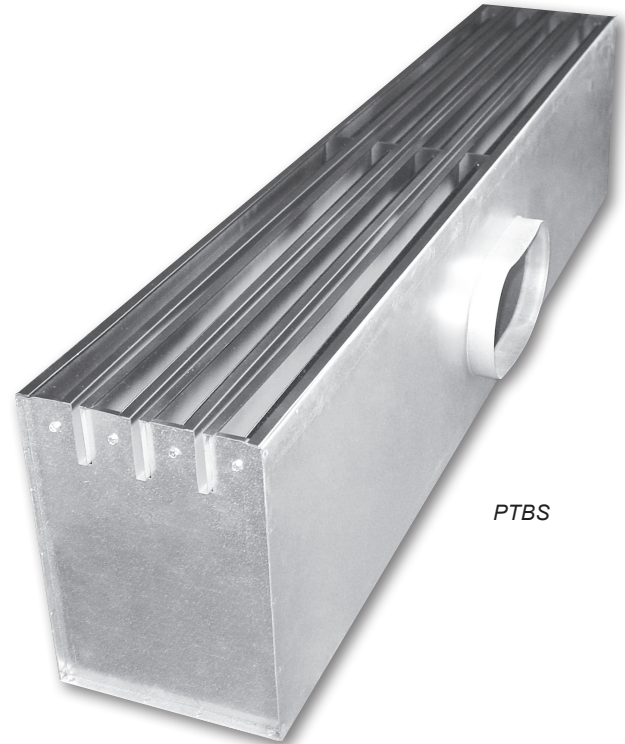
- Slots: 1, 2, 3, or 4.
- Slot Widths: 3/4", 1", and 1 1/2".
- Lengths: 24", 36", 48", and 60".
- Double metal thickness at slot face for rigidity and straightness.

ACCESSORIES

- Quadrant Damper
- Insulation
- Mounting Tabs
- Plaster Frame

FINISHES

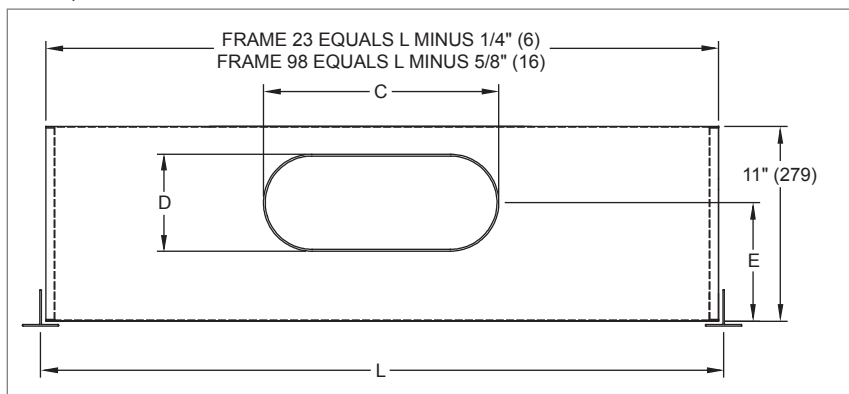
- Standard finish is black face with optional white tees.
- Optional finishes available.



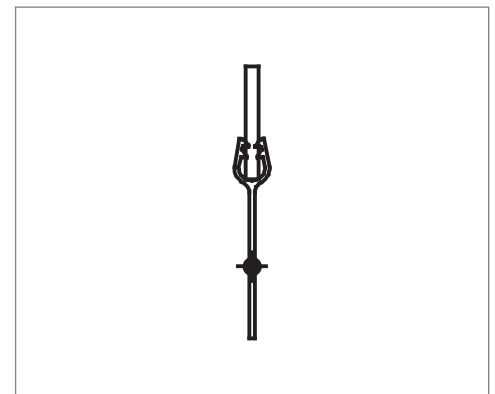
PLENUM SLOT DIFFUSERS

PTBS Dimensional Information

PTBS, INLET SIDE VIEW



PTBS, PATTERN CONTROLLER



PTBS, AVAILABLE SIZES

Inlet Size	C	D	E	L
5" (127) Round	4 7/8" (124)	4 7/8" (124)	6 3/16" (157)	24" (610) - 36" (914)
6" (152) Oval	6 1/4" (159)	5 1/4" (133)	6 3/8" (162)	24" (610) - 60" (1524)
8" (203) Oval	9 3/8" (238)	5 1/4" (133)	6 3/8" (162)	24" (610) - 60" (1524)
10" (254) Oval	12 1/2" (318)	5 1/4" (133)	6 3/8" (162)	24" (610) - 60" (1524)
12" (305) Oval	15 9/16" (395)	5 1/4" (133)	6 3/8" (162)	48" (1219) - 60" (1524)

NOTE: Dimensions in parentheses are mm.