



**Introduction: PTBT**

The PTBT series plenum slot diffuser features fixed blades for horizontal airflow. Should the inlet orientation interfere with ceiling fixtures or other obstructions, the plenum can be removed from the blade assembly and either portion can be rotated to accommodate the desired application. The inlet collar is removable from the plenum if field retrofit is necessary to change the size of the existing inlet. This design makes Krueger's PTBT series diffuser an ideal choice for tenant areas that have a short tenant life cycles and VAV cooling applications.

**MODEL**

PTBT - Plenum Slot Diffuser with Fixed Blades

**FEATURES**

- Slots: 1, 2, 3, or 4.
- Lengths: 24", 36", 48", and 60".
- Left or right inlet orientation.
- Extruded aluminum blades.
- 1-Way or 2-way fixed discharge air patterns.
- Interchangeable inlets.

**ACCESSORIES**

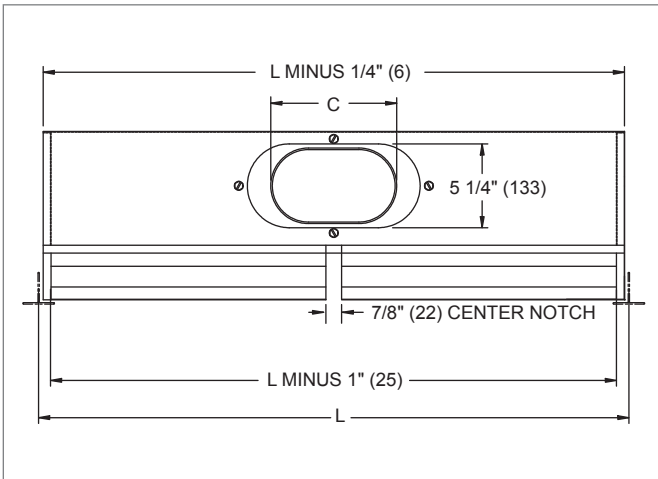
- Insulation
- Plaster Frame

**FINISHES**

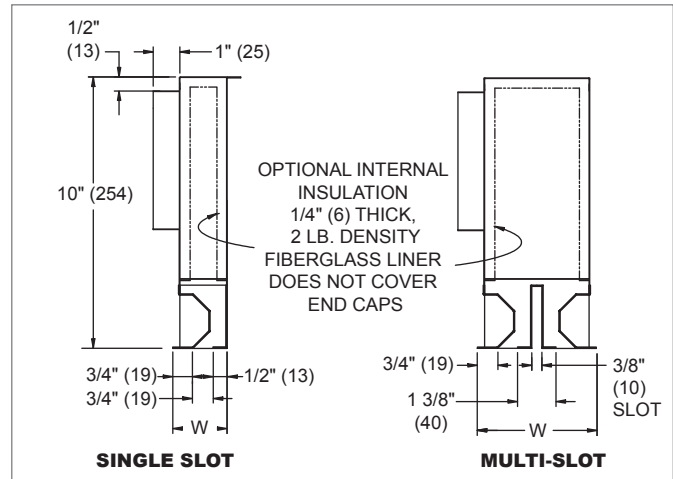
- Standard finish is #44 British White.

**PTBT Dimensional Information**

**PTBT, INLET SIDE VIEW**



**PTBT, CROSS SECTION, SINGLE & MULTI-SLOT**



**PTBT, AVAILABLE SIZES**

Inlet Size	C	L
6" (152) Oval	6 1/4" (159)	24" (610) - 60" (1524)
8" (203) Oval	9 3/8" (238)	24" (610) - 60" (1524)
10" (254) Oval	12 1/2" (317)	24" (610) - 60" (1524)

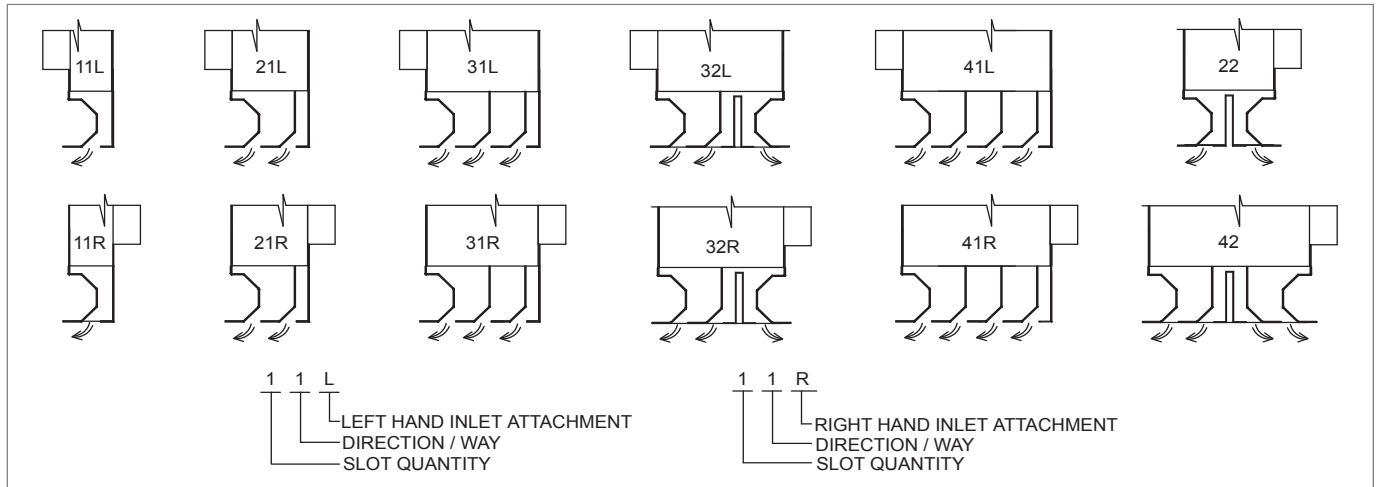
NOTE: Dimensions in parentheses are mm.

**PTBT, FACE WIDTH**

Pattern	W
11L / 11R	2" (51)
21L / 21R	3 1/2" (89)
31L / 31R	5" (127)
41L / 41R	6 1/2" (165)
22	4 3/8" (111)
32L / 32R	5 7/8" (149)
42	7 3/8" (187)

**PTBT Pattern Designations**

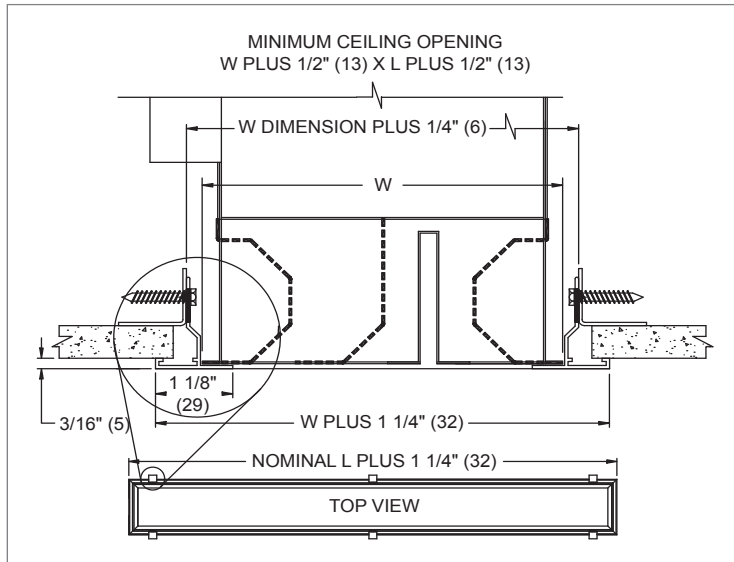
**PTBT, PATTERN DESIGNATIONS**



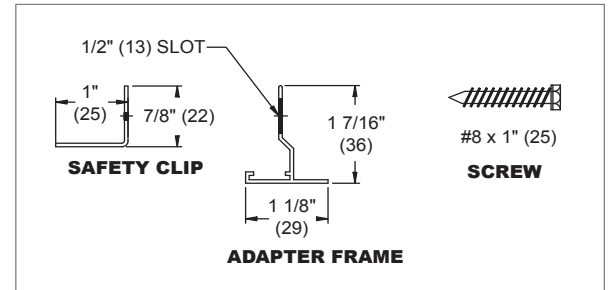
PLENUM SLOT DIFFUSERS

**PTBT Plaster Frame**

**PTBT, PLASTER FRAME ASSEMBLY**



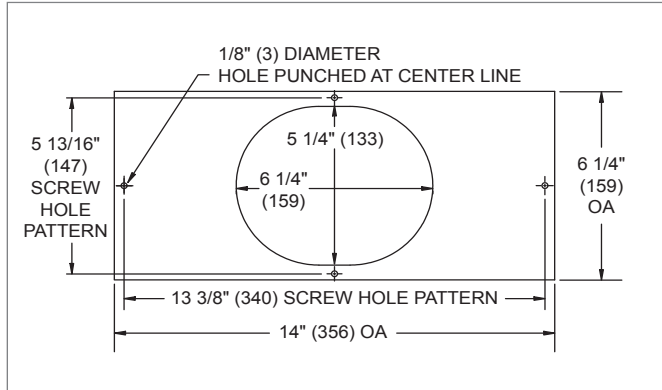
**PTBT, PLASTER FRAME SAFETY CLIP, ADAPTER FRAME, AND SCREW DETAILS**



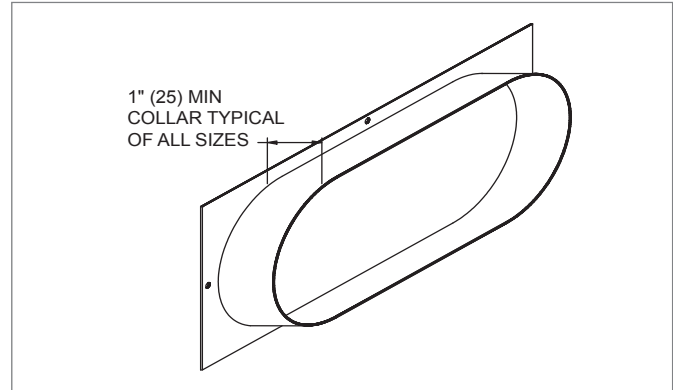
NOTE: Dimensions in parentheses are mm.

**PTBT Inlet Collars**

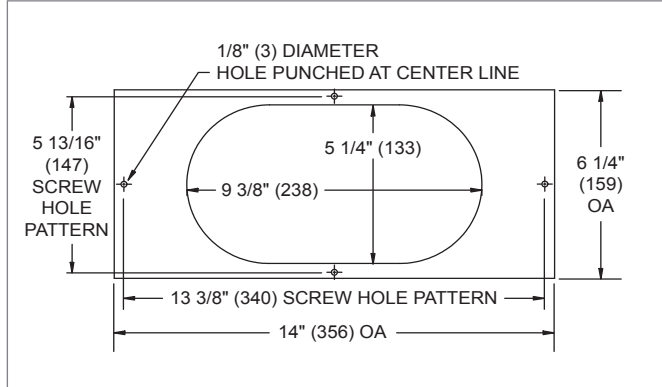
**PTBT, INLET COLLAR, SIZE 6**



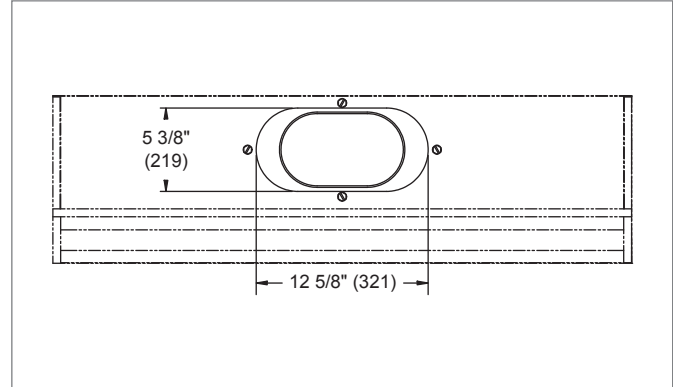
**PTBT, INLET COLLAR ISOMETRIC VIEW**



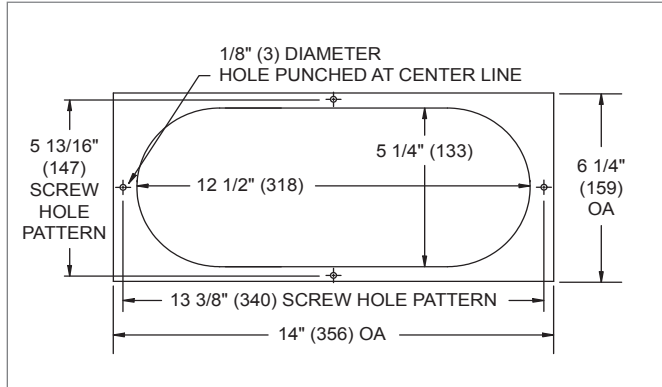
**PTBT, INLET COLLAR, SIZE 8**



**PTBT, CLEARANCE HOLE DETAIL**



**PTBT, INLET COLLAR, SIZE 10**



**PTBT, AVAILABLE INLET SIZES**

Nominal Inlet
6" (152) Oval
8" (203) Oval
10" (254) Oval

NOTE: Dimensions in parentheses are mm.

PLENUM SLOT DIFFUSERS

PTBT