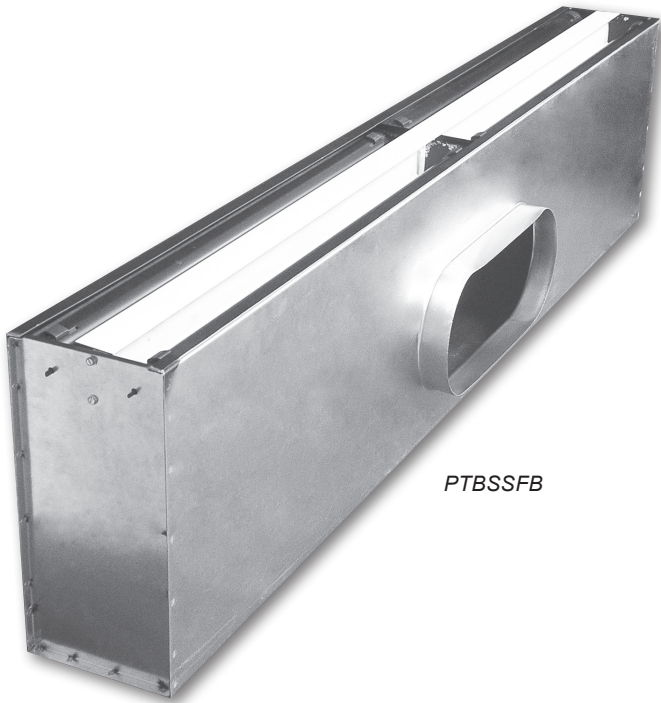


PLENUM SLOT DIFFUSERS



PTBSSFB

Introduction: PTBSS, PTBSSFB, PFTBS —

The PTBSS (or fire rated, PFTBS) series plenum slot diffuser features a curved blade that directs a horizontal discharge air pattern. The PTBSS blades are shipped loose for field installation or the factory can mount the blades (PTBSSFB). The plenum is an integral part of the diffuser and has a drawn inlet collar to prevent plenum air leakage and simplify installation of the diffuser. The fixed horizontal discharge air pattern makes Krueger's PTBSS series diffuser an ideal choice for tenant areas that have short tenant life cycles and VAV cooling applications.

MODELS

- PTBSS - Plenum Slot Diffuser with a Fixed Steel Blade, Shipped Loose
- PTBSSFB - Plenum Slot Diffuser with a Fixed Steel Blade, Factory Installed
- PFTBS - Fire Rated, Plenum Slot Diffuser with a Fixed Steel Blade (Factory Installed)

FEATURES

- Slots: 1 or 2.
- Slot Widths: 1" and 1 1/2".
- Lengths: 24", 36", 48", and 60".
- Double metal thickness at slot face for rigidity and straightness.

ACCESSORIES

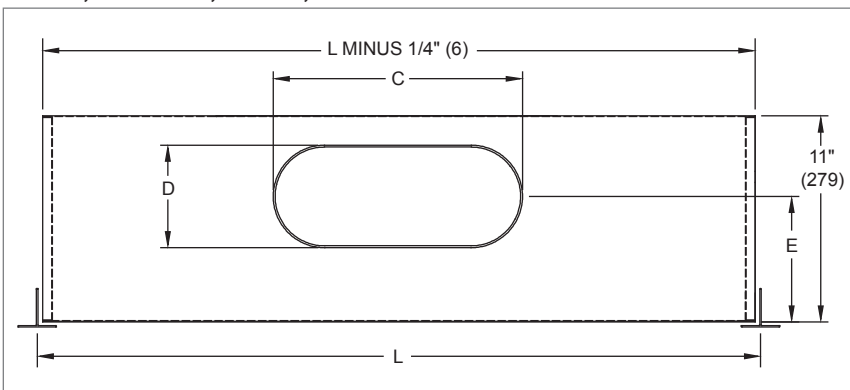
- Factory Installed T-Bars

FINISHES

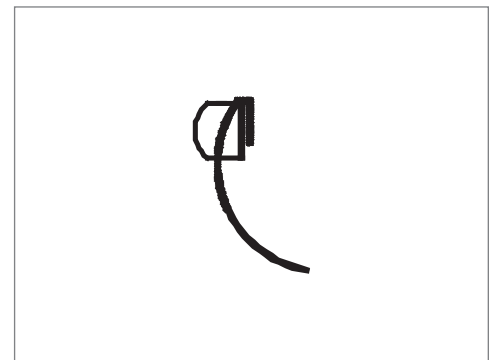
- Standard finish is black face with optional white tees.
- Optional finishes available.

PTBSS, PTBSSFB, PFTBS Dimensional Information

PTBSS, PTBSSFB, PFTBS, INLET SIDE VIEW



PTBSS, PTBSSFB, PFTBS, PATTERN CONTROLLER



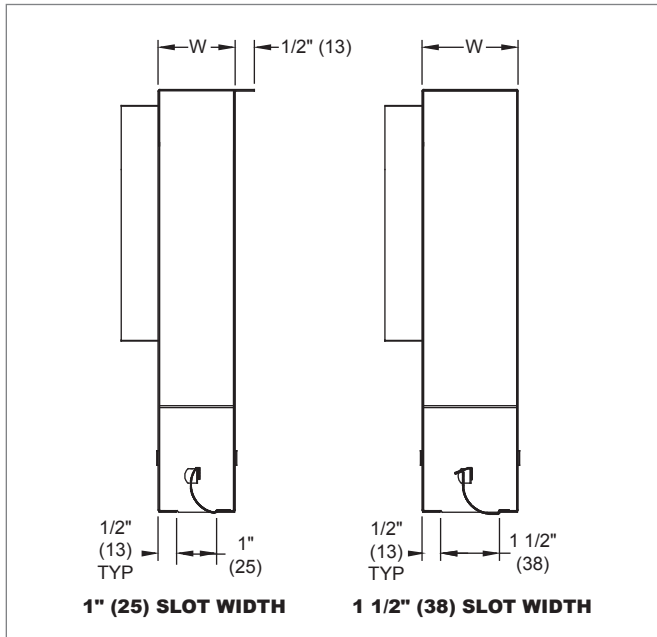
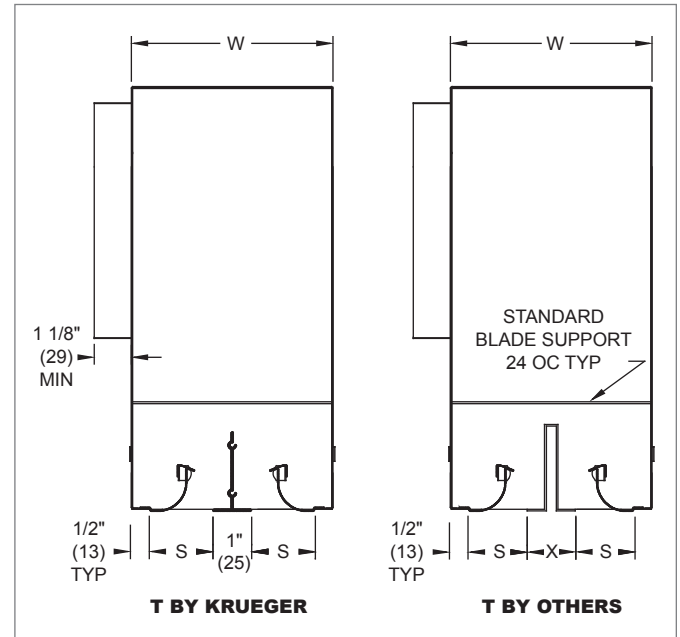
PTBSS, PTBSSFB, PFTBS, AVAILABLE SIZES

Inlet Size	C	D	E	L
5" (127) Round	4 7/8" (124)	4 7/8" (124)	6 3/16" (157)	24" (610) - 36" (914)
6" (152) Oval	6 1/4" (159)	5 1/4" (133)	6 3/8" (162)	24" (610) - 60" (1524)
8" (203) Oval	9 3/8" (238)	5 1/4" (133)	6 3/8" (162)	24" (610) - 60" (1524)
10" (254) Oval	12 1/2" (318)	5 1/4" (133)	6 3/8" (162)	24" (610) - 60" (1524)
12" (305) Oval	15 9/16" (395)	5 1/4" (133)	6 3/8" (162)	48" (1219) - 60" (1524)

NOTE: Dimensions in parentheses are mm.

P
T
B
S
S
-
P
T
B
S
S
F
B

© KRUEGER 2012

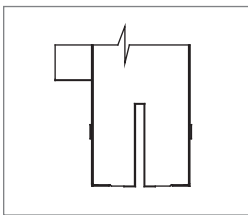
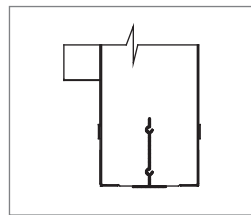
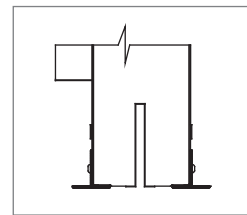
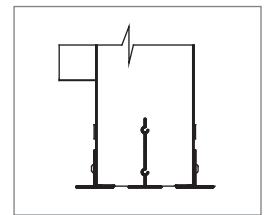
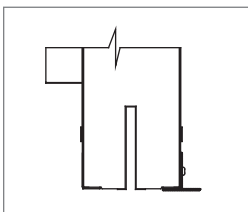
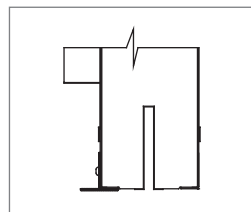
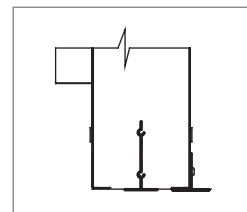
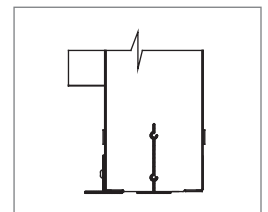
PTBSS, PTBSSFB Dimensional Information
PTBSS, PTBSSFB, 1-SLOT, CROSS SECTION

PTBSS, PTBSSFB, 2-SLOT, CROSS SECTION


PLENUM SLOT DIFFUSERS

PTBSS, PTBSSFB, AVAILABLE SIZES

S	L	1 Slot		2 Slot	
		W	W	X	
1" (25)	24" (610)	2" (51)	4" (102)	1" (25)	
	36" (914)				
	48" (1219)				
	60" (1524)				
1 1/2" (38)	24" (610)	2 1/2" (64)	5 1/4" (133)	1 1/4" (32)	
	36" (914)				
	48" (1219)				
	60" (1524)				

NOTE: Dimensions in parentheses are mm.

FRAME 23A, T BY OTHERS

FRAME 23B, CENTER T ONLY

FRAME 23C, T ON BOTH ENDS

FRAME 23D, CENTER & OUTER T

FRAME 23EL, T OPPOSITE OF INLET

FRAME 23ER, T ON INLET SIDE

FRAME 23GL, T ON CENTER & OPPOSITE INLET

FRAME 23GR, T ON CENTER & INLET SIDE


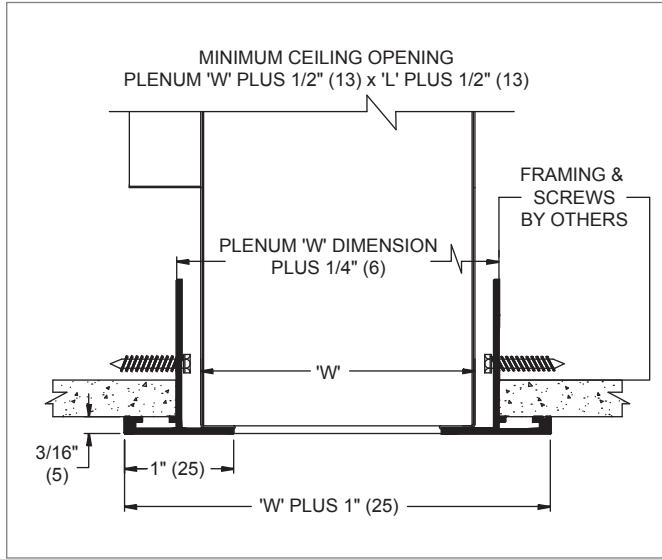
PTBSS - PTBSSFB

PTBSS, PTBSSFB | Curved Blade

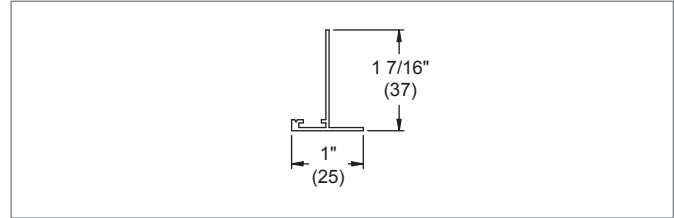
PTBSS, PTBSSFB Accessories for Frame 23 Lay-In T-Bar

PLENUM SLOT DIFFUSERS

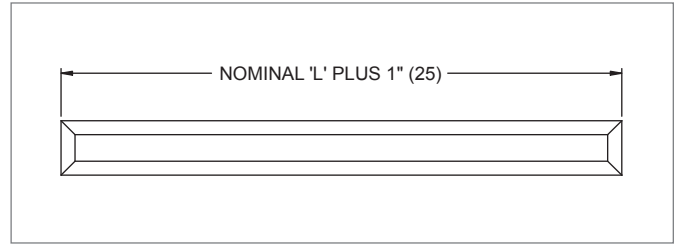
PTBSS, PTBSSFB, PLASTER FRAME ASSEMBLY



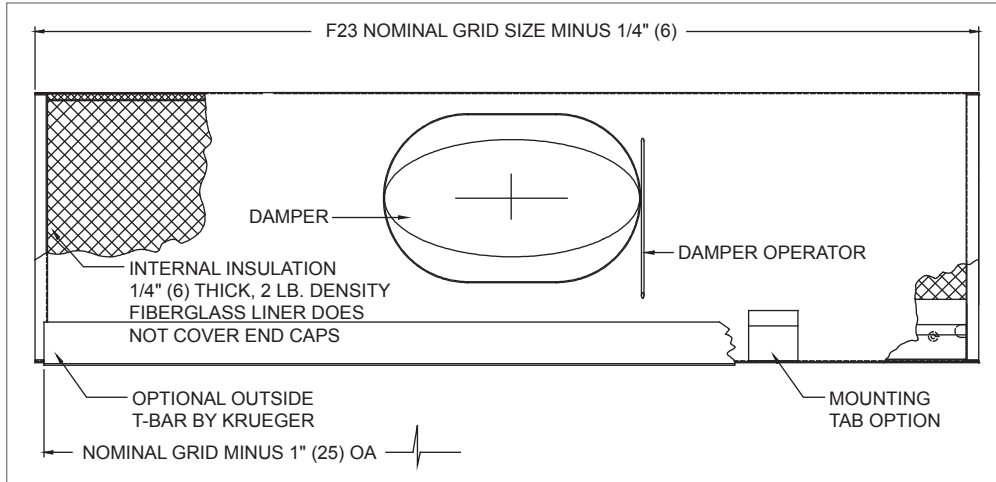
PTBSS, PTBSSFB, PLASTER FRAME ADAPTER, CROSS SECTION



PTBSS/PTBSSFB/PFTBS, PLASTER FRAME, FACE VIEW

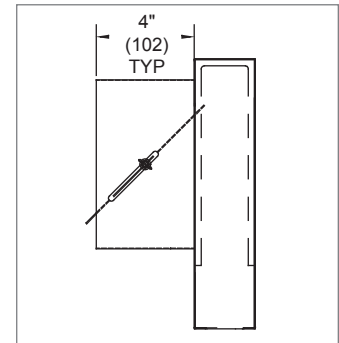


PTBSS, PTBSSFB, CENTER NOTCH DETAIL (CN)

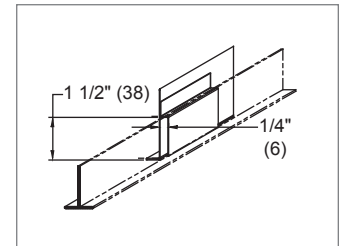


NOTES: Dimensions in parentheses are mm.
 MTT1 uses mounting tabs opposite of inlet. MTT2 uses mounting tabs on both sides.
 CN = Center Notch; CNT1 = CN+MTT1; CNT2 = CN+MTT2

PTBSS, PTBSSFB, QUADRANT DAMPER (QD)



PTBSS, PTBSSFB, MOUNTING TABS (MTT)



P
T
B
S
S
-
P
T
B
S
S
F
B