

## Introduction: PTBS

The PTBS series plenum slot diffuser features a unique, gasketed aluminum blade that rotates for easy adjustment from horizontal flow to vertical flow. The PTBS blades can be locked into a discharge position by tightening the blade screws at each end of the diffuser to provide consistent performance after system balance. The plenum is an integral part of the diffuser and has a drawn inlet collar to prevent plenum air leakage and simplify installation of the diffuser. The fully adjustable discharge air pattern from horizontal to vertical and any point in between makes Krueger's PTBS series diffuser an ideal choice for perimeter heating and VAV cooling applications.

### MODEL

PTBS - Plenum Slot Diffuser, Gasketed Aluminum Blade, Steel Plenum Construction

### FEATURES

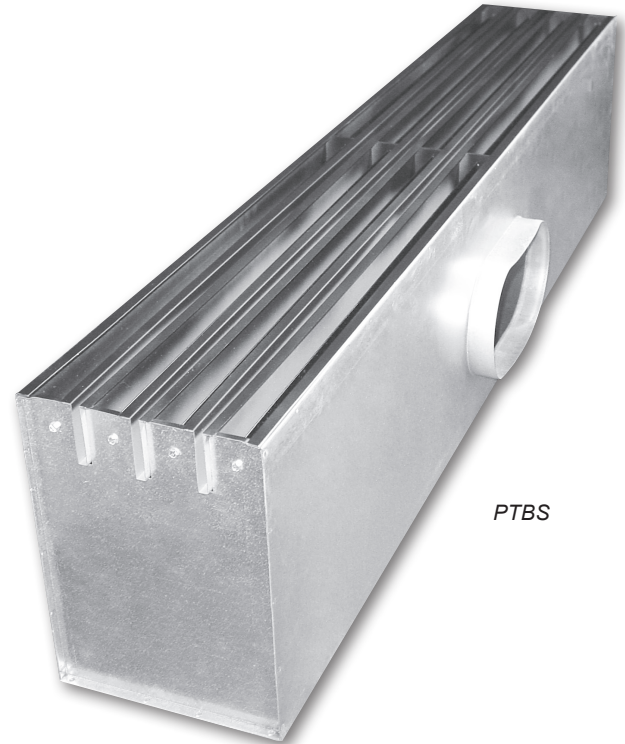
- Slots: 1, 2, 3, or 4.
- Slot Widths: 3/4", 1", and 1 1/2".
- Lengths: 24", 36", 48", and 60".
- Double metal thickness at slot face for rigidity and straightness.

### ACCESSORIES

- Quadrant Damper
- Insulation
- Mounting Tabs
- Plaster Frame

### FINISHES

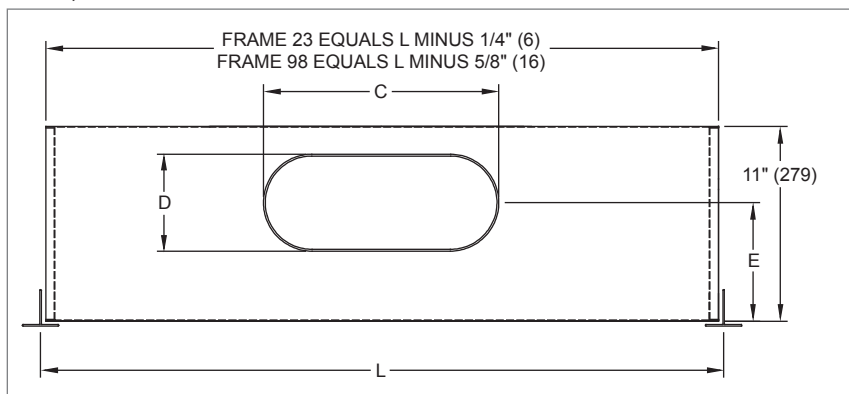
- Standard finish is black face with optional white tees.
- Optional finishes available.



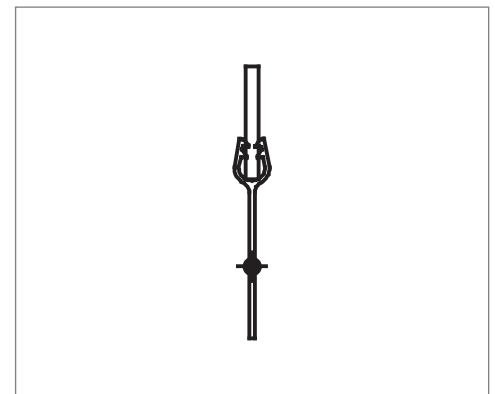
PLENUM SLOT DIFFUSERS

## PTBS Dimensional Information

### PTBS, INLET SIDE VIEW



### PTBS, PATTERN CONTROLLER



### PTBS, AVAILABLE SIZES

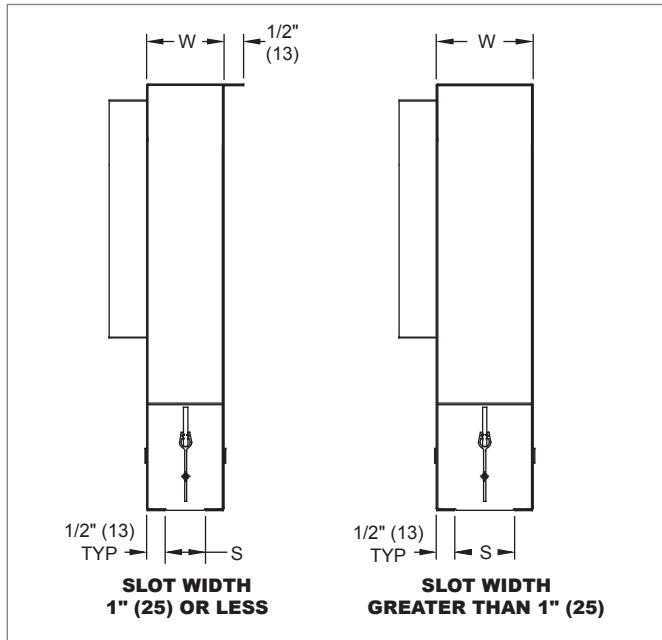
Inlet Size	C	D	E	L
5" (127) Round	4 7/8" (124)	4 7/8" (124)	6 3/16" (157)	24" (610) - 36" (914)
6" (152) Oval	6 1/4" (159)	5 1/4" (133)	6 3/8" (162)	24" (610) - 60" (1524)
8" (203) Oval	9 3/8" (238)	5 1/4" (133)	6 3/8" (162)	24" (610) - 60" (1524)
10" (254) Oval	12 1/2" (318)	5 1/4" (133)	6 3/8" (162)	24" (610) - 60" (1524)
12" (305) Oval	15 9/16" (395)	5 1/4" (133)	6 3/8" (162)	48" (1219) - 60" (1524)

NOTE: Dimensions in parentheses are mm.

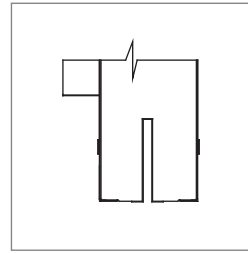
**PTBS Dimensional Information**

PLENUM SLOT DIFFUSERS

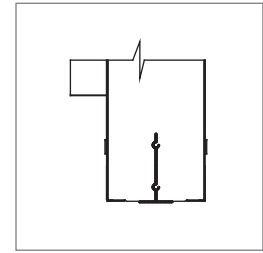
**PTBS, 1-SLOT, CROSS SECTION**



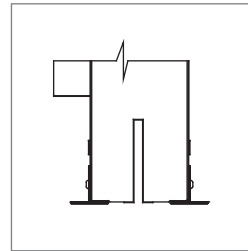
**FRAME 23A,  
T BY OTHERS**



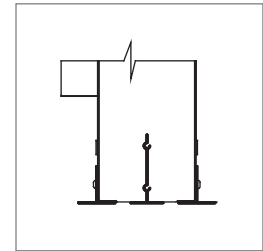
**FRAME 23B,  
CENTER T ONLY**



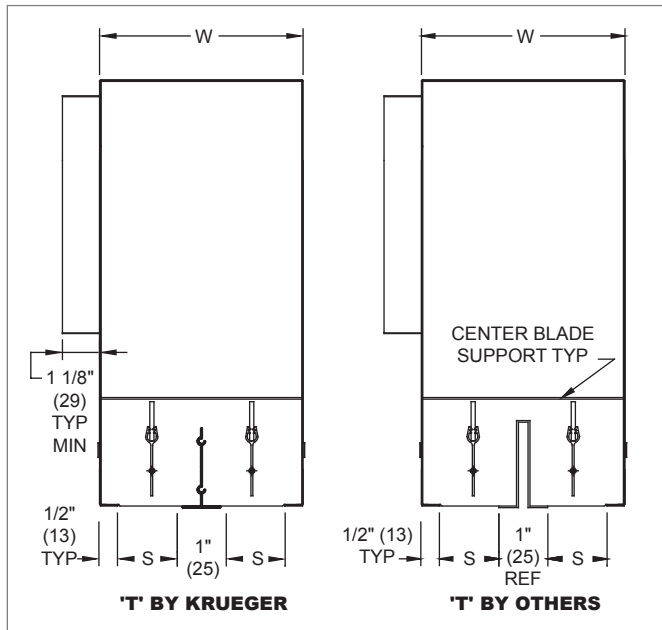
**FRAME 23C,  
T ON BOTH ENDS**



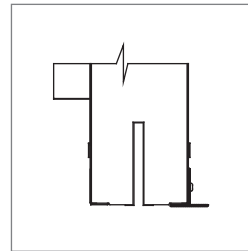
**FRAME 23D,  
CENTER & OUTER T**



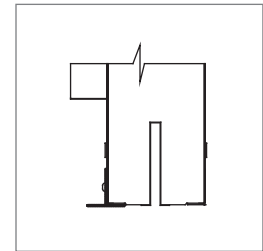
**PTBS, 2-, 3-, OR 4-SLOTS, CROSS SECTION**



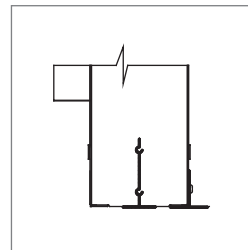
**FRAME 23EL,  
T OPPOSITE OF INLET**



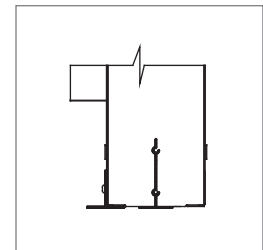
**FRAME 23ER,  
T ON INLET SIDE**



**FRAME 23GL,  
T ON CENTER &  
OPPOSITE INLET**



**FRAME 23GR,  
T ON CENTER &  
INLET SIDE**

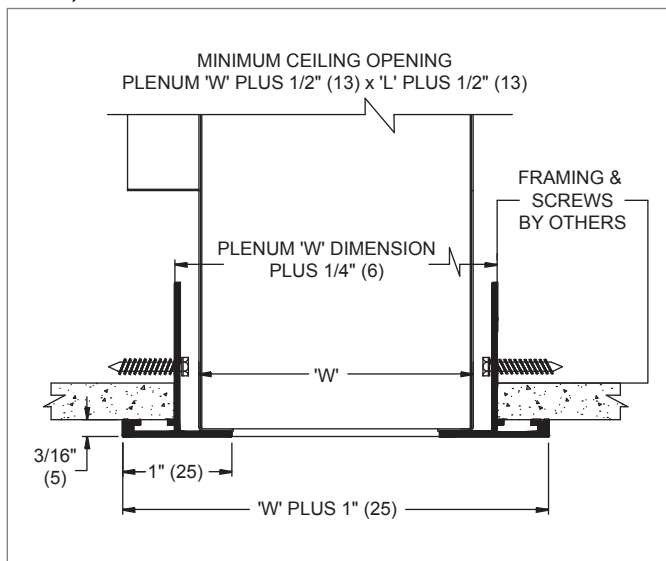
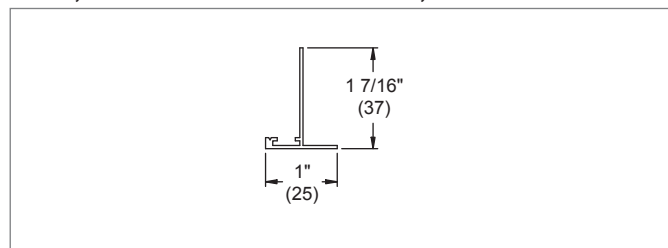
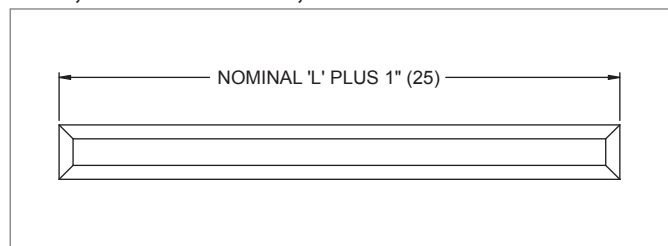
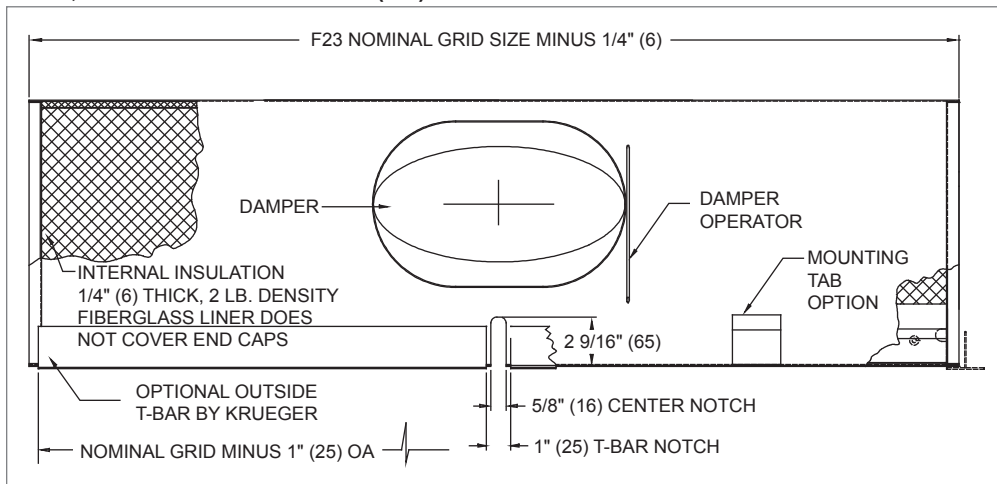


**PTBS, AVAILABLE SIZES**

S	W			
	1 Slot	2 Slot	3 Slot	4 Slot
3/4" (19)	1 3/4" (44)	3 1/2" (89)	5 1/4" (133)	7" (178)
1" (25)	2" (51)	4" (102)	6" (152)	8" (203)
1 1/2" (38)	2 1/2" (64)	5" (127)	7 1/2" (191)	10" (254)

NOTE: Dimensions in parentheses are mm.

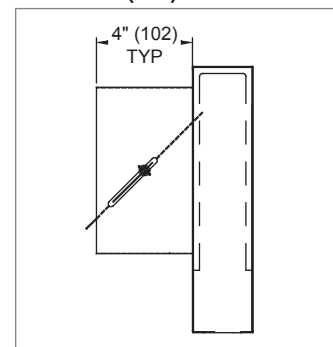
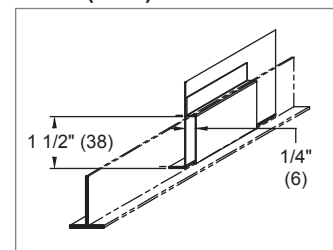
PTBS

**PTBS Accessories for Frame 23 Lay-In T-Bar**
**PTBS, PLASTER FRAME ASSEMBLY**

**PTBS, PLASTER FRAME ADAPTER, CROSS SECTION**

**PTBS, PLASTER FRAME, FACE VIEW**

**PTBS, CENTER NOTCH DETAIL (CN)**


NOTES: Dimensions in parentheses are mm.

MTT1 uses mounting tabs opposite of inlet. MTT2 uses mounting tabs on both sides.

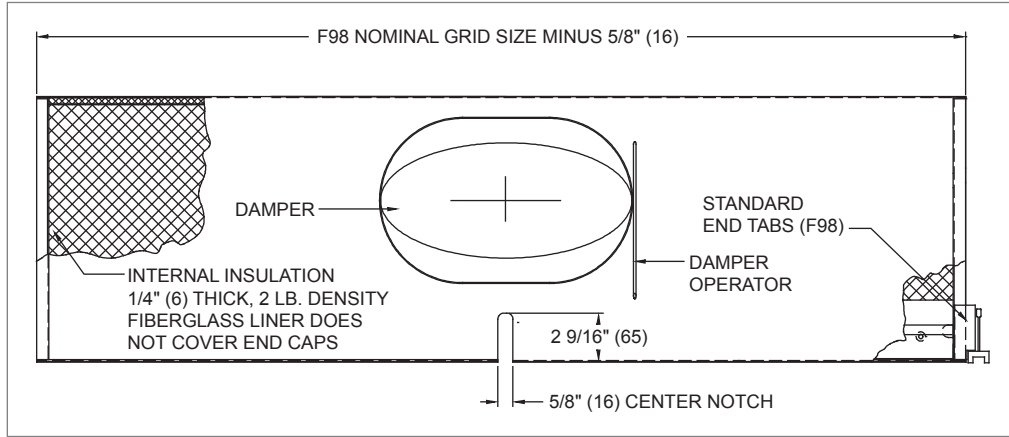
CN = Center Notch; CNT1 = CN+MTT1; CNT2 = CN+MTT2

**PTBS, QUADRANT DAMPER (QD)**

**PTBS, MOUNTING TABS (MTT)**


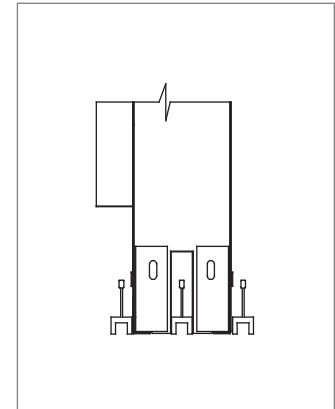
PTBS | Gasketed Aluminum Blade

**PTBS Accessories for Frame 98 Narrow-T**

**PTBS, CENTER NOTCH, INLET SIDE VIEW (CN)**

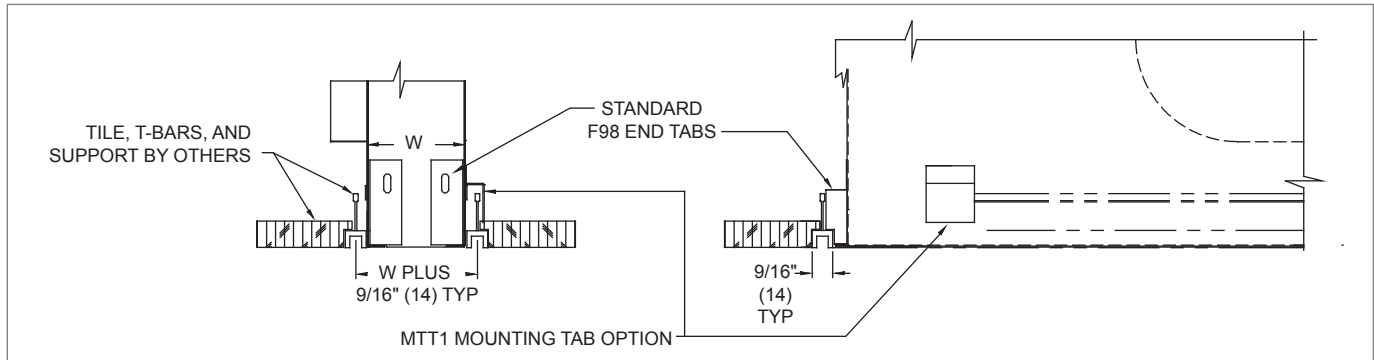


**PTBS, FRAME 98, NARROW-T**

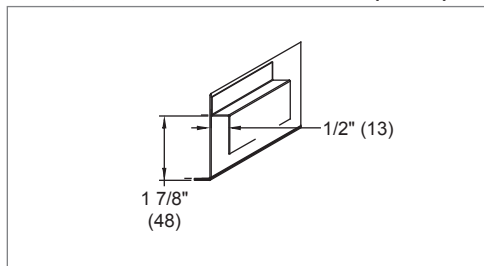


NOTE: All T's by others.

**PTBS, END & SIDE MOUNTING TABS (MTT1)**



**PTBS, MOUNTING TAB DETAIL (MTT1)**

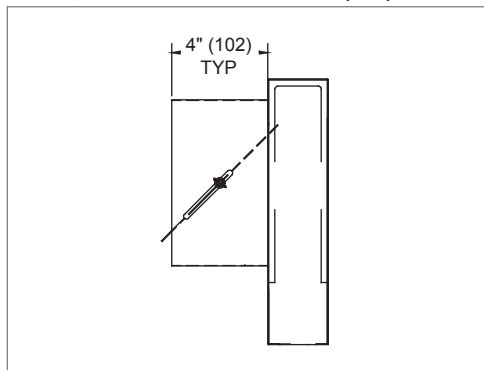


**PTBS, AVAILABLE SIZES**

S	W	
	1 Slot	2 Slot
3/4" (19)	1 3/4" (44)	3 1/2" (89)
1" (25)	2" (51)	4" (102)
1 1/2" (38)	2 1/2" (64)	5" (127)

NOTES: Dimensions in parentheses are mm.  
Tees shown for detail only. All Tees by others.  
MTT1 uses mounting tabs opposite of inlet.  
CN = Center Notch; CNT1 = CN+MTT1

**PTBS, QUADRANT DAMPER (QD)**



PLENUM SLOT DIFFUSERS

PTBS