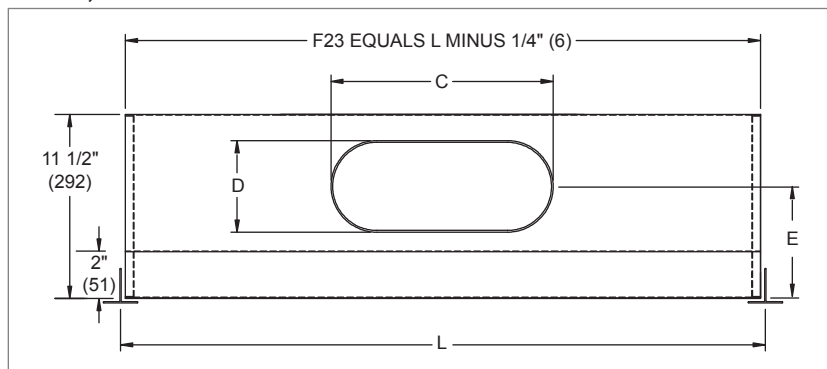
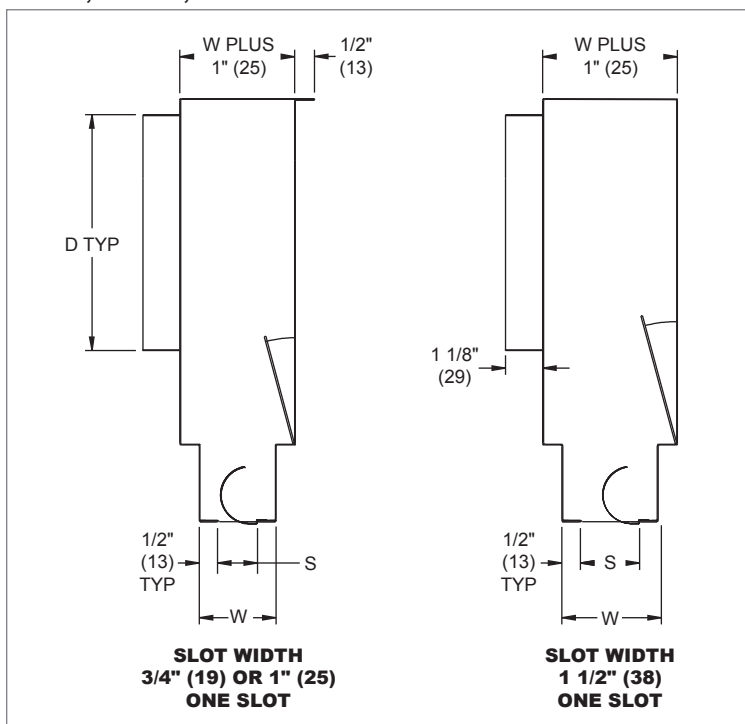
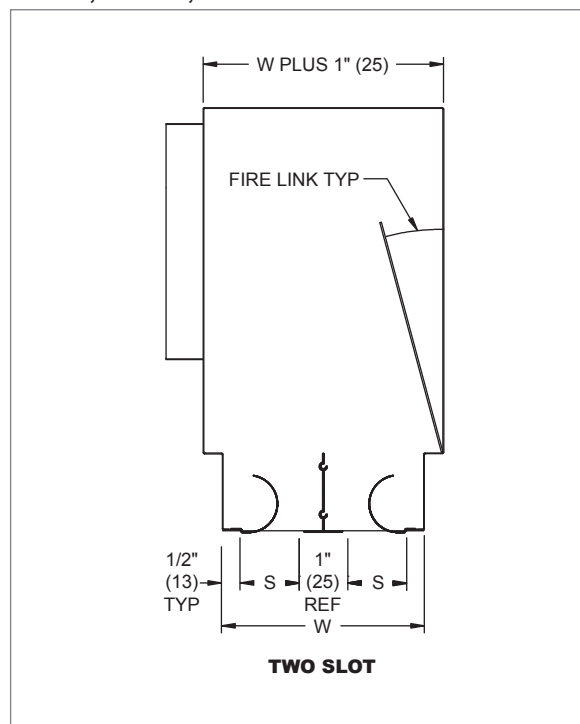


PFTBS Dimensional Information


The PFTBS offers the safety of fire rated performance with the proven PTBSS series diffuser. It is intended for use with Lay-in T-Bar application involving fire rated ceiling designs. It combines flexibility with all

of the features of the standard PTBSS and is available exclusively in steel.

PFTBS comes standard as a UL 263 classified assembly which incorporates a 3-hour rated fire damper.

PFTBS, INLET VIEW

PFTBS, 1-SLOT, CROSS SECTION

PFTBS, 2-SLOT, CROSS SECTION

PFTBS, AVAILABLE INLET SIZES

Inlet Size	C	D	E	L
5" (127) Round	4 7/8" (124)	4 7/8" (124)	7 7/8" (200)	24" (610), 36" (914)
6" (152) Round	5 7/8" (149)	5 7/8" (149)	7 7/8" (200)	24" (610), 36" (914), 60" (1524)
7" (178) Round	6 7/8" (175)	6 7/8" (175)	7 7/8" (200)	24" (610), 36" (914), 60" (1524)
8" (203) Round	7 7/8" (200)	7 7/8" (200)	7 7/8" (200)	24" (610), 36" (914), 60" (1524)
10" (254) Oval	12 1/2" (318)	5 1/4" (133)	7 7/8" (200)	24" (610), 36" (914)
12" (305) Oval	14 1/8" (359)	7 7/8" (200)	6 1/4" (159)	48" (1219)

PFTBS, AVAILABLE SLOT SIZES

S	W	
	1 Slot	2 Slot
3/4" (19)	1 3/4" (44)	3 1/2" (89)
1" (25)	2" (51)	4" (102)
1 1/2" (38)	2 1/2" (64)	5" (127) *

NOTES: Dimensions in parentheses are mm.

*2-Slot, 1 1/2" Slot Width is not available with UL rating.