

PTBA

Introduction: PTBA

The PTBA series plenum slot diffuser features “ice tong” blades that allow for adjustment from horizontal flow to vertical flow. The “ice tong” blades allow the occupant to easily adjust the airflow pattern depending on airflow requirements. The plenum is an integral part of the diffuser and has a drawn inlet collar to prevent plenum air leakage and simplify installation of the diffuser. The fully adjustable discharge air pattern from horizontal to vertical and any point in between makes Krueger’s PTBA series diffuser an ideal choice for perimeter heating and VAV cooling applications.

MODEL

PTBA - Plenum Slot Diffuser with ‘Ice Tong’ Type Blades

FEATURES

- Slots: 1, 2, 3, or 4.
- Slot Widths: 3/4” and 1”.
- Lengths: 24”, 36”, 48”, and 60”.
- Adjustable extruded aluminum blades.
- Double metal thickness at slot face for rigidity and straightness.

ACCESSORIES

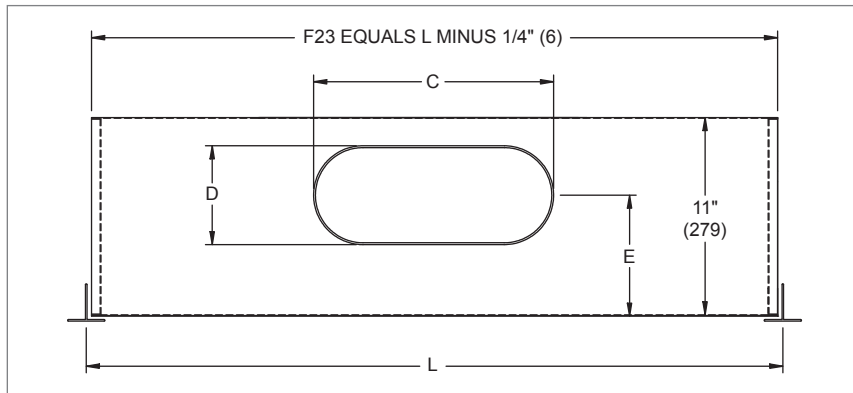
- Quadrant Damper
- Insulation
- Mounting Tabs
- Plaster Frame

FINISHES

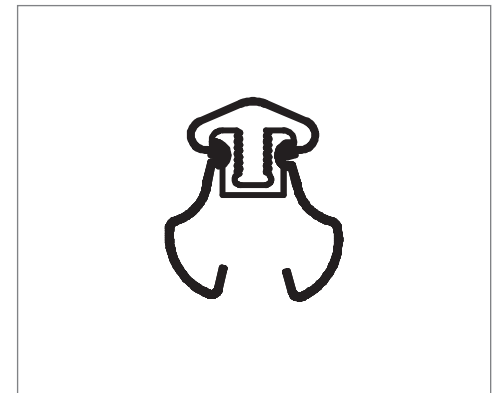
- Standard finish is black face with optional white tees.
- Optional finishes available.

PTBA Dimensional Information

PTBA, INLET SIDE VIEW



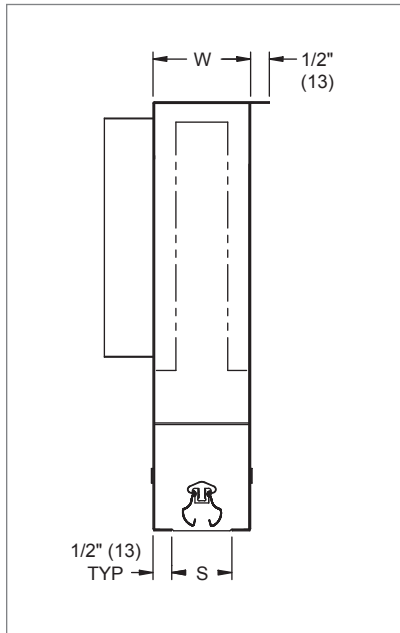
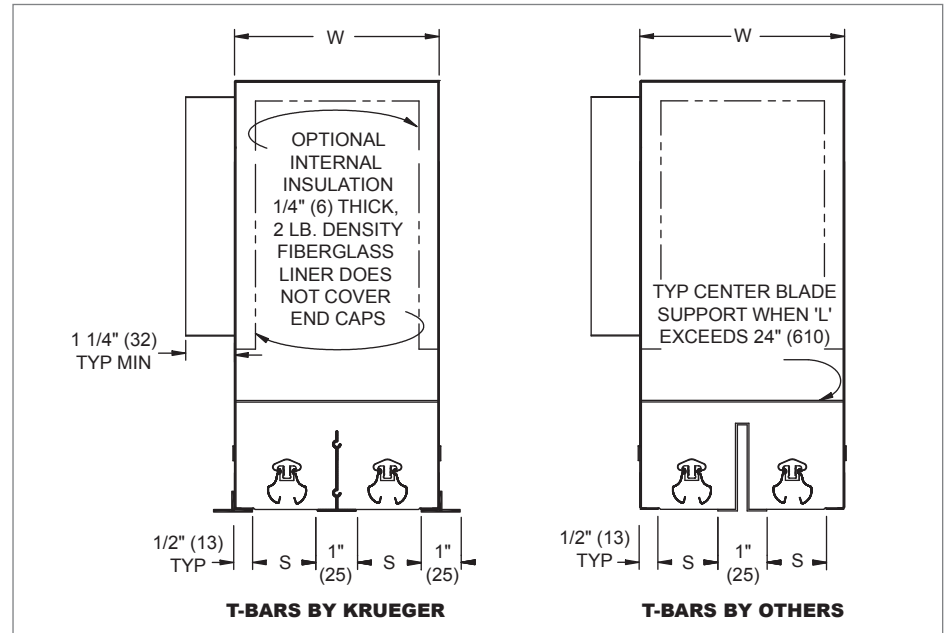
PTBA, PATTERN CONTROLLER



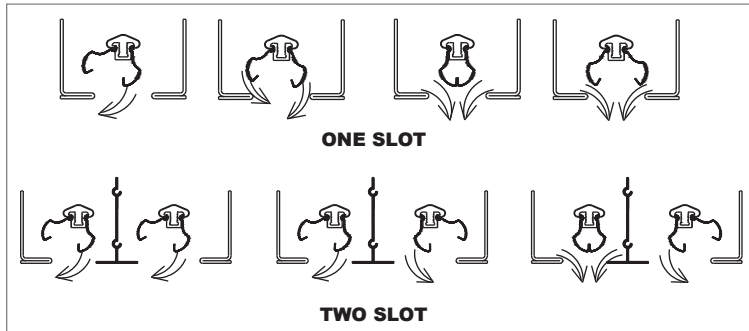
PTBA, AVAILABLE SIZES

Inlet Size	C	D	E	L
5" (127) Round	4 7/8" (124)	4 7/8" (124)	6 3/16" (157)	24" (610) - 36" (914)
6" (152) Oval	6 1/4" (159)	5 1/4" (133)	6 3/8" (162)	24" (610) - 60" (1524)
8" (203) Oval	9 3/8" (238)	5 1/4" (133)	6 3/8" (162)	24" (610) - 60" (1524)
10" (254) Oval	12 1/2" (318)	5 1/4" (133)	6 3/8" (162)	24" (610) - 60" (1524)
12" (305) Oval	15 9/16" (395)	5 1/4" (133)	6 3/8" (162)	48" (1219) - 60" (1524)

NOTE: Dimensions in parentheses are mm.

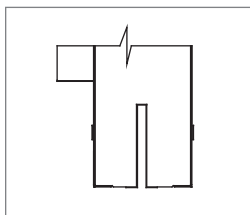
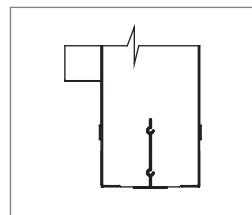
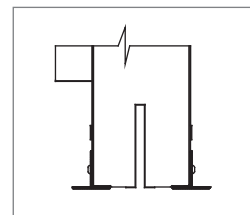
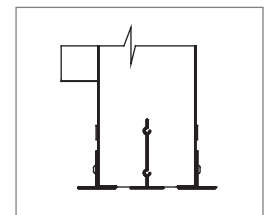
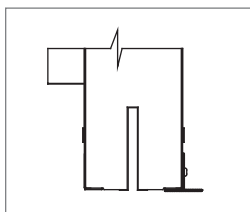
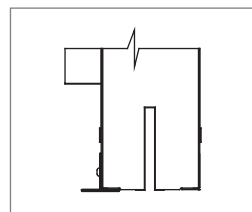
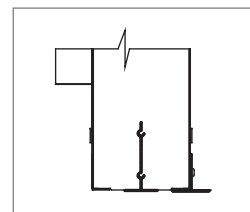
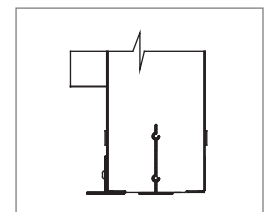
PTBA Dimensional Information
PTBA, 1-SLOT CROSS SECTION

PTBA, 2-SLOT CROSS SECTION


PLENUM SLOT DIFFUSERS

PTBA, ADJUSTABLE AIR DISCHARGE PATTERNS

PTBA, AVAILABLE SIZES

S	W			
	1-Slot	2-Slot	3-Slot	4-Slot
3/4" (19)	1 3/4" (44)	3 1/2" (89)	5 1/4" (133)	7" (178)
1" (25)	2" (51)	4" (102)	6" (152)	8" (203)

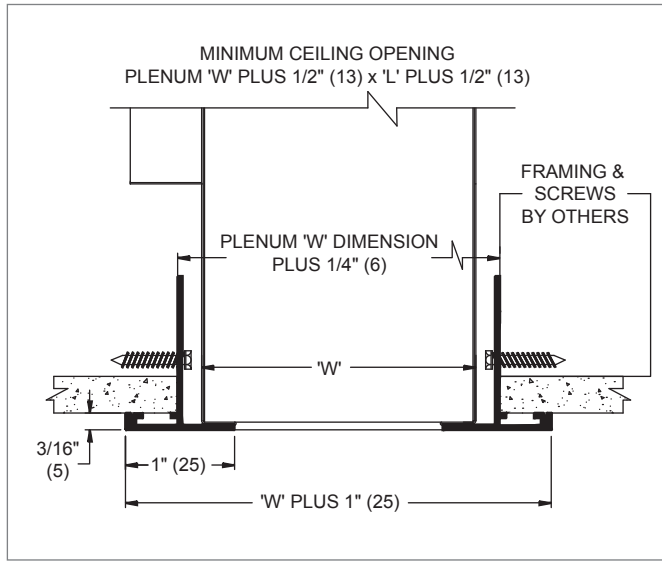
NOTE: Dimensions in parentheses are mm.

FRAME 23A, T BY OTHERS

FRAME 23B, CENTER T ONLY

FRAME 23C, T ON BOTH ENDS

FRAME 23D, CENTER & OUTER T

FRAME 23EL, T OPPOSITE OF INLET

FRAME 23ER, T ON INLET SIDE

FRAME 23GL, T ON CENTER & OPPOSITE INLET

FRAME 23GR, T ON CENTER & INLET SIDE


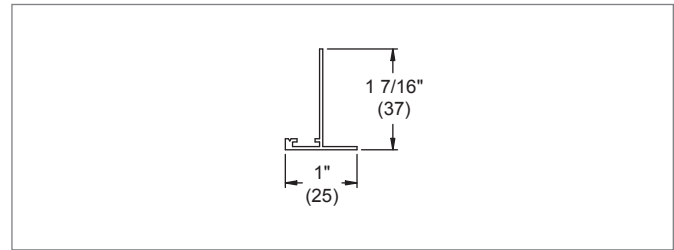
PTBA Accessories for Frame 23 Lay-In T-Bar

PLENUM SLOT DIFFUSERS

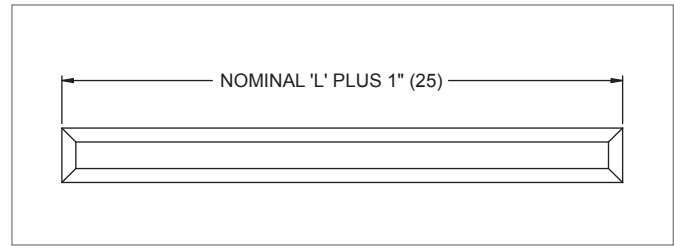
PTBA, PLASTER FRAME ASSEMBLY



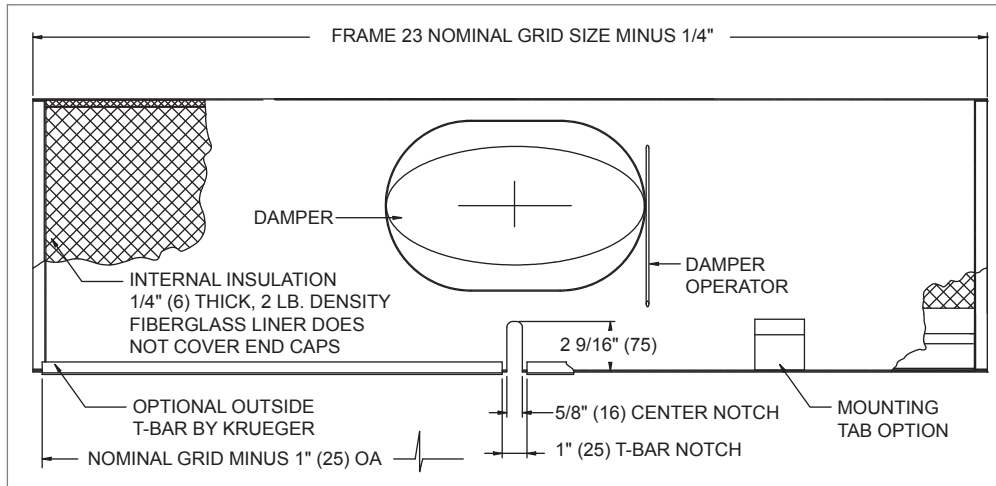
PTBA, PLASTER FRAME ADAPTER, CROSS SECTION



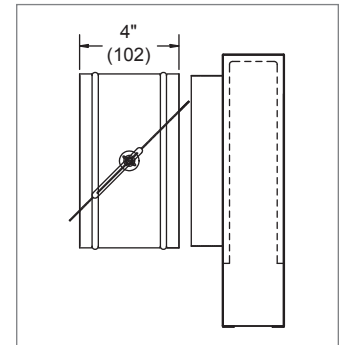
PTBA, PLASTER FRAME, FACE VIEW



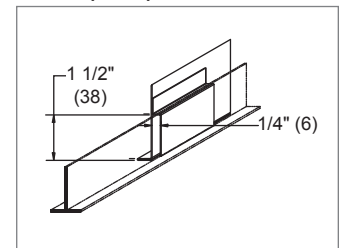
PTBA, CENTER NOTCH DETAIL (CN)



PTBA, QUADRANT DAMPER (QD)



PTBA, MOUNTING TABS (MTT)



NOTES: Dimensions in parentheses are mm.
 MTT1 uses mounting tabs opposite of inlet. MTT2 uses mounting tabs on both sides.
 CN = Center Notch; CNT1 = CN+MTT1; CNT2 = CN+MTT2

P
T
B
A