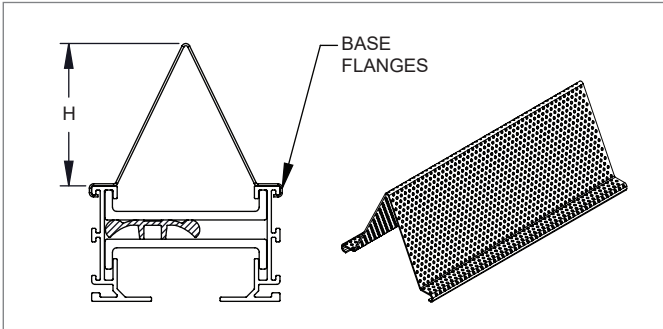
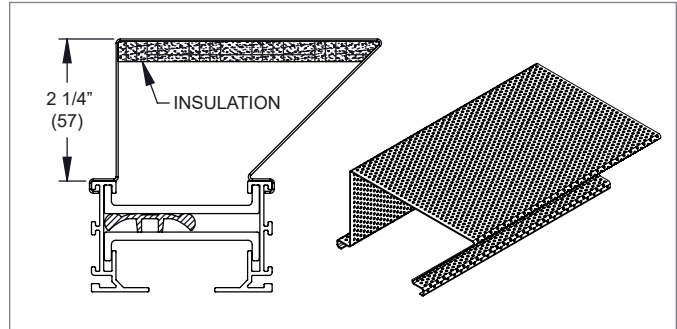


DFL Accessories: Return Hood (DFRH) & Blank-off (DFBO)

STANDARD RETURN HOOD (DFRH)



INSULATED RETURN HOOD (DFRH)



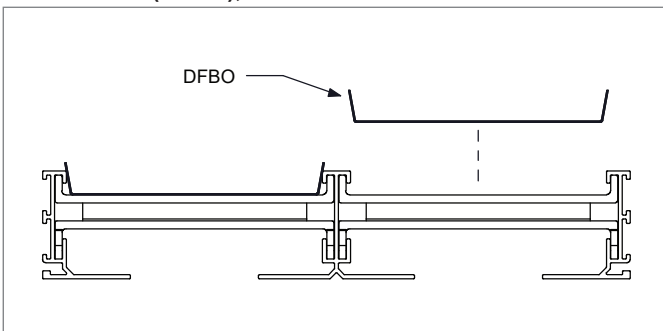
RETURN HOOD (DFRH), AVAILABLE SIZES

Model	Slot Width	1-Slot		2NV		2AB		Length
		Width	Height, H	Width	Height, H	Width	Height, H	
DFRH10	1" (25)	2 3/4" (70)	3 1/2" (89)	5 3/16" (132)	2" (51)	6 1/16" (154)	2" (51)	48" (1219)
DFRH15	1 1/2" (38)	3 3/4" (95)		7 3/16" (183)	3 3/16" (81)	8 1/16" (205)	3 3/16" (81)	
DFRH20	2" (51)	4 3/4" (121)		9 3/16" (233)	4 3/16" (106)	10 1/16" (256)	4 3/16" (106)	
DFRH25	2 1/2" (64)	5 3/4" (146)	7 1/8" (181)	11 3/16" (284)	5 3/16" (132)	12 1/16" (306)	5 3/16" (132)	
DFRH30	3" (76)	6 3/4" (171)		13 3/16" (335)	6 3/16" (157)	14 1/16" (357)	6 3/16" (157)	

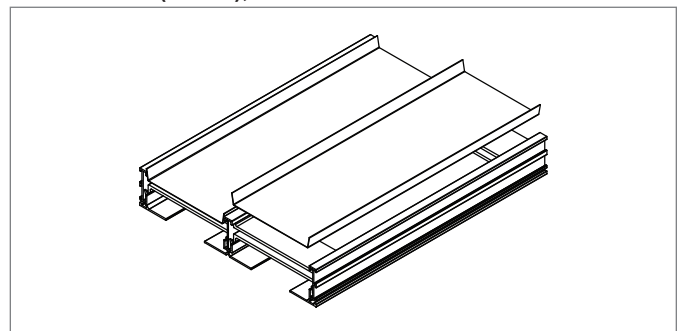
NOTES: Dimensions in parentheses are mm. Quadrant damper adds 6" (152) to inlet depth. Material is galvanized steel, painted black. Plenum is galvanized steel, Mill finish. Pieces ship 48" (1219) long, field cut. Returns are 51% perforated. Insulation is 1/4" (6) 2 lb. single density.

LINEAR SLOT DIFFUSERS

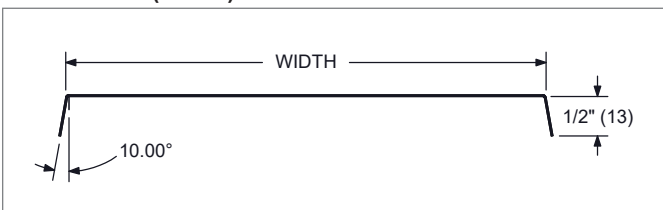
BLANK-OFF (DFBO), SIDE VIEW



BLANK-OFF (DFBO), ANGLED VIEWS



BLANK-OFF (DFBO)



RETURN HOOD (DFRH), DIMENSIONAL REFERENCES

Model	Width	Length
DFBO10	1 7/8" (47)	48" (1219)
DFBO15	2 7/8" (47)	
DFBO20	3 7/8" (47)	
DFBO25	4 7/8" (47)	
DFBO30	5 7/8" (47)	

NOTES: Dimensions in parentheses are mm. Pieces ship 48" (1219) long, field cut. Material is galvanized steel, painted black. Returns are 51% perforated.

© KRUEGER 2013

DESIGN FLO