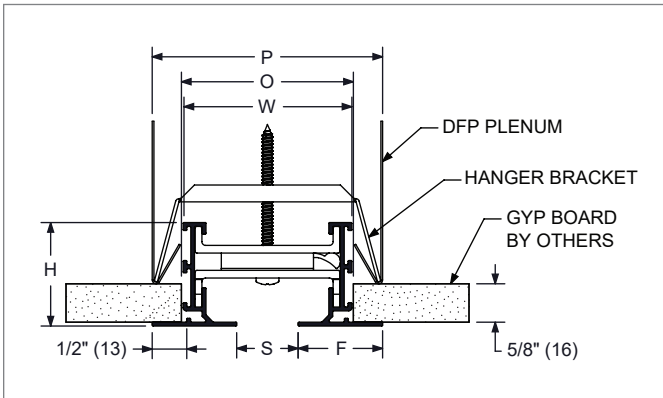
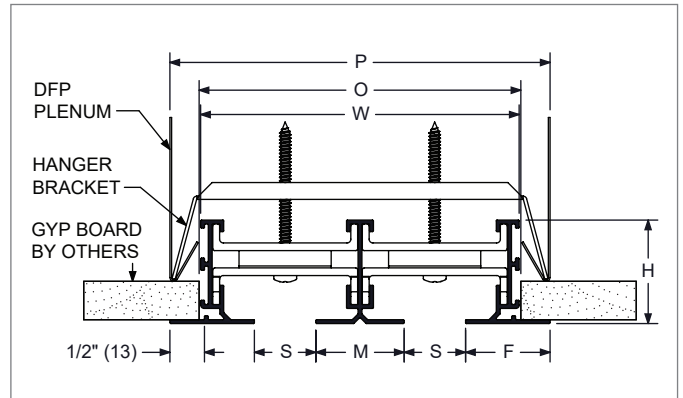
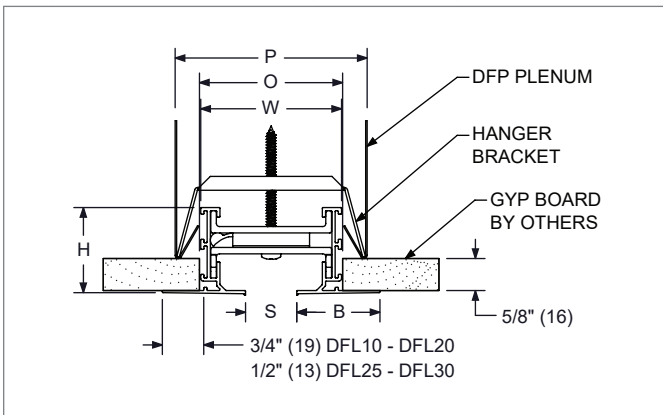
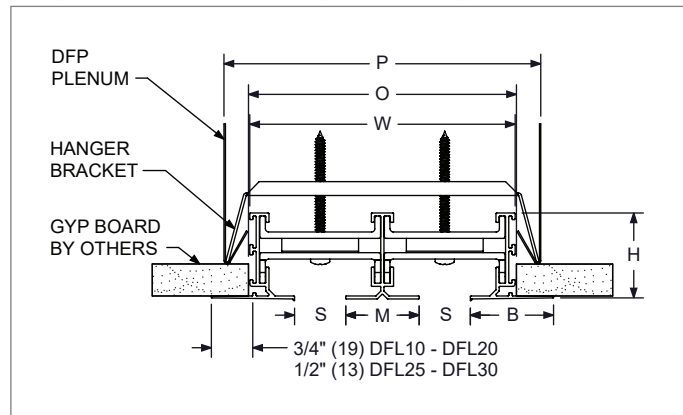


**DFL Concealed Mounting & Plenum (DFP)**
**DFL, CONCEALED MOUNT, FRAME FF, 1-SLOT**

**DFL, CONCEALED MOUNT, FRAME FF, 2NV-SLOT**

**DFL, CONCEALED MOUNT DIMENSIONAL DETAILS, FRAME FF**

Model	Slot	Frame	Height	1-Slot			2-Slot			
				Stack Width	Ceiling Opening	Plenum	Stack Width	Ceiling Opening	Plenum	Frame
				S	F	H	W	O	P	W
DFL10	1" (25)	1 3/8" (35)	1 11/16" (43)	2 3/4" (70)	3" (76)	3 3/4" (95)	5 3/16" (132)	5 1/2" (140)	6 3/16" (157)	1 7/16" (37)
DFL15	1 1/2" (38)	1 5/8" (41)	1 11/16" (43)	3 3/4" (95)	4" (102)	4 3/4" (121)	7 3/16" (183)	7 1/2" (191)	8 3/16" (208)	1 15/16" (49)
DFL20	2" (51)	1 7/8" (48)	1 11/16" (43)	4 3/4" (121)	5" (127)	5 3/4" (146)	9 3/16" (233)	9 1/2" (241)	10 3/16" (259)	2 7/16" (62)
DFL25	2 1/2" (64)	2 1/8" (54)	2 5/16" (59)	5 3/4" (146)	6" (152)	6 3/4" (171)	11 3/16" (284)	11 1/2" (292)	12 3/16" (310)	2 15/16" (75)
DFL30	3" (76)	2 3/8" (60)	2 5/16" (59)	6 3/4" (171)	7" (178)	7 3/4" (197)	13 3/16" (335)	13 1/2" (343)	14 3/16" (360)	3 7/16" (87)

NOTES: Dimensions in parentheses are mm. Standard HT Pattern Controller. Optional VT Pattern Controller available.

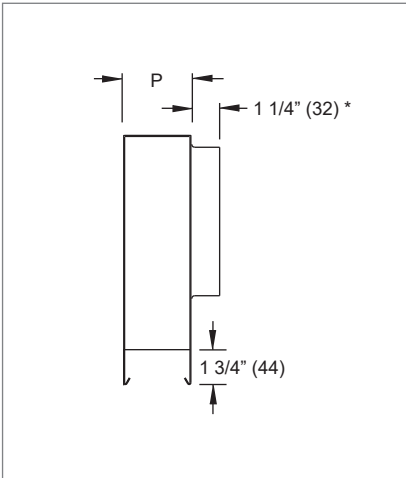
**DFL, CONCEALED MOUNT, FRAME BB, 1-SLOT**

**DFL, CONCEALED MOUNT, FRAME BB, 2NV-SLOT**

**DFL, CONCEALED MOUNT DIMENSIONAL DETAILS, FRAME BB**

Model	Slot	Frame	Height	1-Slot			2-Slot			
				Stack Width	Ceiling Opening	Plenum	Stack Width	Ceiling Opening	Plenum	Frame
				S	B	H	W	O	P	W
DFL10	1" (25)	1 5/8" (41)	1 11/16" (43)	2 3/4" (70)	3" (76)	3 3/4" (95)	5 3/16" (132)	5 1/2" (140)	6 3/16" (157)	1 7/16" (37)
DFL15	1 1/2" (38)	1 7/8" (48)	1 11/16" (43)	3 3/4" (95)	4" (102)	4 3/4" (121)	7 3/16" (183)	7 1/2" (191)	8 3/16" (208)	1 15/16" (49)
DFL20	2" (51)	2 1/8" (54)	1 11/16" (43)	4 3/4" (121)	5" (127)	5 3/4" (146)	9 3/16" (233)	9 1/2" (241)	10 3/16" (259)	2 7/16" (62)
DFL25	2 1/2" (64)	2 1/8" (54)	2 5/16" (59)	5 3/4" (146)	6" (152)	6 3/4" (171)	11 3/16" (284)	11 1/2" (292)	12 3/16" (310)	2 15/16" (75)
DFL30	3" (76)	2 3/8" (60)	2 5/16" (59)	6 3/4" (171)	7" (178)	7 3/4" (197)	13 3/16" (335)	13 1/2" (343)	14 3/16" (360)	3 7/16" (87)

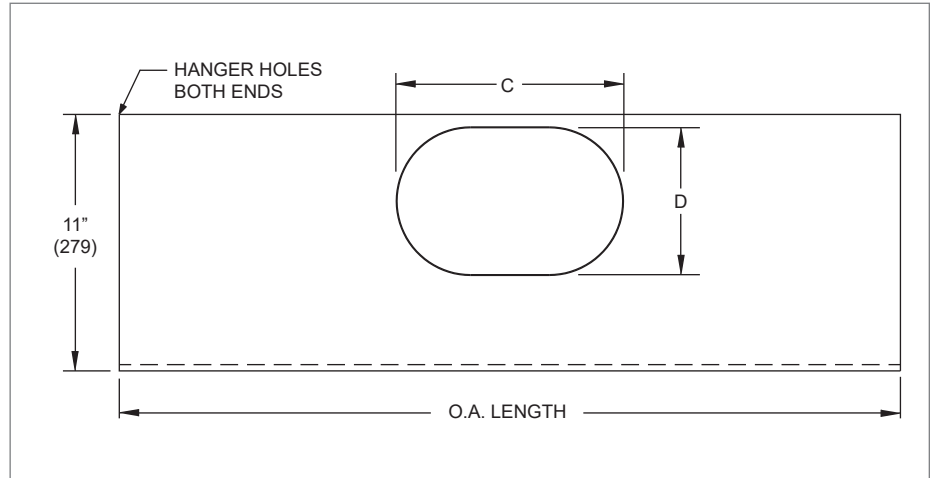
NOTES: Dimensions in parentheses are mm. Standard HT Pattern Controller. Optional VT Pattern Controller available.

**DFL Accessories: Plenum (DFP) with Concealed Mounting**

**PLENUM (DFP), CONCEALED MOUNT SIDE VIEW**



**PLENUM (DFP), CONCEALED MOUNT FACE VIEW**



**PLENUM (DFP), CONCEALED MOUNT DIMENSIONAL DETAILS**

Model	Width (P)			Nominal Length	O. A. Length
	Slot Qty				
	1	2NV	2AB		
DFP10	3 3/4" (95)	6 3/16" (157)	7 1/16" (179)	24" (610)	24" (610)
DFP15	4 3/4" (121)	8 3/16" (208)	9 1/16" (230)	36" (914)	36" (914)
DFP20	5 3/4" (146)	10 3/16" (259)	11 1/16" (281)	48" (1219)	48" (1219)
DFP25	6 3/4" (171)	12 3/16" (310)	13 1/16" (332)	60" (1524)	60" (1524)
DFP30	7 3/4" (197)	14 3/16" (360)	15 1/16" (383)	72" (1829)	72" (1829)

**PLENUM (DFP), CONCEALED MOUNT AVAILABLE INLET SIZES**

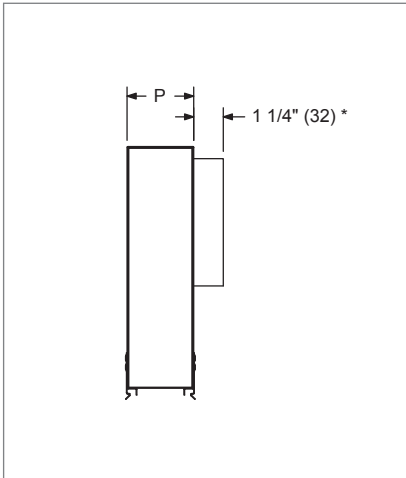
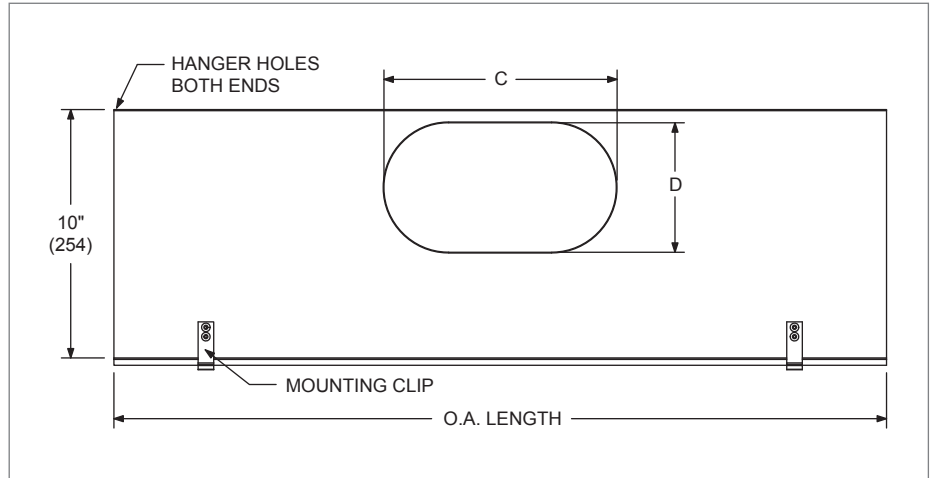
Inlet Size	C	D
6" Oval	6 1/4" (159)	5 1/4" (133)
8" Oval	9 3/8" (238)	5 1/4" (133)
10" Oval	12 1/2" (318)	5 1/4" (133)
12" Oval	14 1/8" (359)	7 7/8" (200)

NOTES: Dimensions in parentheses are mm. End caps are not insulated. Plenum is Mill finish galvanized steel. H-insulation is 1/4", 2 lb. single density Fiberglass and Y-insulation is 1/4" Fiber Free.

\* Quadrant damper adds 6" (152) to inlet depth.

LINEAR SLOT DIFFUSERS

DESIGN FLO

**DFL Accessories: Plenum (DFP) with Mounting Clips**
**PLENUM (DFP),  
MOUNTING CLIPS SIDE VIEW**

**PLENUM (DFP),  
MOUNTING CLIPS FACE VIEW**

**PLENUM (DFP), MOUNTING CLIPS DIMENSIONAL DETAILS**

Model	Plenum Width P			Nominal Length	O.A. Length
	Slot Quantity				
	1	2NV	2AB		
DFP10	2 3/4" (70)	5 1/4" (133)	6 1/16" (154)	24" (610)	21 3/4" (552)
DFP15	3 3/4" (95)	7 1/4" (184)	8 1/16" (205)	36" (914)	33 3/4" (857)
DFP20	4 3/4" (121)	9 1/4" (235)	10 1/16" (256)	48" (1219)	45 3/4" (1162)
DFP25	5 3/4" (146)	11 1/4" (286)	12 1/16" (306)	60" (1524)	57 3/4" (1467)
DFP30	6 3/4" (171)	13 1/4" (337)	14 1/16" (357)	72" (1829)	69 3/4" (1772)

NOTES: Dimensions in parentheses are mm. End caps are not insulated. Quadrant damper adds 6" (152) to inlet depth. Plenum is galvanized steel, Mill finish. H-insulation is 1/4", 2 lb. single density Fiberglass and Y-insulation is 1/4" Fiber Free.

**PLENUM (DFP), CONCEALED  
MOUNT AVAILABLE INLET SIZES**

Inlet Size	C	D
6" Oval	6 1/4" (159)	5 1/4" (133)
8" Oval	9 3/8" (238)	5 1/4" (133)
10" Oval	12 1/2" (318)	5 1/4" (133)
12" Oval	14 1/8" (359)	7 7/8" (200)