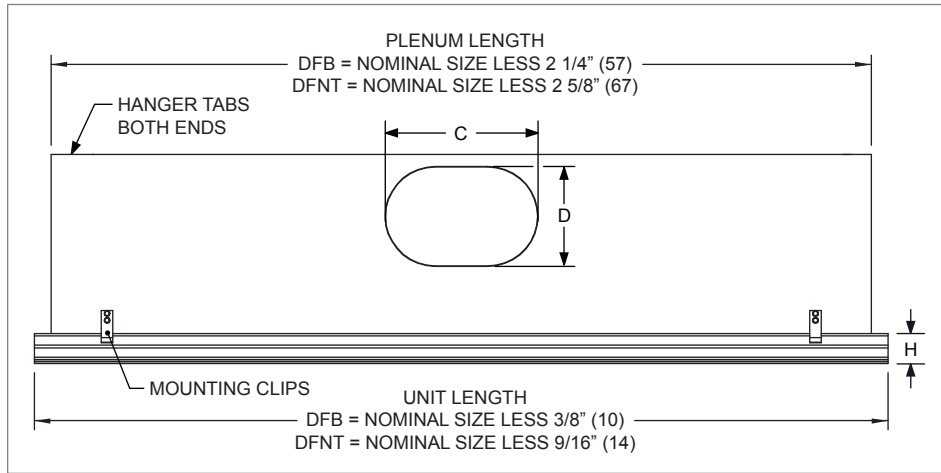


DFL for Lay-In T-Bar (DFB) & Narrow-T (DFNT) Applications

DFB/DFNT, SIDE VIEW

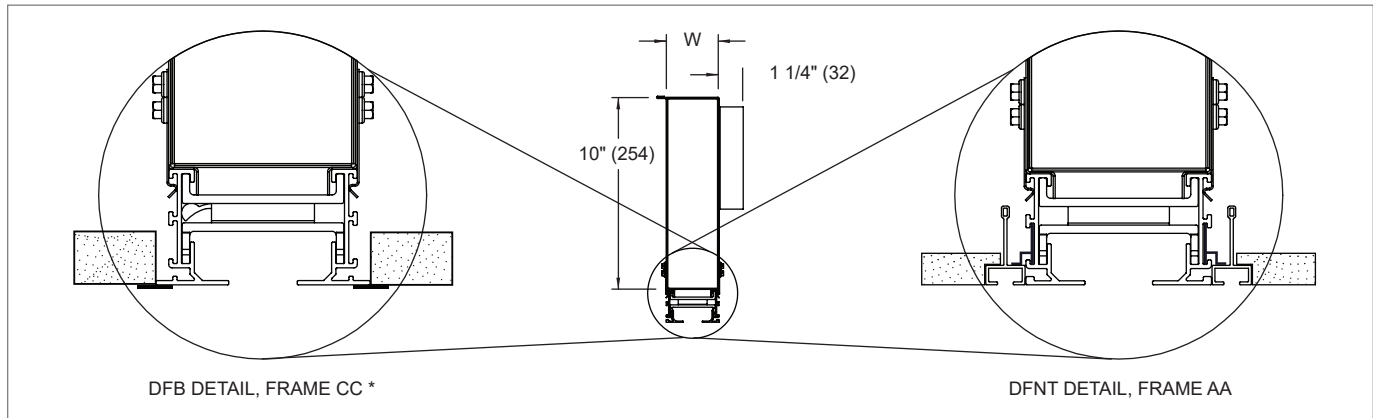


DFB/DFNT, OVAL DIMENSIONS

Inlet Size	C	D
6" Oval	6 1/4" (159)	5 1/4" (133)
8" Oval	9 3/8" (238)	5 1/4" (133)
10" Oval	12 1/2" (318)	5 1/4" (133)
12" Oval	14 1/8" (359)	7 7/8" (200)

NOTES: Dimensions in parentheses are mm. Endplates are standard.

DFB/DFNT, END VIEW & DETAIL



* Frame AC is also available with DFB.

DFB, UNIT DIMENSIONS

Model	Slot Width	H	One Slot		Two Slots		Nominal Size	Unit Length	Plenum Length
			1 W	2NV W	2AB W				
DFB10	1" (25)	1 11/16" (43)	2 3/4" (70)	5 3/16" (132)	6 1/16" (154)	24" (610) 48" (1219) 60" (1524)	23 5/8" (600) 47 5/8" (1210) 59 5/8" (1514)	21 3/4" (552) 45 3/4" (1162) 57 3/4" (1467)	
DFB10	1 1/2" (38)	1 11/16" (43)	3 3/4" (95)	7 3/16" (183)	8 1/16" (205)				
DFB10	2" (51)	1 11/16" (43)	4 3/4" (121)	9 3/16" (233)	10 1/16" (256)				
DFB10	2 1/2" (64)	2 5/16" (59)	5 3/4" (146)	11 3/16" (284)	12 1/16" (306)				
DFB10	3" (76)	2 5/16" (59)	6 3/4" (171)	13 3/16" (335)	14 1/16" (357)				

DFNT, UNIT DIMENSIONS

Model	Slot Width	H	One Slot		Two Slots		Nominal Size	Unit Length	Plenum Length
			1 W	2AB W					
DFNT10	1" (25)	1 11/16" (43)	2 3/4" (70)	6 1/16" (154)	24" (610) 48" (1219)	23 7/16" (595) 47 7/16" (1205)	21 3/8" (543) 45 3/8" (1153)		
DFNT10	1 1/2" (38)	1 11/16" (43)	3 3/4" (95)	8 1/16" (205)					
DFNT10	2" (51)	1 11/16" (43)	4 3/4" (121)	10 1/16" (256)					
DFNT10	2 1/2" (64)	2 5/16" (59)	5 3/4" (146)	12 1/16" (306)					
DFNT10	3" (76)	2 5/16" (59)	6 3/4" (171)	14 1/16" (357)					

NOTES: Dimensions in parentheses are mm. End caps are not insulated. Quadrant damper adds 6" to inlet depth. Plenum is galvanized steel, Mill finish. H-insulation is 1/4", 2 lb. single density Fiberglass and Y-insulation is 1/4" Fiber Free.

LINEAR SLOT DIFFUSERS

DESIGN FLO

© KRUEGER 2013