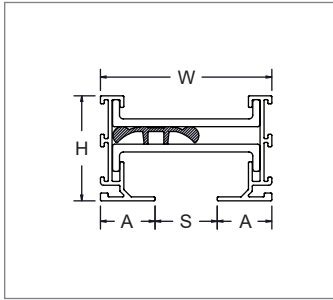
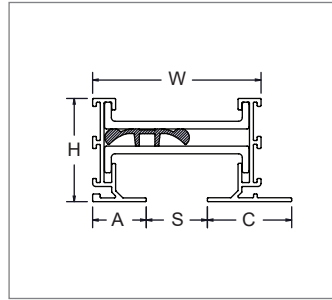


DFL Frame Styles: 1-Slot

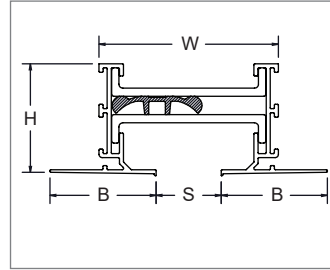
DFL, 1-SLOT, FRAME AA



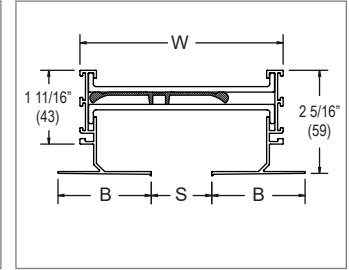
DFL, 1-SLOT, FRAME AC



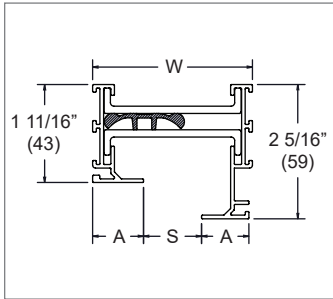
DFL, 1-SLOT, FRAME BB, 1", 1-1/2", 2" SLOT WIDTHS



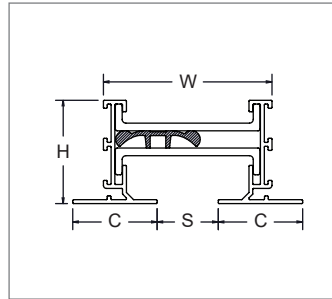
DFL, 1-SLOT, FRAME BB, 2-1/2" AND 3" SLOT WIDTHS



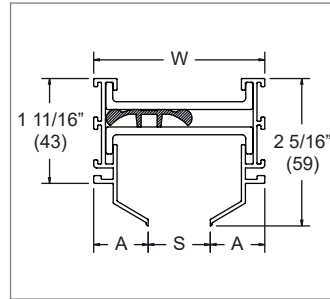
DFL, 1 SLOT, FRAME AD**



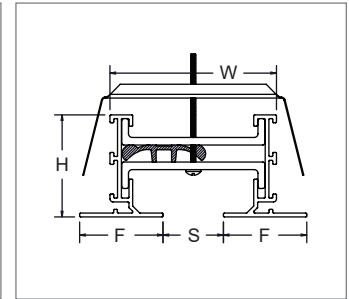
DFL, 1-SLOT, FRAME CC



DFL, 1-SLOT, FRAME EE



DFL, 1-SLOT, FRAME FF



DFL, FRAME DIMENSIONAL DETAIL

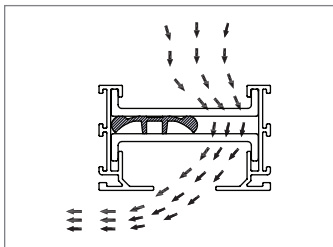
Model	Slot Width	Frame Width				Stack	
	S	A	B	C	F	Width W	Height H
DFL10	1" (25)	7/8" (22)	1 5/8" (41)	1 11/16" (27)	1 3/8" (35)	2 3/4" (70)	1 11/16" (43)
DFL15	1.5" (38)	1 1/8" (29)	1 7/8" (48)	1 5/16" (33)	1 5/8" (41)	3 3/4" (95)	1 11/16" (43)
DFL20	2" (51)	1 3/8" (35)	2 1/8" (54)	1 9/16" (40)	1 7/8" (48)	4 3/4" (121)	1 11/16" (43)
DFL25	2.5" (64)	1 5/8" (41)	2 1/8" (54)	1 13/16" (46)	2 1/8" (54)	5 3/4" (146)	2 5/16" (59)
DFL30	3" (76)	1 7/8" (48)	2 3/8" (60)	2 1/16" (52)	2 3/8" (60)	6 3/4" (171)	2 5/16" (59)

NOTES: Dimensions in parentheses are mm.

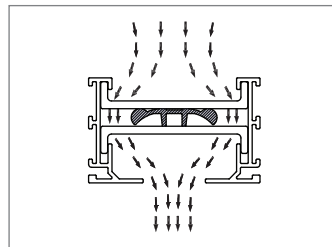
** Frame AD only available in 1 Slot with HT Pattern Controllers; 1", 1 1/2", or 2" Slot Widths.

DFL Pattern Controllers: 1-Slot

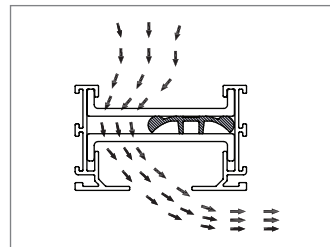
DFL, 1-SLOT HT ADJUSTMENT 1



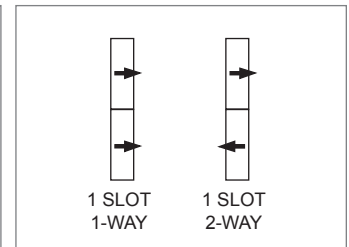
DFL, 1-SLOT HT ADJUSTMENT 2



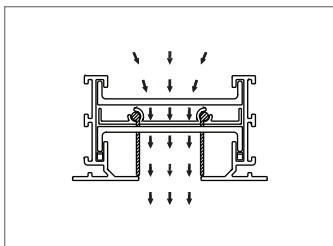
DFL, 1-SLOT HT ADJUSTMENT 3



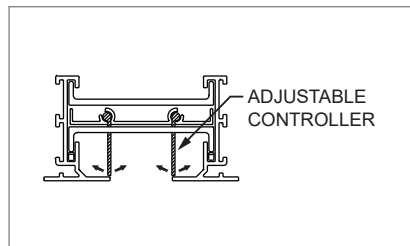
DFL, 1-SLOT DIRECTIONAL AIRFLOW



DFL, 1-SLOT VT ADJUSTMENT 2

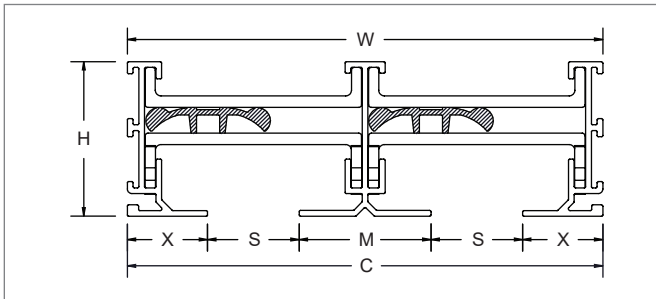


DFL, 1-SLOT VT ADJUSTMENT 1 / 3

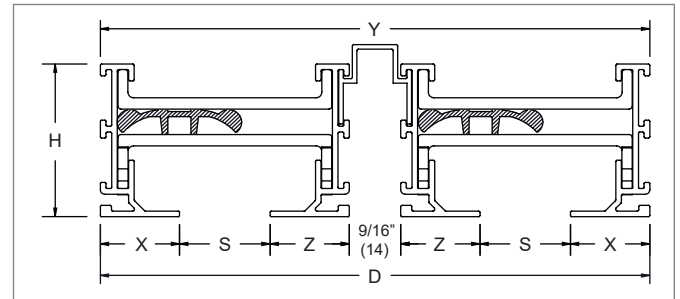


LINEAR SLOT DIFFUSERS

DESIGN FLO

DFL Frame Styles: 2 Slot
DFL, 2NV-SLOT, NARROW REVEAL (FRAME AA SHOWN)


NOTE: Available frame styles are AA, BB, CC, AC, EE, and FF.

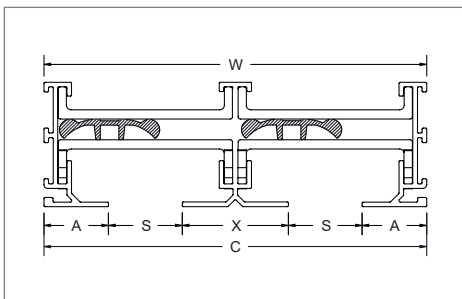
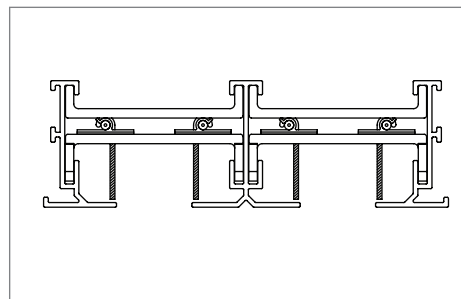
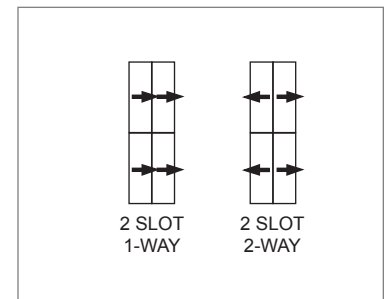
DFL, 2AB-SLOT, NO REVEAL (FRAME AA SHOWN)


NOTE: Available frame styles are AA, CC, & AC. Inside frames (Z) will always be Frame A to accommodate T-Bar.

DFL, FRAME DIMENSIONAL DETAIL

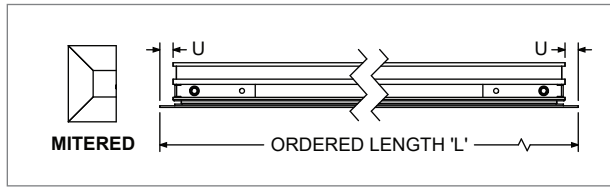
Model	Slot Width	Frame			Stack Width		Height
	S	X	M	Z	W	Y	H
DFL10	1" (25)	See page E1-4	1 7/16" (37)	7/8" (22)	5 3/16" (132)	6 1/16" (154)	1 11/16" (43)
DFL15	1.5" (38)		1 15/16" (49)	1 1/8" (29)	7 3/16" (183)	8 1/16" (205)	1 11/16" (43)
DFL20	2" (51)		2 7/16" (62)	1 3/8" (35)	9 3/16" (233)	10 1/16" (256)	1 11/16" (43)
DFL25	2.5" (64)		2 15/16" (75)	1 5/8" (41)	11 3/16" (284)	12 1/16" (306)	2 5/16" (59)
DFL30	3" (76)		3 7/16" (87)	1 7/8" (48)	13 3/16" (335)	14 1/16" (357)	2 5/16" (59)

NOTE: Dimensions in parentheses are mm.

DFL Pattern Controllers: 2 Slot
DFL, 2-SLOT HT PATTERN CONTROLLERS

DFL, 2-SLOT VT PATTERN CONTROLLERS

DFL, 2-SLOT DIRECTIONAL AIRFLOW


DFL End Borders

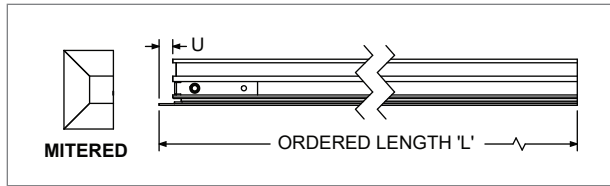
DFL, END BORDER 01



MITERED / MITERED
Unit Length = Ordered Length (L)
Used with Frames AA, BB, CC,
and FF
1 Slot Only

Frame (U)	Slot Widths	
	1", 1.5", 2"	2.5", 3"
AA	0	0
BB	3/4" (19)	1/2" (13)
CC	3/16" (5)	3/16" (5)
FF	1/2" (13)	1/2" (13)

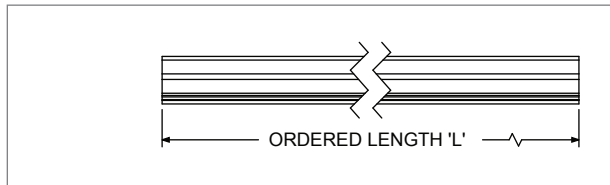
DFL, END BORDER 02



MITERED / BUTT CUT
Unit Length = Ordered Length (L)
Used with Frames AA, BB, CC,
and FF
1 Slot Only

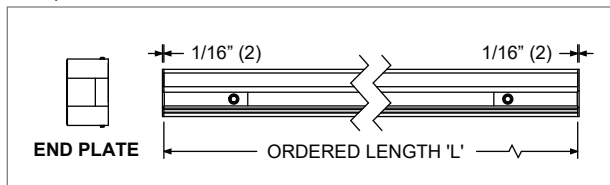
Frame (U)	Slot Widths	
	1", 1.5", 2"	2.5", 3"
AA	0	0
BB	3/4" (19)	1/2" (13)
CC	3/16" (5)	3/16" (5)
FF	1/2" (13)	1/2" (13)

DFL, END BORDER 03



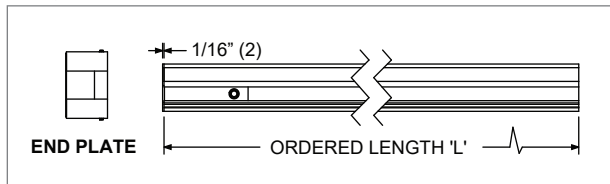
BUTT CUT / BUTT CUT
Unit Length = Ordered Length (L)
Used with All Frames and Slots

DFL, END BORDER 04



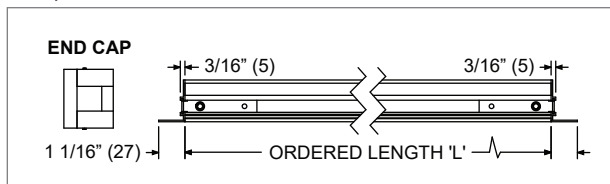
END PLATE / END PLATE
Unit Length = Ordered Length (L) + 1/8" (3)
Used with All Frames and Slots

DFL, END BORDER 05



END PLATE / BUTT CUT
Unit Length = Ordered Length (L) + 1/16" (1.5)
Used with All Frames and Slots

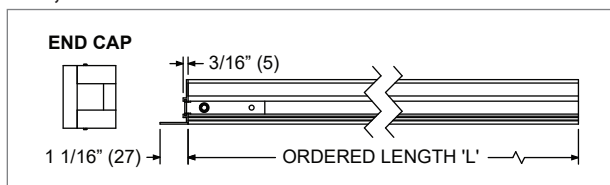
DFL, END BORDER 06



END CAP / END CAP
Unit Length = Ordered Length (L) + 2 1/8" (54)
Used with All Frames and Slots, Except AD, DA, BB and EE

Note: Vertical leg of end cap adds 3/16" (5) to each end of the stack head in the "L" dimension.

DFL, END BORDER 07



END CAP / BUTT CUT
Unit Length = Ordered Length (L) + 1 1/16" (27)
Used with All Frames and Slots, Except AD, DA, BB and EE

Note: Vertical leg of end cap adds 3/16" (5) to each end of the stack head in the "L" dimension.

NOTE: Dimensions in parentheses are mm.

LINEAR SLOT DIFFUSERS

DESIGN FLO

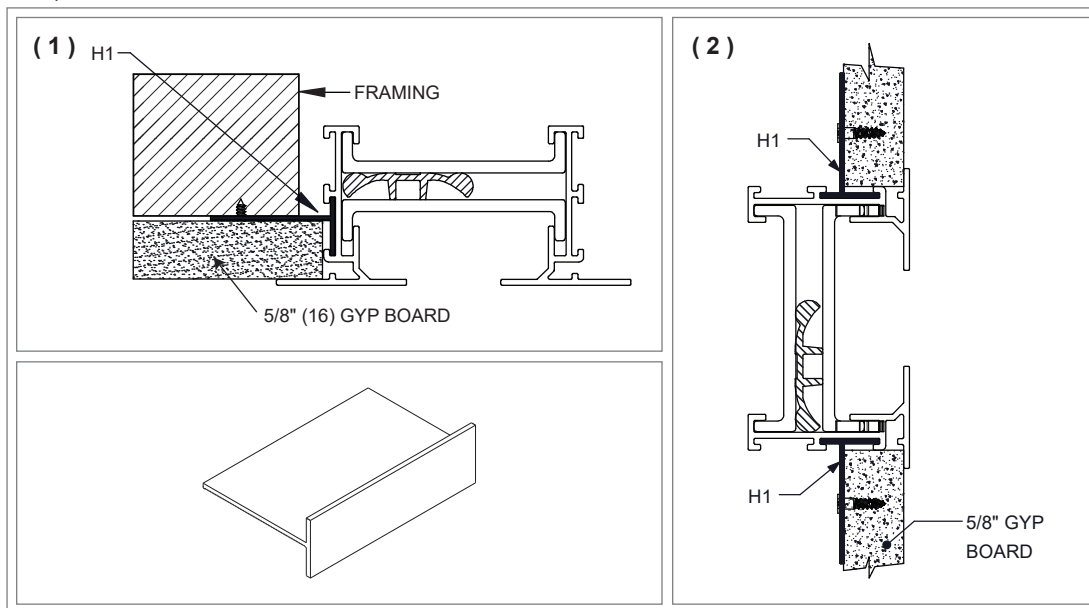
DFL Accessories: Hard Surface Mounting Brackets

There are four hard surface clips (H1 - H4) that are designed for different types of installation in 5/8" gyp board. There are three wall clips (W2 - W4) that are designed for installation perpendicular to a wall, where flange edge is next to the wall. Concealed fastening (CF) is designed for post-drywall installation into a DFP plenum.

USE THE CLIP WITH FRAMES AS FOLLOWS:

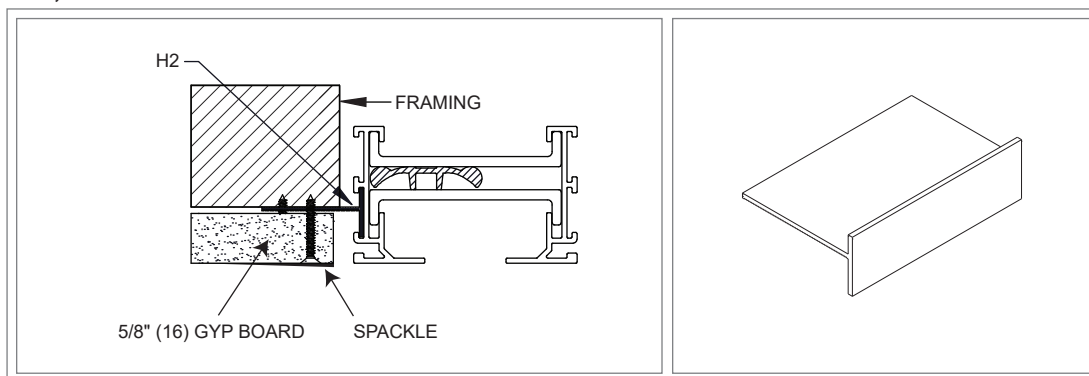
- H1:** Used with Frame Type C, F, or B for installation against 5/8" gyp board ceiling or sidewall.
- H2:** Used with Frame Type A or C for flush installation in 5/8" gyp board ceiling or sidewall.
- H3:** Used with Frame BB (2-1/2" and 3") and EE for a tape and spackled installation in 5/8" gyp board.
Also used on Frame type A for installation behind 5/8" gyp board.
- H4:** Used with Frame Type D only for installation behind 5/8" gyp board.
- W2:** Used with Frame Type A, C, D, or F for installation of DFL perpendicular to a wall with a reveal effect between the flange and wall.
- W3:** Used with Frame Type A or D for installation of DFL perpendicular to a wall, where flange edge is flush against the wall.
Cannot be used with DFP plenum.
- W4:** Used with Frame Type F. Used for installation of DFL perpendicular to a wall, where flange edge is flush against the wall.
- CF:** Used with Frame Type F or B and must be used with concealed mount DFP. Used for installations where drywall has already been installed and DFL is the last component. DFL is installed into a DFP plenum.

DFL, H1 HARD CEILING BRACKET



NOTES: H1 Hard Surface Mounting Brackets are used to mount Frame Type C, F, or B against 5/8" ceiling or sidewall applications.

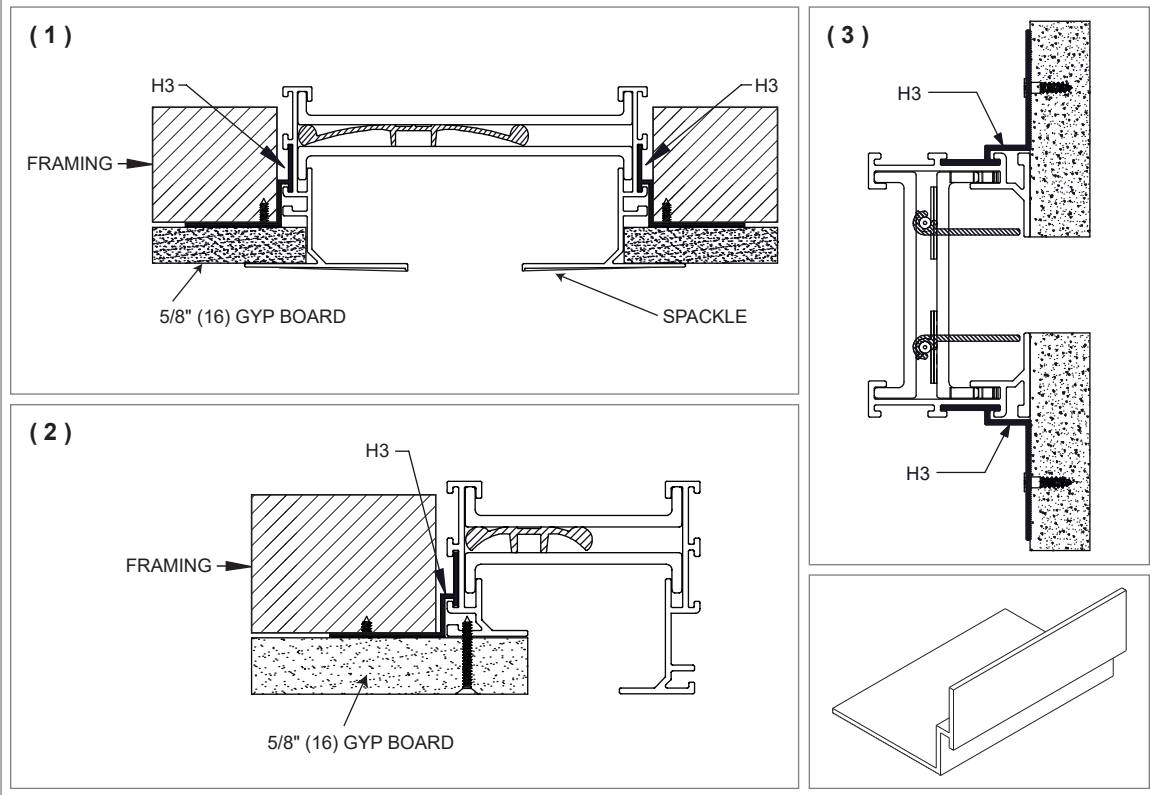
DFL, H2 HARD CEILING BRACKET



NOTES: H2 Hard Surface Mounting Brackets are used to flush mount frame type A or C in 5/8" gyp board. Best used with Frame Type A.

DFL Accessories: Hard Surface Mounting Brackets

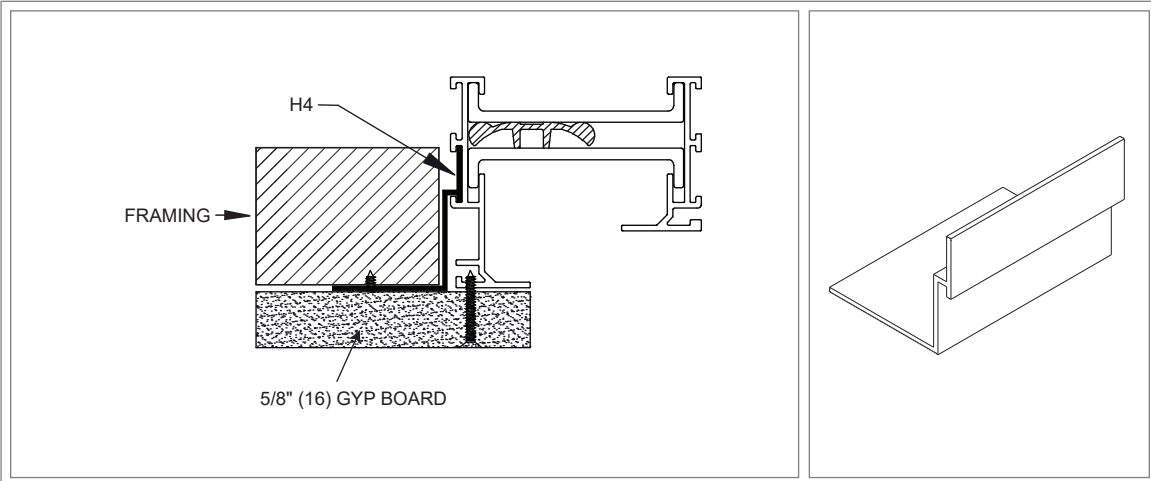
DFL, H3 HARD CEILING BRACKET



NOTES:

- (1) H3 Hard Surface Mounting Brackets are used to Mount Frame BB (1 1/2" and 3") for tape and Spackle installation in 5/8" gyp board.
- (2) H3 Hard Surface Mounting Brackets are used to mount the A side of Frame AD behind 5/8" gyp board.
- (3) H3 Hard Surface Mounting Brackets are used to mount Frame type A behind a 5/8" ceiling/sidewall in a VT application.
- (4) H3 Hard Surface Mounting Brackets are used to Mount Frame type EE for tape and Spackle installation in 5/8" gyp board.

DFL, H4 HARD CEILING BRACKET



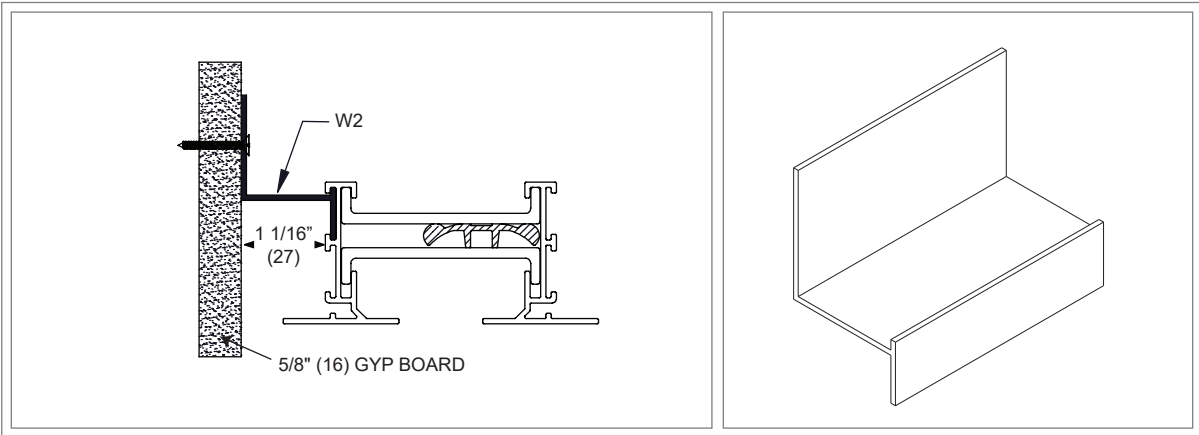
NOTE: H4 Hard Surface Mounting Brackets are used to mount the D side of Frame AD behind 5/8" gyp board.

LINEAR SLOT DIFFUSERS

DESIGN FLO

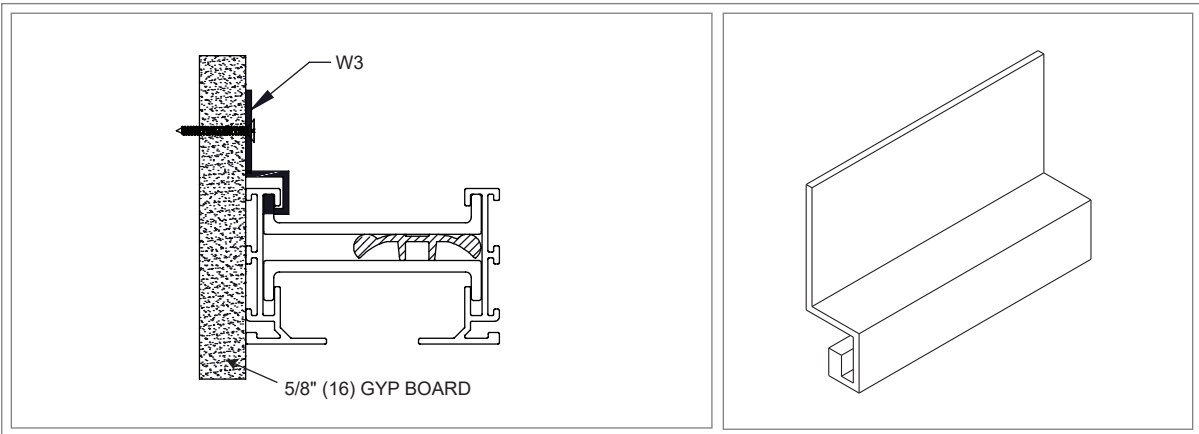
DFL Accessories: Wall Mounting Brackets

DFL, W2 WALL BRACKET



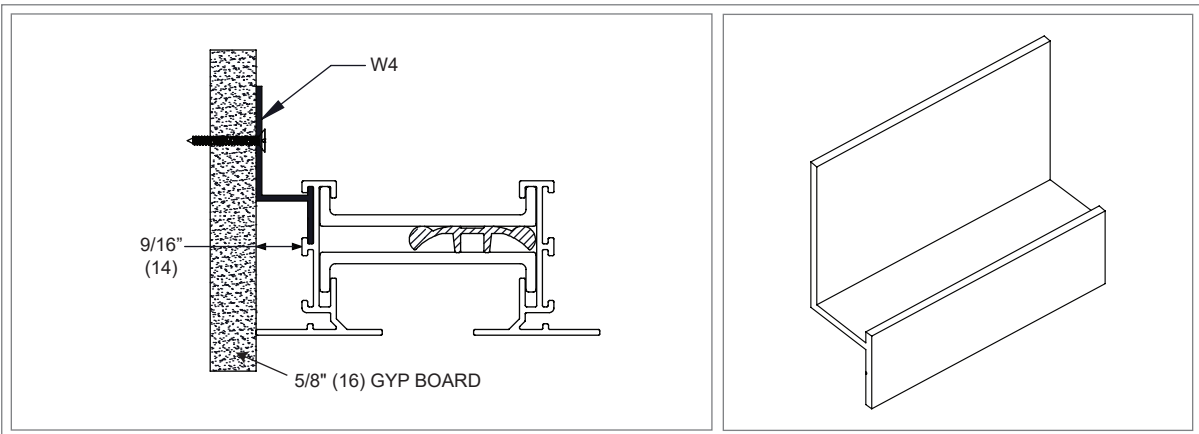
NOTE: W2 Wall Bracket is used to mount Frame Type A, C, D, or F perpendicular to a wall and create a reveal effect.

DFL, W3 WALL BRACKET



NOTE: W3 Wall Bracket is used to flush mount Frame Type A or D to a wall.

DFL, W4 WALL BRACKET



NOTE: W4 Wall Bracket is used to mount Frame Type F perpendicular to a wall, where flange edge is flush against the wall.

DFL Accessories: Support & Hanger Mounting Brackets

There is two T-Bar attachment clips (SS & SC) that are designed to install the DFL into a T-Bar ceiling. SS is specifically used for 15/16" grids, while SC is used for 9/16" drop face grids. There are two suspension clip (US & UC) that are designed to hang the DFL from ceiling structure in exposed or wood slat ceiling applications.

USE THE CLIP WITH FRAMES AS FOLLOWS:

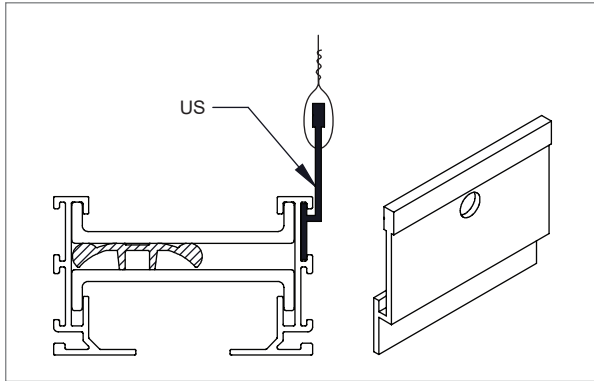
SS: Used with all Frame Types to connect multiple sections of linear and occasionally for installation in 15/16" T-Bar grid.

SC: Used with Frame Type A only to install into 9/16" drop face T-Bar grid.

US: Used with all Frame Types, except BB, for installation in exposed ceiling type installation, such as metal or wood slat ceilings.

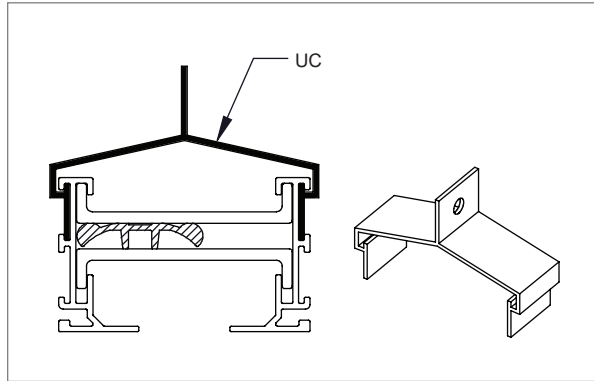
UC: Used with all Frame Types, except BB, for installation in exposed ceiling type installation, such as metal or wood slat ceilings.

DFL, US UPPER SUPPORT HANGER



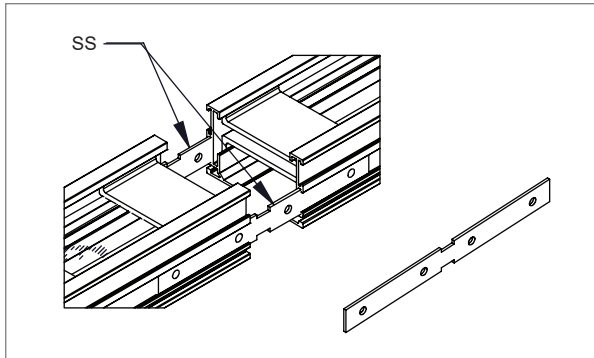
NOTE: US Upper Support Hanger is used to support one side of the DFL unit from the ceiling structure.

DFL, UC UPPER HANGER CLIP



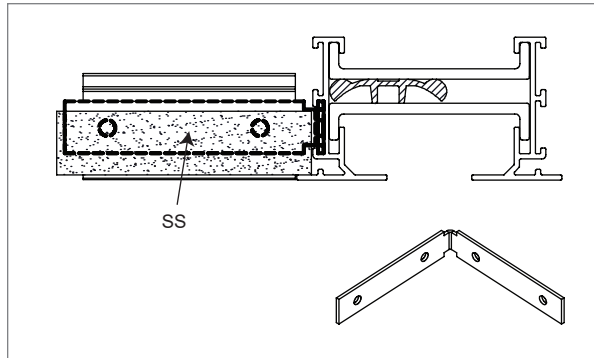
NOTE: UC Upper Hanger clip is used to support both sides of the DFL unit from ceiling structure.

DFL, SS SPLINE SUPPORT BRACKET (AS SUPPLIED)



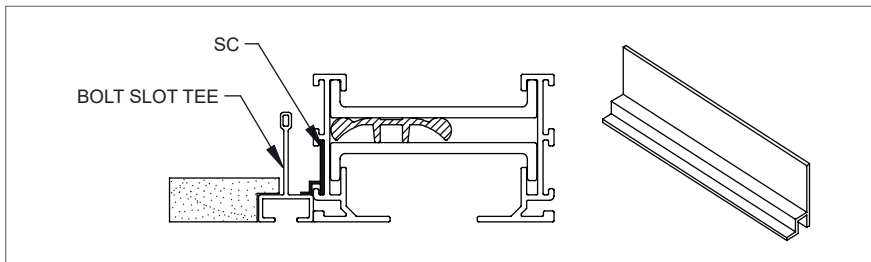
NOTE: SS Spline Support Bracket is used to join multiple sections of DFL into a continuous lot.

DFL, SS SPLINE SUPPORT BRACKET (FIELD SHAPED)



NOTE: SS Spline Support Bracket is used to couple ceiling "T" with DFL unit.

DFL, SC SPLINE CLIP

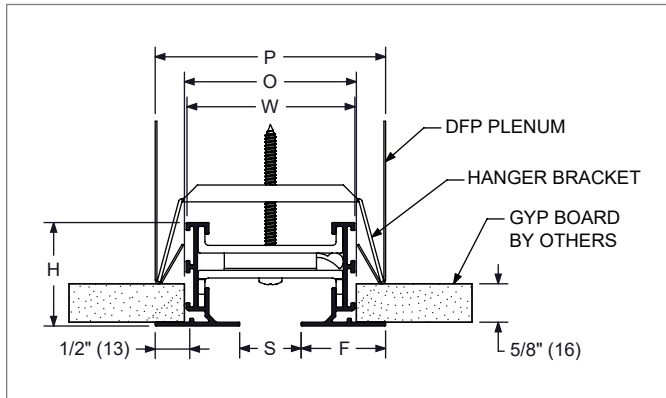
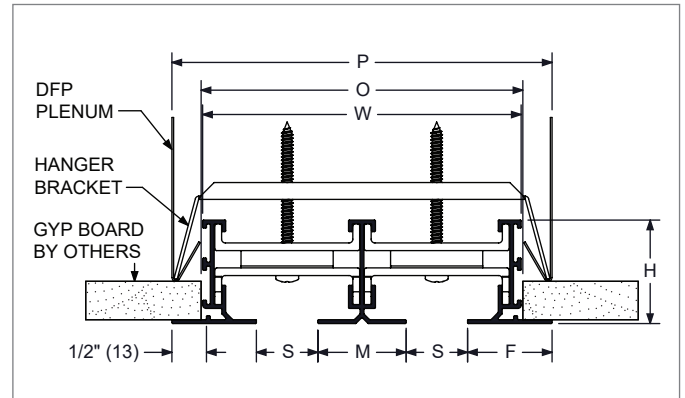


NOTE: SC Spline Clip is used to flush mount frame style A in a 9/16" bolt slot or drop face application.

LINEAR SLOT DIFFUSERS

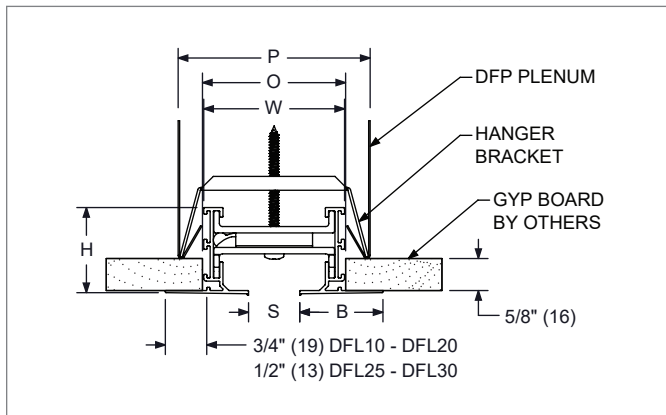
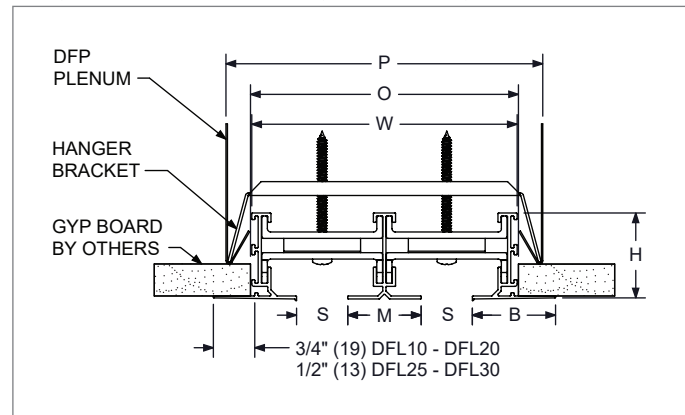
DESIGN FLO

© KRUEGER 2013

DFL Concealed Mounting & Plenum (DFP)
DFL, CONCEALED MOUNT, FRAME FF, 1-SLOT

DFL, CONCEALED MOUNT, FRAME FF, 2NV-SLOT

DFL, CONCEALED MOUNT DIMENSIONAL DETAILS, FRAME FF

Model	Slot	Frame	Height	1-Slot			2-Slot			
				Stack Width	Ceiling Opening	Plenum	Stack Width	Ceiling Opening	Plenum	Frame
				S	F	H	W	O	P	W
DFL10	1" (25)	1 3/8" (35)	1 11/16" (43)	2 3/4" (70)	3" (76)	3 3/4" (95)	5 3/16" (132)	5 1/2" (140)	6 3/16" (157)	1 7/16" (37)
DFL15	1 1/2" (38)	1 5/8" (41)	1 11/16" (43)	3 3/4" (95)	4" (102)	4 3/4" (121)	7 3/16" (183)	7 1/2" (191)	8 3/16" (208)	1 15/16" (49)
DFL20	2" (51)	1 7/8" (48)	1 11/16" (43)	4 3/4" (121)	5" (127)	5 3/4" (146)	9 3/16" (233)	9 1/2" (241)	10 3/16" (259)	2 7/16" (62)
DFL25	2 1/2" (64)	2 1/8" (54)	2 5/16" (59)	5 3/4" (146)	6" (152)	6 3/4" (171)	11 3/16" (284)	11 1/2" (292)	12 3/16" (310)	2 15/16" (75)
DFL30	3" (76)	2 3/8" (60)	2 5/16" (59)	6 3/4" (171)	7" (178)	7 3/4" (197)	13 3/16" (335)	13 1/2" (343)	14 3/16" (360)	3 7/16" (87)

NOTES: Dimensions in parentheses are mm. Standard HT Pattern Controller. Optional VT Pattern Controller available.

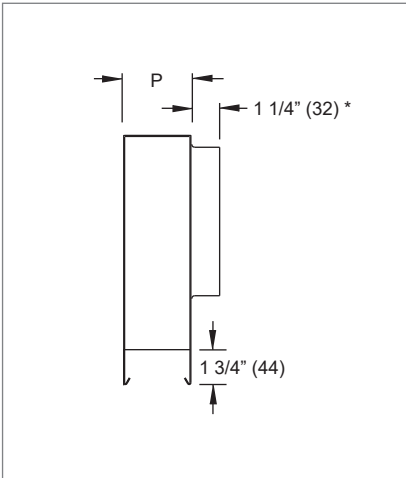
DFL, CONCEALED MOUNT, FRAME BB, 1-SLOT

DFL, CONCEALED MOUNT, FRAME BB, 2NV-SLOT

DFL, CONCEALED MOUNT DIMENSIONAL DETAILS, FRAME BB

Model	Slot	Frame	Height	1-Slot			2-Slot			
				Stack Width	Ceiling Opening	Plenum	Stack Width	Ceiling Opening	Plenum	Frame
				S	B	H	W	O	P	W
DFL10	1" (25)	1 5/8" (41)	1 11/16" (43)	2 3/4" (70)	3" (76)	3 3/4" (95)	5 3/16" (132)	5 1/2" (140)	6 3/16" (157)	1 7/16" (37)
DFL15	1 1/2" (38)	1 7/8" (48)	1 11/16" (43)	3 3/4" (95)	4" (102)	4 3/4" (121)	7 3/16" (183)	7 1/2" (191)	8 3/16" (208)	1 15/16" (49)
DFL20	2" (51)	2 1/8" (54)	1 11/16" (43)	4 3/4" (121)	5" (127)	5 3/4" (146)	9 3/16" (233)	9 1/2" (241)	10 3/16" (259)	2 7/16" (62)
DFL25	2 1/2" (64)	2 1/8" (54)	2 5/16" (59)	5 3/4" (146)	6" (152)	6 3/4" (171)	11 3/16" (284)	11 1/2" (292)	12 3/16" (310)	2 15/16" (75)
DFL30	3" (76)	2 3/8" (60)	2 5/16" (59)	6 3/4" (171)	7" (178)	7 3/4" (197)	13 3/16" (335)	13 1/2" (343)	14 3/16" (360)	3 7/16" (87)

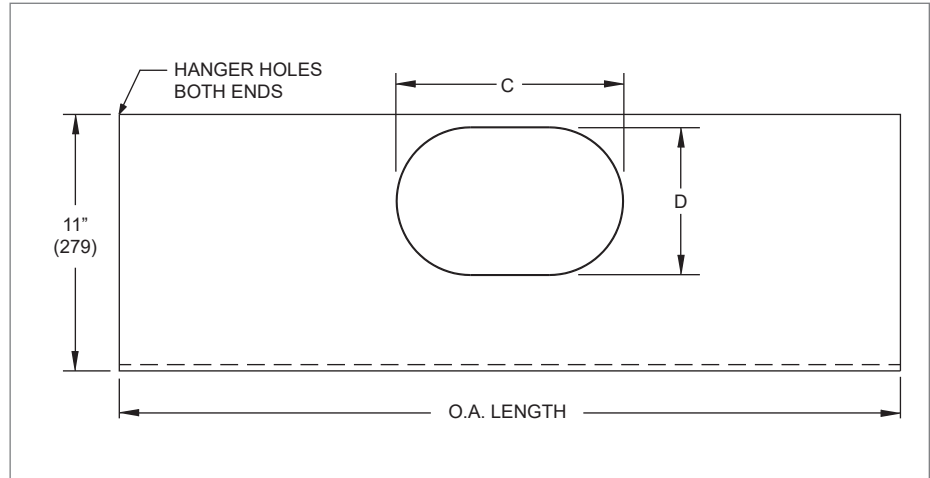
NOTES: Dimensions in parentheses are mm. Standard HT Pattern Controller. Optional VT Pattern Controller available.

DFL Accessories: Plenum (DFP) with Concealed Mounting

PLENUM (DFP), CONCEALED MOUNT SIDE VIEW



PLENUM (DFP), CONCEALED MOUNT FACE VIEW



PLENUM (DFP), CONCEALED MOUNT DIMENSIONAL DETAILS

Model	Width (P)			Nominal Length	O. A. Length
	Slot Qty				
	1	2NV	2AB		
DFP10	3 3/4" (95)	6 3/16" (157)	7 1/16" (179)	24" (610)	24" (610)
DFP15	4 3/4" (121)	8 3/16" (208)	9 1/16" (230)	36" (914)	36" (914)
DFP20	5 3/4" (146)	10 3/16" (259)	11 1/16" (281)	48" (1219)	48" (1219)
DFP25	6 3/4" (171)	12 3/16" (310)	13 1/16" (332)	60" (1524)	60" (1524)
DFP30	7 3/4" (197)	14 3/16" (360)	15 1/16" (383)	72" (1829)	72" (1829)

PLENUM (DFP), CONCEALED MOUNT AVAILABLE INLET SIZES

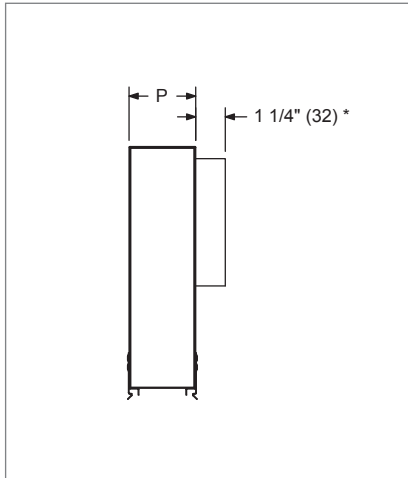
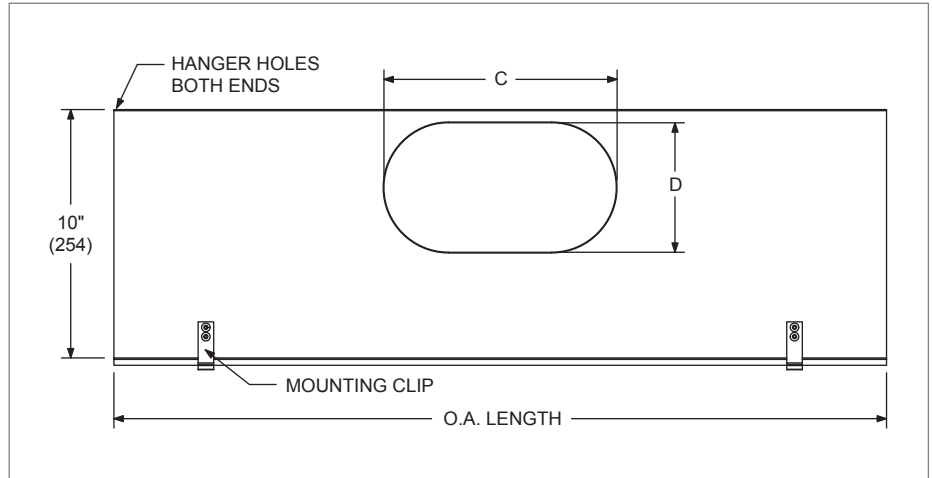
Inlet Size	C	D
6" Oval	6 1/4" (159)	5 1/4" (133)
8" Oval	9 3/8" (238)	5 1/4" (133)
10" Oval	12 1/2" (318)	5 1/4" (133)
12" Oval	14 1/8" (359)	7 7/8" (200)

NOTES: Dimensions in parentheses are mm. End caps are not insulated. Plenum is Mill finish galvanized steel. H-insulation is 1/4", 2 lb. single density Fiberglass and Y-insulation is 1/4" Fiber Free.

* Quadrant damper adds 6" (152) to inlet depth.

LINEAR SLOT DIFFUSERS

DESIGN FLO

DFL Accessories: Plenum (DFP) with Mounting Clips
**PLENUM (DFP),
MOUNTING CLIPS SIDE VIEW**

**PLENUM (DFP),
MOUNTING CLIPS FACE VIEW**

PLENUM (DFP), MOUNTING CLIPS DIMENSIONAL DETAILS

Model	Plenum Width P			Nominal Length	O.A. Length
	Slot Quantity				
	1	2NV	2AB		
DFP10	2 3/4" (70)	5 1/4" (133)	6 1/16" (154)	24" (610)	21 3/4" (552)
DFP15	3 3/4" (95)	7 1/4" (184)	8 1/16" (205)	36" (914)	33 3/4" (857)
DFP20	4 3/4" (121)	9 1/4" (235)	10 1/16" (256)	48" (1219)	45 3/4" (1162)
DFP25	5 3/4" (146)	11 1/4" (286)	12 1/16" (306)	60" (1524)	57 3/4" (1467)
DFP30	6 3/4" (171)	13 1/4" (337)	14 1/16" (357)	72" (1829)	69 3/4" (1772)

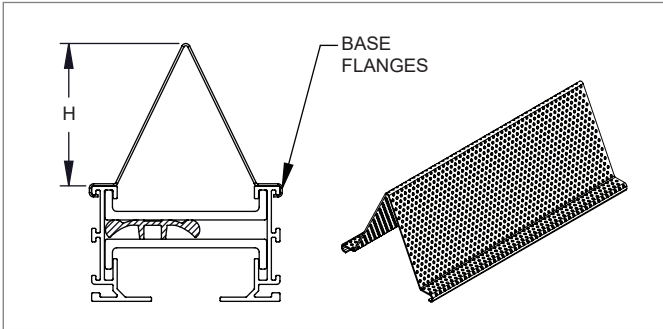
NOTES: Dimensions in parentheses are mm. End caps are not insulated. Quadrant damper adds 6" (152) to inlet depth. Plenum is galvanized steel, Mill finish. H-insulation is 1/4", 2 lb. single density Fiberglass and Y-insulation is 1/4" Fiber Free.

**PLENUM (DFP), CONCEALED
MOUNT AVAILABLE INLET SIZES**

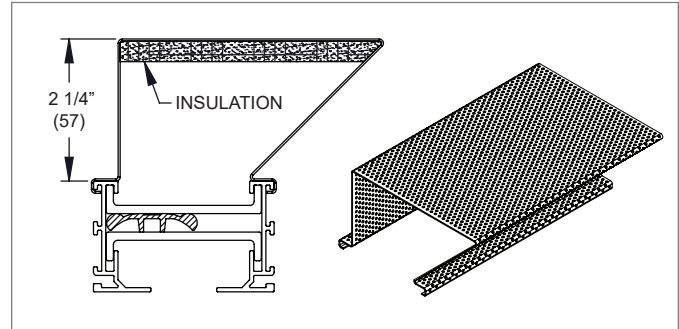
Inlet Size	C	D
6" Oval	6 1/4" (159)	5 1/4" (133)
8" Oval	9 3/8" (238)	5 1/4" (133)
10" Oval	12 1/2" (318)	5 1/4" (133)
12" Oval	14 1/8" (359)	7 7/8" (200)

DFL Accessories: Return Hood (DFRH) & Blank-off (DFBO)

STANDARD RETURN HOOD (DFRH)



INSULATED RETURN HOOD (DFRH)



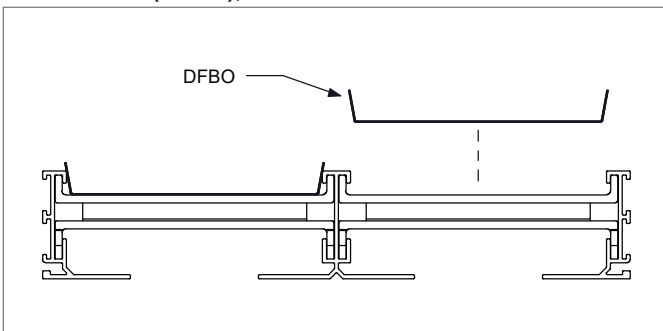
RETURN HOOD (DFRH), AVAILABLE SIZES

Model	Slot Width	1-Slot		2NV		2AB		Length
		Width	Height, H	Width	Height, H	Width	Height, H	
DFRH10	1" (25)	2 3/4" (70)	3 1/2" (89)	5 3/16" (132)	2" (51)	6 1/16" (154)	2" (51)	48" (1219)
DFRH15	1 1/2" (38)	3 3/4" (95)		7 3/16" (183)	3 3/16" (81)	8 1/16" (205)	3 3/16" (81)	
DFRH20	2" (51)	4 3/4" (121)		9 3/16" (233)	4 3/16" (106)	10 1/16" (256)	4 3/16" (106)	
DFRH25	2 1/2" (64)	5 3/4" (146)	7 1/8" (181)	11 3/16" (284)	5 3/16" (132)	12 1/16" (306)	5 3/16" (132)	
DFRH30	3" (76)	6 3/4" (171)		13 3/16" (335)	6 3/16" (157)	14 1/16" (357)	6 3/16" (157)	

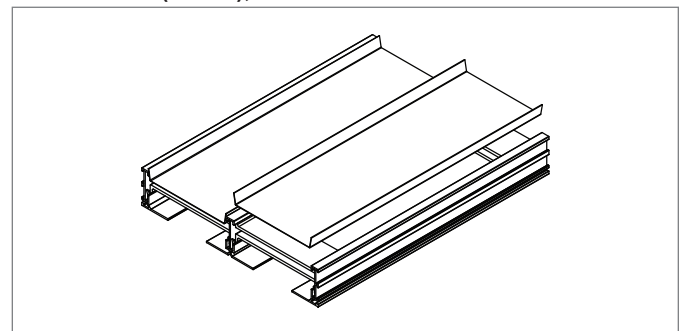
NOTES: Dimensions in parentheses are mm. Quadrant damper adds 6" (152) to inlet depth. Material is galvanized steel, painted black. Plenum is galvanized steel, Mill finish. Pieces ship 48" (1219) long, field cut. Returns are 51% perforated. Insulation is 1/4" (6) 2 lb. single density.

LINEAR SLOT DIFFUSERS

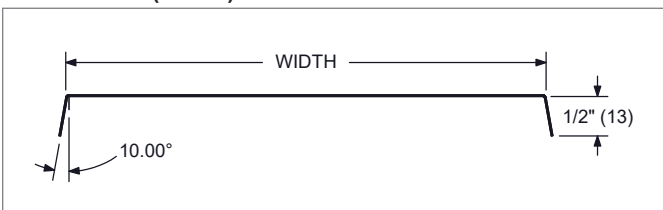
BLANK-OFF (DFBO), SIDE VIEW



BLANK-OFF (DFBO), ANGLED VIEWS



BLANK-OFF (DFBO)



RETURN HOOD (DFRH), DIMENSIONAL REFERENCES

Model	Width	Length
DFBO10	1 7/8" (47)	48" (1219)
DFBO15	2 7/8" (47)	
DFBO20	3 7/8" (47)	
DFBO25	4 7/8" (47)	
DFBO30	5 7/8" (47)	

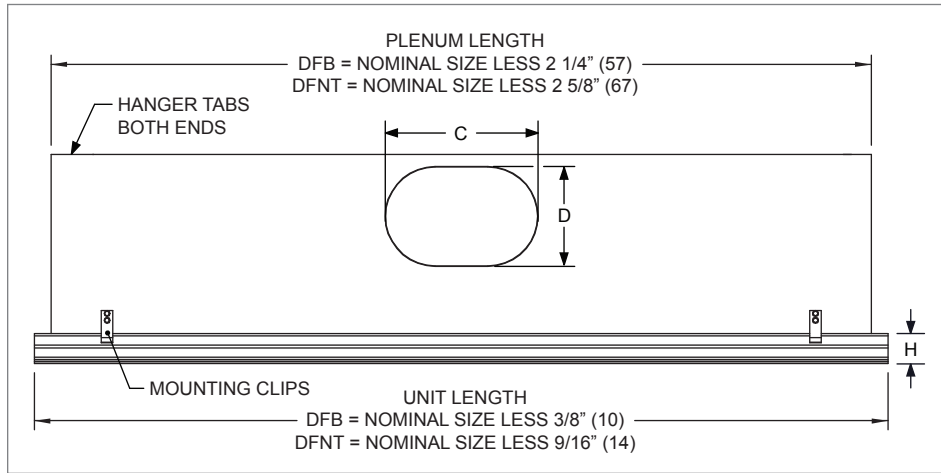
NOTES: Dimensions in parentheses are mm. Pieces ship 48" (1219) long, field cut. Material is galvanized steel, painted black. Returns are 51% perforated.

© KRUEGER 2013

DESIGN FLO

DFL for Lay-In T-Bar (DFB) & Narrow-T (DFNT) Applications

DFB/DFNT, SIDE VIEW

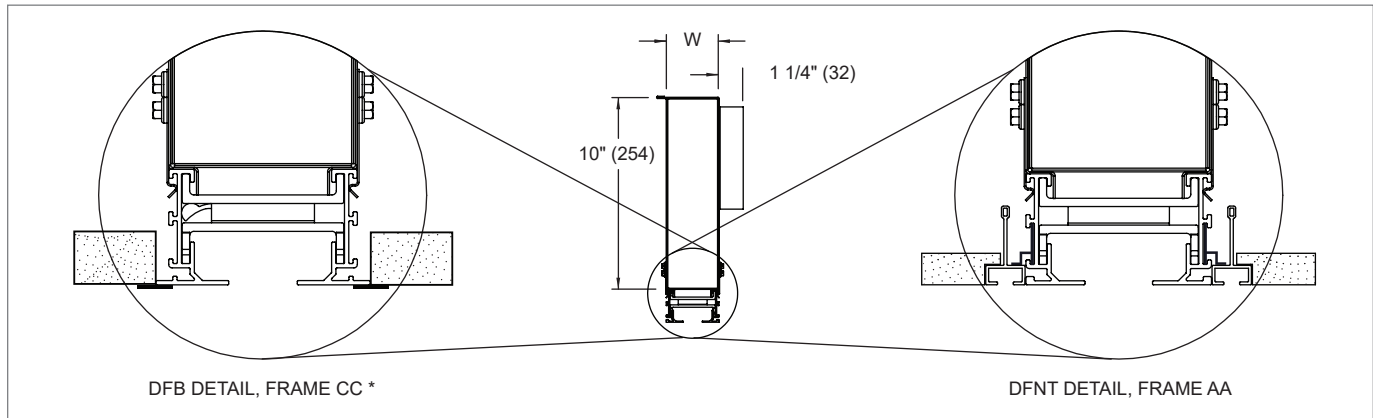


DFB/DFNT, OVAL DIMENSIONS

Inlet Size	C	D
6" Oval	6 1/4" (159)	5 1/4" (133)
8" Oval	9 3/8" (238)	5 1/4" (133)
10" Oval	12 1/2" (318)	5 1/4" (133)
12" Oval	14 1/8" (359)	7 7/8" (200)

NOTES: Dimensions in parentheses are mm. Endplates are standard.

DFB/DFNT, END VIEW & DETAIL



* Frame AC is also available with DFB.

DFB, UNIT DIMENSIONS

Model	Slot Width	H	One Slot		Two Slots		Nominal Size	Unit Length	Plenum Length
			1 W	2NV W	2AB W				
DFB10	1" (25)	1 11/16" (43)	2 3/4" (70)	5 3/16" (132)	6 1/16" (154)	24" (610) 48" (1219) 60" (1524)	23 5/8" (600) 47 5/8" (1210) 59 5/8" (1514)	21 3/4" (552) 45 3/4" (1162) 57 3/4" (1467)	
DFB10	1 1/2" (38)	1 11/16" (43)	3 3/4" (95)	7 3/16" (183)	8 1/16" (205)				
DFB10	2" (51)	1 11/16" (43)	4 3/4" (121)	9 3/16" (233)	10 1/16" (256)				
DFB10	2 1/2" (64)	2 5/16" (59)	5 3/4" (146)	11 3/16" (284)	12 1/16" (306)				
DFB10	3" (76)	2 5/16" (59)	6 3/4" (171)	13 3/16" (335)	14 1/16" (357)				

DFNT, UNIT DIMENSIONS

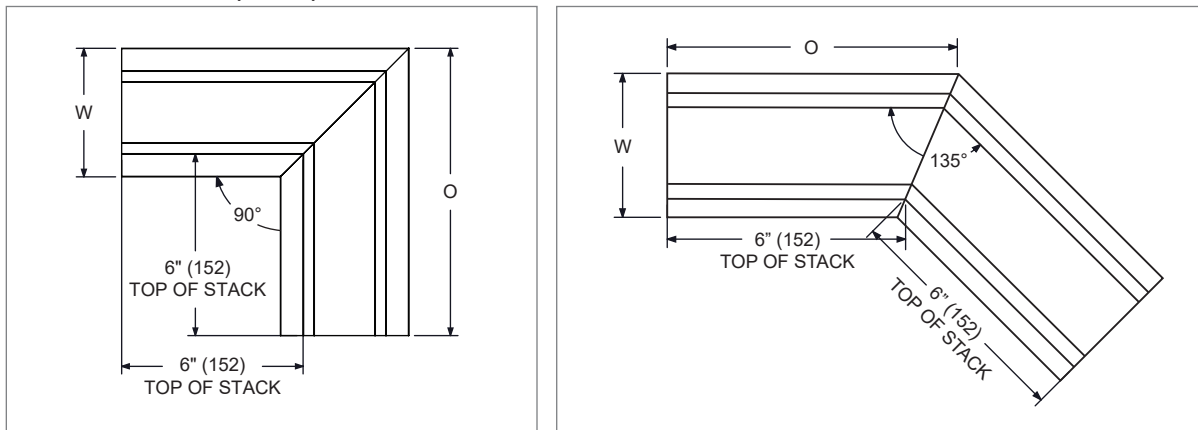
Model	Slot Width	H	One Slot		Two Slots		Nominal Size	Unit Length	Plenum Length
			1 W	2AB W					
DFNT10	1" (25)	1 11/16" (43)	2 3/4" (70)	6 1/16" (154)	24" (610) 48" (1219)	23 7/16" (595) 47 7/16" (1205)	21 3/8" (543) 45 3/8" (1153)		
DFNT10	1 1/2" (38)	1 11/16" (43)	3 3/4" (95)	8 1/16" (205)					
DFNT10	2" (51)	1 11/16" (43)	4 3/4" (121)	10 1/16" (256)					
DFNT10	2 1/2" (64)	2 5/16" (59)	5 3/4" (146)	12 1/16" (306)					
DFNT10	3" (76)	2 5/16" (59)	6 3/4" (171)	14 1/16" (357)					

NOTES: Dimensions in parentheses are mm. End caps are not insulated. Quadrant damper adds 6" to inlet depth. Plenum is galvanized steel, Mill finish. H-insulation is 1/4", 2 lb. single density Fiberglass and Y-insulation is 1/4" Fiber Free.

LINEAR SLOT DIFFUSERS

DESIGN FLO

© KRUEGER 2013

DFL Mitered Corner (DFMC)
MITERED CORNER (DFMC)


NOTES: Transitions are inactive with blank offs installed at factory. W dimension is flange to flange dimension. 6" Dimension is to flange, not neck. DFMC also available in 135°. See website for applicable dimensions.

MITERED CORNER (DFMC), AVAILABLE SIZES

Number of Slots	Slot Width	Frame Type											
		AA		BB		CC		FF		AC* / CA**		AD* / DA*	
		W	O	W	O	W	O	W	O	W	O	W	O
1	1" (25)	2 3/4" (70)	8 3/4" (375)	4 1/4" (108)	9 1/2" (241)	3 1/8" (79)	8 15/16" (227)	3 3/4" (95)	9 1/4" (235)	2 15/16" (75)	8 15/16" (227)	2 3/4" (70)	8 3/4" (222)
	1 1/2" (38)	3 3/4" (95)	9 3/4" (400)	5 1/4" (133)	10 1/2" (267)	4 1/8" (105)	9 15/16" (252)	4 3/4" (121)	10 1/4" (260)	3 15/16" (100)	9 15/16" (252)	3 3/4" (95)	9 3/4" (248)
	2" (51)	4 3/4" (121)	10 3/4" (425)	6 1/4" (159)	11 1/2" (292)	5 1/8" (130)	10 15/16" (278)	5 3/4" (146)	11 1/4" (286)	4 15/16" (125)	10 15/16" (278)	4 3/4" (121)	10 3/4" (273)
	2 1/2" (64)	5 3/4" (146)	11 3/4" (451)	6 3/4" (171)	12 1/4" (311)	6 1/8" (156)	11 15/16" (303)	6 3/4" (171)	12 1/4" (311)	5 15/16" (151)	11 15/16" (303)	-	-
	3" (76)	6 3/4" (171)	12 3/4" (476)	7 3/4" (197)	13 1/4" (337)	7 1/8" (181)	12 15/16" (329)	7 3/4" (197)	13 1/4" (337)	6 15/16" (176)	12 15/16" (329)	-	-
Number of Slots	Slot Width	AA		BB		CC		FF		AC*		CA*	
		W	O	W	O	W	O	W	O	W	O	W	O
2NV	1" (25)	5 3/16" (132)	11 3/16" (284)	6 11/16" (170)	11 15/16" (303)	5 9/16" (141)	11 3/8" (289)	6 3/16" (157)	11 11/16" (297)	5 3/8" (137)	11 3/8" (289)	5 3/8" (137)	11 3/16" (284)
	1 1/2" (38)	7 3/16" (183)	13 3/16" (335)	8 11/16" (221)	13 15/16" (354)	7 9/16" (192)	13 3/8" (340)	8 3/16" (208)	13 11/16" (348)	7 3/8" (187)	13 3/8" (340)	7 3/8" (187)	13 3/16" (335)
	2" (51)	9 3/16" (233)	15 3/16" (386)	10 11/16" (271)	15 15/16" (405)	9 9/16" (243)	15 3/8" (391)	10 3/16" (259)	15 11/16" (399)	9 3/8" (238)	15 3/8" (391)	9 3/8" (238)	15 3/16" (386)
	2 1/2" (64)	11 3/16" (284)	17 3/16" (437)	12 3/16" (310)	17 11/16" (450)	11 9/16" (294)	17 3/8" (445)	12 3/16" (310)	17 11/16" (450)	11 3/8" (289)	17 3/8" (445)	11 3/8" (289)	17 3/16" (437)
	3" (76)	13 3/16" (335)	19 3/16" (487)	14 3/16" (360)	19 11/16" (500)	13 9/16" (344)	19 3/8" (493)	14 3/16" (360)	19 11/16" (500)	13 3/8" (340)	19 3/8" (493)	13 3/8" (340)	19 3/16" (487)

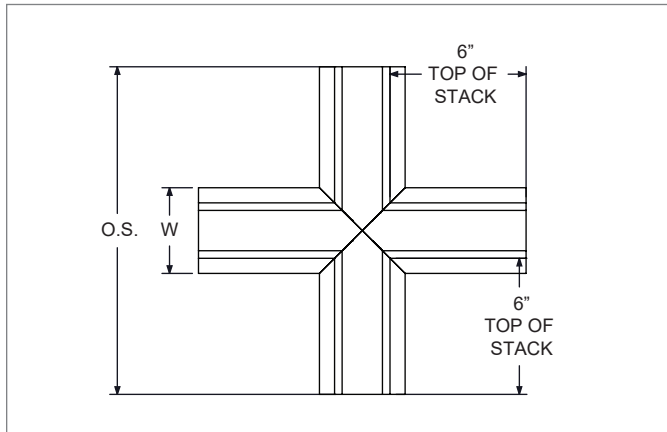
NOTES:

* The first frame listed will be the inside edge frame.

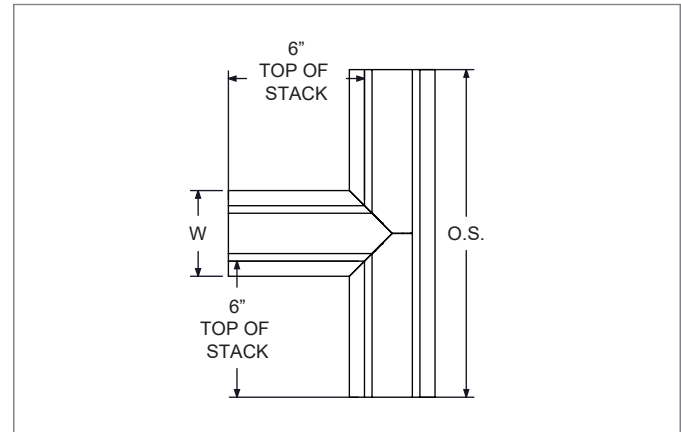
** Frame CA "O" dimensions will match Frame AA "O" dimensions.

DFL Transitions (DFT/DFC)

TRANSITION (DFC)



TRANSITION (DFT)



NOTES: Transitions are inactive with blank offs installed at factory.

TRANSITION (DFC), AVAILABLE SIZES

Number of Slots	Slot Width	Frame Type							
		AA		BB		CC		FF	
		W	O	W	O	W	O	W	O
1	1" (25)	2 3/4" (70)	14 3/4" (375)	4 1/4" (108)	16 1/4" (413)	3 1/8" (79)	15 1/8" (384)	3 3/4" (95)	15 3/4" (400)
	1 1/2" (38)	3 3/4" (95)	15 3/4" (400)	5 1/4" (133)	17 1/4" (438)	4 1/8" (105)	16 1/8" (410)	4 3/4" (121)	16 3/4" (425)
	2" (51)	4 3/4" (121)	16 3/4" (425)	6 1/4" (159)	18 1/4" (464)	5 1/8" (130)	17 1/8" (435)	5 3/4" (146)	17 3/4" (451)
	2 1/2" (64)	5 3/4" (146)	17 3/4" (451)	6 3/4" (171)	18 3/4" (476)	6 1/8" (156)	18 1/8" (460)	6 3/4" (171)	18 3/4" (476)
	3" (76)	6 3/4" (171)	18 3/4" (476)	7 3/4" (197)	19 3/4" (502)	7 1/8" (181)	19 1/8" (485)	7 3/4" (197)	19 3/4" (502)

TRANSITION (DFT), AVAILABLE SIZES

Number of Slots	Slot Width	Frame Type							
		AA		BB		CC		FF	
		W	O	W	O	W	O	W	O
1	1" (25)	2 3/4" (70)	14 3/4" (375)	4 1/4" (108)	16 1/4" (413)	3 1/8" (79)	15 1/8" (384)	3 3/4" (95)	15 3/4" (400)
	1 1/2" (38)	3 3/4" (95)	15 3/4" (400)	5 1/4" (133)	17 1/4" (438)	4 1/8" (105)	16 1/8" (410)	4 3/4" (121)	16 3/4" (425)
	2" (51)	4 3/4" (121)	16 3/4" (425)	6 1/4" (159)	18 1/4" (464)	5 1/8" (130)	17 1/8" (435)	5 3/4" (146)	17 3/4" (451)
	2 1/2" (64)	5 3/4" (146)	17 3/4" (451)	6 3/4" (171)	18 3/4" (476)	6 1/8" (156)	18 1/8" (460)	6 3/4" (171)	18 3/4" (476)
	3" (76)	6 3/4" (171)	18 3/4" (476)	7 3/4" (197)	19 3/4" (502)	7 1/8" (181)	19 1/8" (456)	7 3/4" (197)	19 3/4" (502)

LINEAR SLOT DIFFUSERS

DESIGN FLO