

1900SQS

**FEATURES**

- Aluminum diffuser with steel backpan, round neck.
- 1 - 4 slots available in 3/4" and 1" slot widths.
- Blades are removable to allow diffuser to serve as a low-pressure-drop return.
- Airflow pattern is adjustable 1, 2, 3, and 4-way.
- Ceiling tile center receptacle. (Ceiling tile by others.)

**Introduction: 1900SQS, 1900SQSI, 1900SQR**

The 1900SQ series incorporates the optimal performance and versatility of a 1900 series linear diffuser with the attributes of a 24"x24" lay in panel diffuser. The 1900SQ is designed to allow a ceiling tile to be inserted in the face of the diffuser to provide a smooth, clean appearance with adjacent ceiling tiles. Additionally, the variety of finishes available allows the diffuser to blend, complement, or contrast with the ceiling system. The 1900SQ has individually adjustable blades to allow horizontal and vertical throw from the same unit. The blades can also be adjusted to blank off any side where throw is not required. When the diffuser is set in the 4-way discharge setting, typical isothermal throws of 12' to 24' can be achieved. This design makes Krueger's 1900SQ series diffuser an ideal choice for modular office spaces where room airflow patterns can be adjusted according to cubical layout and for non-standard ceiling height applications.

**MODELS**

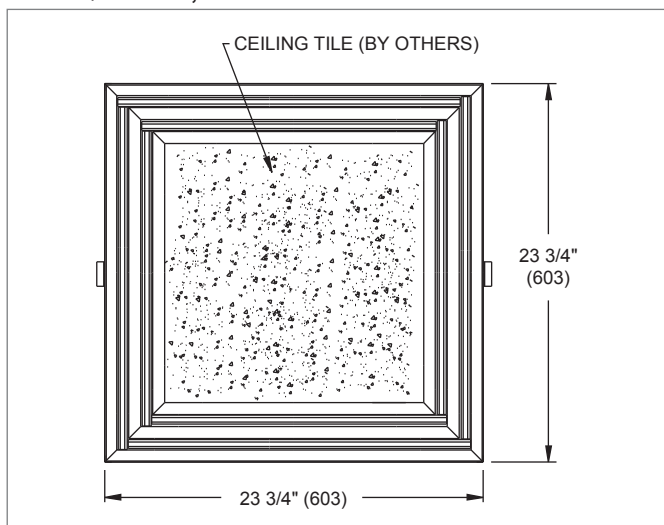
- 1900SQS - Linear Slot Square Supply Diffuser
- 1900SQR - Linear Slot Square Return Diffuser
- 1900SQSI - Linear Slot Insulated Supply Diffuser

**PANEL SIZES**

- 24"x24"

**FINISHES**

- Standard finish is #44 British White with Black blades.
- Optional finishes available.

**1900SQS, 1900SQSI, 1900SQR Exploded Views**
**1900SQ SERIES, FACE VIEW**


NOTES: Dimensions in parentheses are mm. Two-slot shown in drawing above.

**1900SQ SERIES, EXPLODED VIEW**
