

**1900 Frame Style A: Standard Lay-In T-Bar**
**1900, AVAILABLE SIZES: FRAME STYLE A**

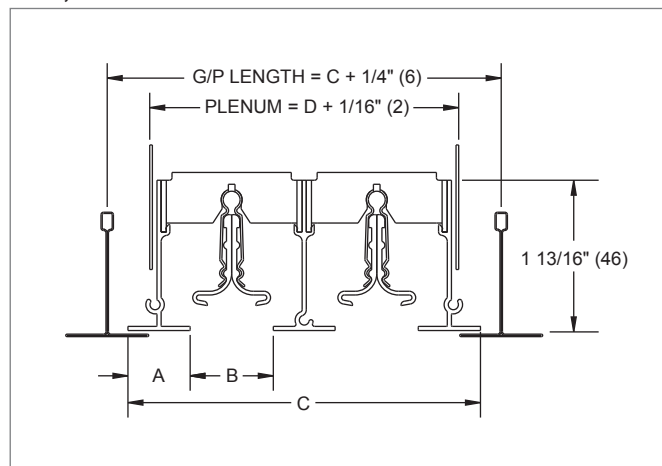
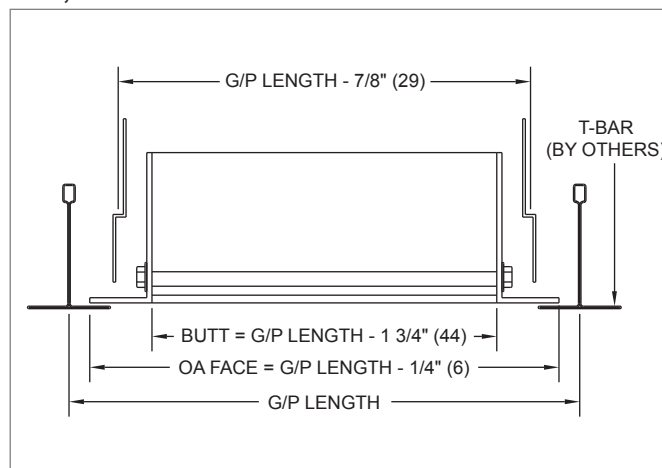
1950 (1/2" Slot Width)				
Slot	A	B	C	D
1	3/4" (19)	1/2" (13)	2" (51)	1 3/8" (35)
2	3/4" (19)	1/2" (13)	3 1/4" (83)	2 5/8" (67)
3	3/4" (19)	1/2" (13)	4 1/2" (114)	3 7/8" (98)
4	3/4" (19)	1/2" (13)	5 3/4" (146)	5 1/8" (130)
5	3/4" (19)	1/2" (13)	7" (178)	6 3/8" (162)
6	3/4" (19)	1/2" (13)	8 1/4" (210)	7 5/8" (194)
7	3/4" (19)	1/2" (13)	9 1/2" (241)	8 7/8" (225)
8	3/4" (19)	1/2" (13)	10 3/4" (273)	10 1/8" (257)

1975 (3/4" Slot Width)				
Slot	A	B	C	D
1	3/4" (19)	3/4" (19)	2 1/4" (57)	1 5/8" (41)
2	3/4" (19)	3/4" (19)	3 3/4" (95)	3 1/8" (79)
3	3/4" (19)	3/4" (19)	5 1/4" (133)	4 5/8" (117)
4	3/4" (19)	3/4" (19)	6 3/4" (171)	6 1/8" (156)
5	3/4" (19)	3/4" (19)	8 1/4" (210)	7 5/8" (194)
6	3/4" (19)	3/4" (19)	9 3/4" (248)	9 1/8" (232)
7	3/4" (19)	3/4" (19)	11 1/4" (286)	10 5/8" (270)
8	3/4" (19)	3/4" (19)	12 3/4" (324)	12 1/8" (308)

1910 (1" Slot Width)				
Slot	A	B	C	D
1	3/4" (19)	1" (25)	2 1/2" (64)	1 7/8" (48)
2	3/4" (19)	1" (25)	4 1/4" (108)	3 5/8" (92)
3	3/4" (19)	1" (25)	6" (152)	5 3/8" (137)
4	3/4" (19)	1" (25)	7 3/4" (197)	7 1/8" (181)
5	3/4" (19)	1" (25)	9 1/2" (241)	8 7/8" (225)
6	3/4" (19)	1" (25)	11 1/4" (286)	10 5/8" (270)
7	3/4" (19)	1" (25)	13" (330)	12 3/8" (314)
8	3/4" (19)	1" (25)	14 3/4" (375)	14 1/8" (359)

1915 (1 1/2" Slot Width)				
Slot	A	B	C	D
1	3/4" (19)	1 1/2" (38)	3" (76)	2 3/8" (60)
2	3/4" (19)	1 1/2" (38)	5 1/4" (133)	4 5/8" (117)
3	3/4" (19)	1 1/2" (38)	7 1/2" (191)	6 7/8" (175)
4	3/4" (19)	1 1/2" (38)	9 3/4" (248)	9 1/8" (232)

1920 (2" Slot Width)				
Slot	A	B	C	D
1	3/4" (19)	2" (51)	3 1/2" (89)	2 7/8" (73)
2	3/4" (19)	2" (51)	6 1/4" (159)	5 5/8" (143)
3	3/4" (19)	2" (51)	9" (229)	8 3/8" (213)
4	3/4" (19)	2" (51)	11 3/4" (298)	11 1/8" (283)

**1900, CROSS SECTION: FRAME STYLE A**

**1900, SIDE VIEW: FRAME STYLE A**


NOTES: Dimensions in parentheses are mm.

Duct = Ordered Length

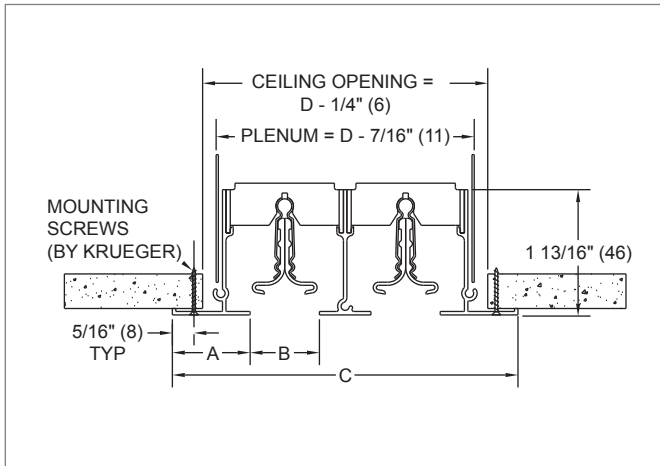
OA = Overall Length

G/P = Grid/Panel

\* End caps on both ends are shown above. For other end configurations, lengths, and availability, see page E1-54.

**1900 Frame Style B: Surface Mount With Screw Hole Fastening**

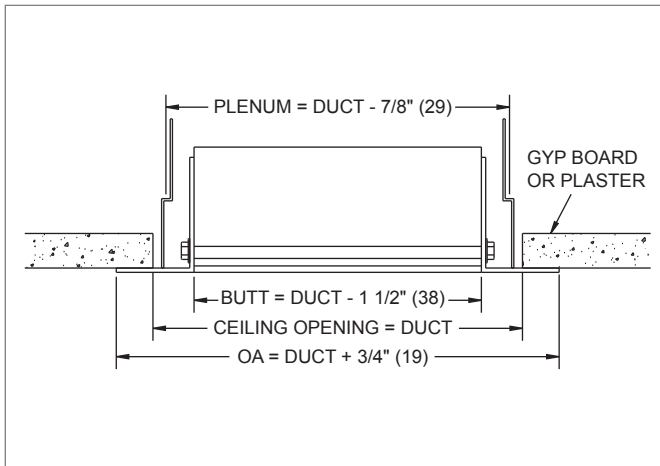
**1900, CROSS SECTION: FRAME STYLE B**



**1900, AVAILABLE SIZES: FRAME STYLE B**

1950 (1/2" Slot Width)				
Slot	A	B	C	D
1	1 1/8" (29)	1/2" (13)	2 3/4" (70)	1 7/8" (48)
2	1 1/8" (29)	1/2" (13)	4" (102)	3 1/8" (79)
3	1 1/8" (29)	1/2" (13)	5 1/4" (133)	4 3/8" (111)
4	1 1/8" (29)	1/2" (13)	6 1/2" (165)	5 5/8" (143)
5	1 1/8" (29)	1/2" (13)	7 3/4" (197)	6 7/8" (175)
6	1 1/8" (29)	1/2" (13)	9" (229)	8 1/8" (206)
7	1 1/8" (29)	1/2" (13)	10 1/4" (260)	9 3/8" (238)
8	1 1/8" (29)	1/2" (13)	11 1/2" (292)	10 5/8" (270)

**1900, SIDE VIEW: FRAME STYLE B**



1975 (3/4" Slot Width)				
Slot	A	B	C	D
1	1 1/8" (29)	3/4" (19)	3" (76)	2 1/8" (54)
2	1 1/8" (29)	3/4" (19)	4 1/2" (114)	3 5/8" (92)
3	1 1/8" (29)	3/4" (19)	6" (152)	5 1/8" (130)
4	1 1/8" (29)	3/4" (19)	7 1/2" (191)	6 5/8" (168)
5	1 1/8" (29)	3/4" (19)	9" (229)	8 1/8" (206)
6	1 1/8" (29)	3/4" (19)	10 1/2" (267)	9 5/8" (244)
7	1 1/8" (29)	3/4" (19)	12" (305)	11 1/8" (283)
8	1 1/8" (29)	3/4" (19)	13 1/2" (343)	12 5/8" (321)

1910 (1" Slot Width)				
Slot	A	B	C	D
1	1 1/8" (29)	1" (25)	3 1/4" (83)	2 3/8" (60)
2	1 1/8" (29)	1" (25)	5" (127)	4 1/8" (105)
3	1 1/8" (29)	1" (25)	6 3/4" (171)	5 7/8" (149)
4	1 1/8" (29)	1" (25)	8 1/2" (216)	7 5/8" (194)
5	1 1/8" (29)	1" (25)	10 1/4" (260)	9 3/8" (238)
6	1 1/8" (29)	1" (25)	12" (305)	11 1/8" (283)
7	1 1/8" (29)	1" (25)	13 3/4" (349)	12 7/8" (327)
8	1 1/8" (29)	1" (25)	15 1/2" (394)	14 5/8" (371)

NOTES: Dimensions in parentheses are mm.

Duct = Ordered Length

OA = Overall Length

\* End caps on both ends are shown above. For other end configurations, lengths, and availability, see page E1-54.

1915 (1 1/2" Slot Width)				
Slot	A	B	C	D
1	1 1/8" (29)	1 1/2" (38)	3 3/4" (95)	2 7/8" (73)
2	1 1/8" (29)	1 1/2" (38)	6" (152)	5 1/8" (130)
3	1 1/8" (29)	1 1/2" (38)	8 1/4" (210)	7 3/8" (187)
4	1 1/8" (29)	1 1/2" (38)	10 1/2" (267)	9 5/8" (244)

1920 (2" Slot Width)				
Slot	A	B	C	D
1	1 1/8" (29)	2" (51)	4 1/4" (108)	3 3/8" (86)
2	1 1/8" (29)	2" (51)	7" (178)	6 1/8" (156)
3	1 1/8" (29)	2" (51)	9 3/4" (248)	8 7/8" (225)
4	1 1/8" (29)	2" (51)	12 1/2" (318)	11 5/8" (295)

LINEAR SLOT DIFFUSERS

1900

© KRUEGER 2013

**1900 Frame Style C: Surface Mount With Concealed Fastening**
**1900, AVAILABLE SIZES: FRAME STYLE C**

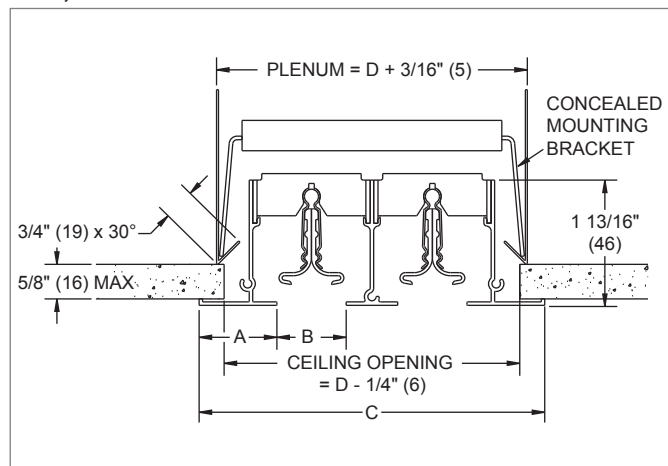
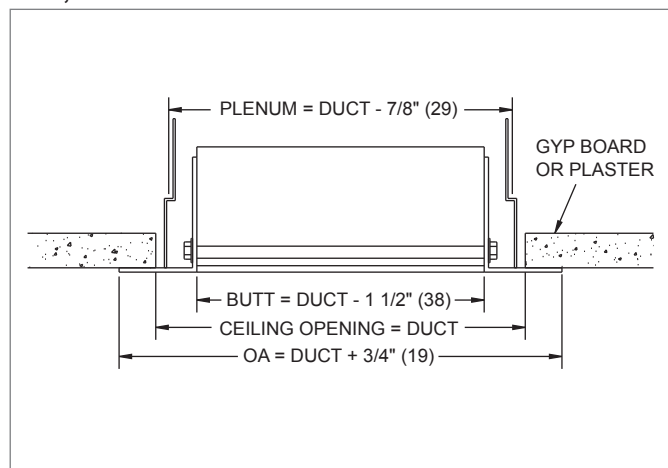
1950 (1/2" Slot Width)				
Slot	A	B	C	D
1	1 1/8" (29)	1/2" (13)	2 3/4" (70)	2" (51)
2	1 1/8" (29)	1/2" (13)	4" (102)	3 1/4" (83)
3	1 1/8" (29)	1/2" (13)	5 1/4" (133)	4 1/2" (114)
4	1 1/8" (29)	1/2" (13)	6 1/2" (165)	5 3/4" (146)
5	1 1/8" (29)	1/2" (13)	7 3/4" (197)	7" (178)
6	1 1/8" (29)	1/2" (13)	9" (229)	8 1/4" (210)
7	1 1/8" (29)	1/2" (13)	10 1/4" (260)	9 1/2" (241)
8	1 1/8" (29)	1/2" (13)	11 1/2" (292)	10 3/4" (273)

1975 (3/4" Slot Width)				
Slot	A	B	C	D
1	1 1/8" (29)	3/4" (19)	3" (76)	2 1/4" (57)
2	1 1/8" (29)	3/4" (19)	4 1/2" (114)	3 3/4" (95)
3	1 1/8" (29)	3/4" (19)	6" (152)	5 1/4" (133)
4	1 1/8" (29)	3/4" (19)	7 1/2" (191)	6 3/4" (171)
5	1 1/8" (29)	3/4" (19)	9" (229)	8 1/4" (210)
6	1 1/8" (29)	3/4" (19)	10 1/2" (267)	9 3/4" (248)
7	1 1/8" (29)	3/4" (19)	12" (305)	11 1/4" (286)
8	1 1/8" (29)	3/4" (19)	13 1/2" (343)	12 3/4" (324)

1910 (1" Slot Width)				
Slot	A	B	C	D
1	1 1/8" (29)	1" (25)	3 1/4" (83)	2 1/2" (64)
2	1 1/8" (29)	1" (25)	5" (127)	4 1/4" (108)
3	1 1/8" (29)	1" (25)	6 3/4" (171)	6" (152)
4	1 1/8" (29)	1" (25)	8 1/2" (216)	7 3/4" (197)
5	1 1/8" (29)	1" (25)	10 1/4" (260)	9 1/2" (241)
6	1 1/8" (29)	1" (25)	12" (305)	11 1/4" (286)
7	1 1/8" (29)	1" (25)	13 3/4" (349)	13" (330)
8	1 1/8" (29)	1" (25)	15 1/2" (394)	14 3/4" (375)

1915 (1 1/2" Slot Width)				
Slot	A	B	C	D
1	1 1/8" (29)	1 1/2" (38)	3 3/4" (95)	3" (76)
2	1 1/8" (29)	1 1/2" (38)	6" (152)	5 1/4" (133)
3	1 1/8" (29)	1 1/2" (38)	8 1/4" (210)	7 1/2" (191)
4	1 1/8" (29)	1 1/2" (38)	10 1/2" (267)	9 3/4" (248)

1920 (2" Slot Width)				
Slot	A	B	C	D
1	1 1/8" (29)	2" (51)	4 1/4" (108)	3 1/2" (89)
2	1 1/8" (29)	2" (51)	7" (178)	6 1/4" (159)
3	1 1/8" (29)	2" (51)	9 3/4" (248)	9" (229)
4	1 1/8" (29)	2" (51)	12 1/2" (318)	11 3/4" (298)

**1900, CROSS SECTION: FRAME STYLE C**

**1900, SIDE VIEW: FRAME STYLE C**


NOTES: Dimensions in parentheses are mm.

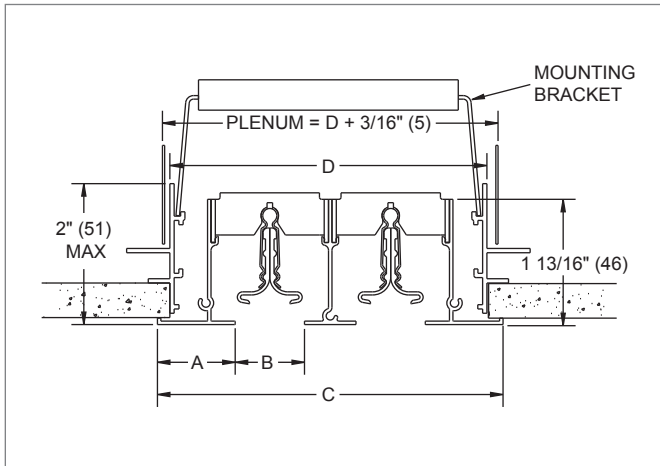
Duct = Ordered Length

OA = Overall Length

\* End caps on both ends are shown above. For other end configurations, lengths, and availability, see page E1-54.

**1900 Frame Style D: Plaster Tile Mount With Concealed Fastening**

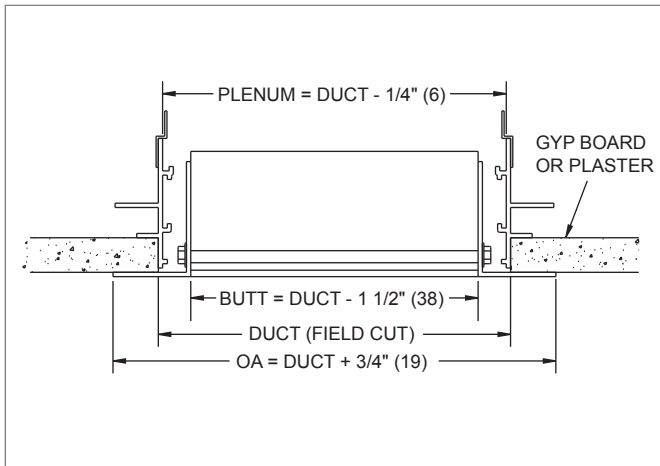
**1900, CROSS SECTION: FRAME STYLE D**



**1900, AVAILABLE SIZES: FRAME STYLE D**

1950 (1/2" Slot Width)				
Slot	A	B	C	D
1	1 1/8" (29)	1/2" (13)	2 3/4" (70)	2" (51)
2	1 1/8" (29)	1/2" (13)	4" (102)	3 1/4" (83)
3	1 1/8" (29)	1/2" (13)	5 1/4" (133)	4 1/2" (114)
4	1 1/8" (29)	1/2" (13)	6 1/2" (165)	5 3/4" (146)
5	1 1/8" (29)	1/2" (13)	7 3/4" (197)	7" (178)
6	1 1/8" (29)	1/2" (13)	9" (229)	8 1/4" (210)
7	1 1/8" (29)	1/2" (13)	10 1/4" (260)	9 1/2" (241)
8	1 1/8" (29)	1/2" (13)	11 1/2" (292)	10 3/4" (273)

**1900, SIDE VIEW: FRAME STYLE D**



1975 (3/4" Slot Width)				
Slot	A	B	C	D
1	1 1/8" (29)	3/4" (19)	3" (76)	2 1/4" (57)
2	1 1/8" (29)	3/4" (19)	4 1/2" (114)	3 3/4" (95)
3	1 1/8" (29)	3/4" (19)	6" (152)	5 1/4" (133)
4	1 1/8" (29)	3/4" (19)	7 1/2" (191)	6 3/4" (171)
5	1 1/8" (29)	3/4" (19)	9" (229)	8 1/4" (210)
6	1 1/8" (29)	3/4" (19)	10 1/2" (267)	9 3/4" (248)
7	1 1/8" (29)	3/4" (19)	12" (305)	11 1/4" (286)
8	1 1/8" (29)	3/4" (19)	13 1/2" (343)	12 3/4" (324)

1910 (1" Slot Width)				
Slot	A	B	C	D
1	1 1/8" (29)	1" (25)	3 1/4" (83)	2 1/2" (64)
2	1 1/8" (29)	1" (25)	5" (127)	4 1/4" (108)
3	1 1/8" (29)	1" (25)	6 3/4" (171)	6" (152)
4	1 1/8" (29)	1" (25)	8 1/2" (216)	7 3/4" (197)
5	1 1/8" (29)	1" (25)	10 1/4" (260)	9 1/2" (241)
6	1 1/8" (29)	1" (25)	12" (305)	11 1/4" (286)
7	1 1/8" (29)	1" (25)	13 3/4" (349)	13" (330)
8	1 1/8" (29)	1" (25)	15 1/2" (394)	14 3/4" (375)

NOTES: Dimensions in parentheses are mm.

Duct = Ordered Length

OA = Overall Length

\* End caps on both ends are shown above. For other end configurations, lengths, and availability, see page E1-54.

1915 (1 1/2" Slot Width)				
Slot	A	B	C	D
1	1 1/8" (29)	1 1/2" (38)	3 3/4" (95)	3" (76)
2	1 1/8" (29)	1 1/2" (38)	6" (152)	5 1/4" (133)
3	1 1/8" (29)	1 1/2" (38)	8 1/4" (210)	7 1/2" (191)
4	1 1/8" (29)	1 1/2" (38)	10 1/2" (267)	9 3/4" (248)

1920 (2" Slot Width)				
Slot	A	B	C	D
1	1 1/8" (29)	2" (51)	4 1/4" (108)	3 1/2" (89)
2	1 1/8" (29)	2" (51)	7" (178)	6 1/4" (159)
3	1 1/8" (29)	2" (51)	9 3/4" (248)	9" (229)
4	1 1/8" (29)	2" (51)	12 1/2" (318)	11 3/4" (298)

LINEAR SLOT DIFFUSERS

1  
9  
0  
0

**1900 Frame Style E: Surface Mount With Sub-frame & Concealed Fastening**
**1900, AVAILABLE SIZES: FRAME STYLE E**

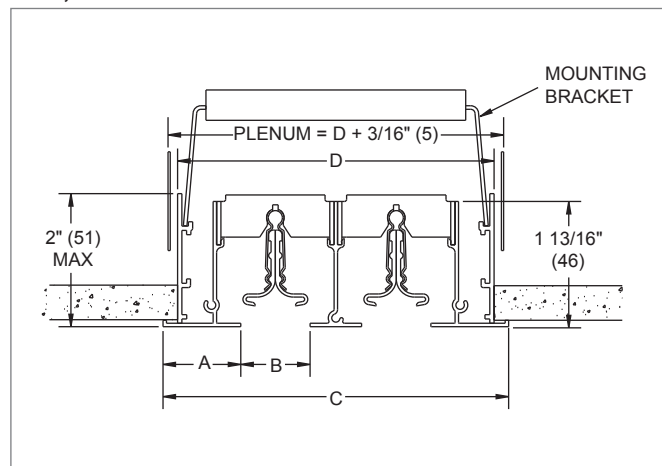
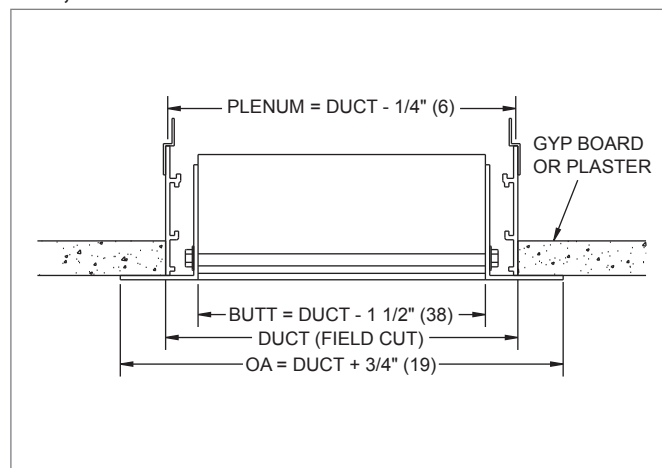
1950 (1/2" Slot Width)				
Slot	A	B	C	D
1	1 1/8" (29)	1/2" (13)	2 3/4" (70)	2" (51)
2	1 1/8" (29)	1/2" (13)	4" (102)	3 1/4" (83)
3	1 1/8" (29)	1/2" (13)	5 1/4" (133)	4 1/2" (114)
4	1 1/8" (29)	1/2" (13)	6 1/2" (165)	5 3/4" (146)
5	1 1/8" (29)	1/2" (13)	7 3/4" (197)	7" (178)
6	1 1/8" (29)	1/2" (13)	9" (229)	8 1/4" (210)
7	1 1/8" (29)	1/2" (13)	10 1/4" (260)	9 1/2" (241)
8	1 1/8" (29)	1/2" (13)	11 1/2" (292)	10 3/4" (273)

1975 (3/4" Slot Width)				
Slot	A	B	C	D
1	1 1/8" (29)	3/4" (19)	3" (76)	2 1/4" (57)
2	1 1/8" (29)	3/4" (19)	4 1/2" (114)	3 3/4" (95)
3	1 1/8" (29)	3/4" (19)	6" (152)	5 1/4" (133)
4	1 1/8" (29)	3/4" (19)	7 1/2" (191)	6 3/4" (171)
5	1 1/8" (29)	3/4" (19)	9" (229)	8 1/4" (210)
6	1 1/8" (29)	3/4" (19)	10 1/2" (267)	9 3/4" (248)
7	1 1/8" (29)	3/4" (19)	12" (305)	11 1/4" (286)
8	1 1/8" (29)	3/4" (19)	13 1/2" (343)	12 3/4" (324)

1910 (1" Slot Width)				
Slot	A	B	C	D
1	1 1/8" (29)	1" (25)	3 1/4" (83)	2 1/2" (64)
2	1 1/8" (29)	1" (25)	5" (127)	4 1/4" (108)
3	1 1/8" (29)	1" (25)	6 3/4" (171)	6" (152)
4	1 1/8" (29)	1" (25)	8 1/2" (216)	7 3/4" (197)
5	1 1/8" (29)	1" (25)	10 1/4" (260)	9 1/2" (241)
6	1 1/8" (29)	1" (25)	12" (305)	11 1/4" (286)
7	1 1/8" (29)	1" (25)	13 3/4" (349)	13" (330)
8	1 1/8" (29)	1" (25)	15 1/2" (394)	14 3/4" (375)

1915 (1 1/2" Slot Width)				
Slot	A	B	C	D
1	1 1/8" (29)	1 1/2" (38)	3 3/4" (95)	3" (76)
2	1 1/8" (29)	1 1/2" (38)	6" (152)	5 1/4" (133)
3	1 1/8" (29)	1 1/2" (38)	8 1/4" (210)	7 1/2" (191)
4	1 1/8" (29)	1 1/2" (38)	10 1/2" (267)	9 3/4" (248)

1920 (2" Slot Width)				
Slot	A	B	C	D
1	1 1/8" (29)	2" (51)	4 1/4" (108)	3 1/2" (89)
2	1 1/8" (29)	2" (51)	7" (178)	6 1/4" (159)
3	1 1/8" (29)	2" (51)	9 3/4" (248)	9" (229)
4	1 1/8" (29)	2" (51)	12 1/2" (318)	11 3/4" (298)

**1900, CROSS SECTION: FRAME STYLE E**

**1900, SIDE VIEW: FRAME STYLE E**


NOTES: Dimensions in parentheses are mm.

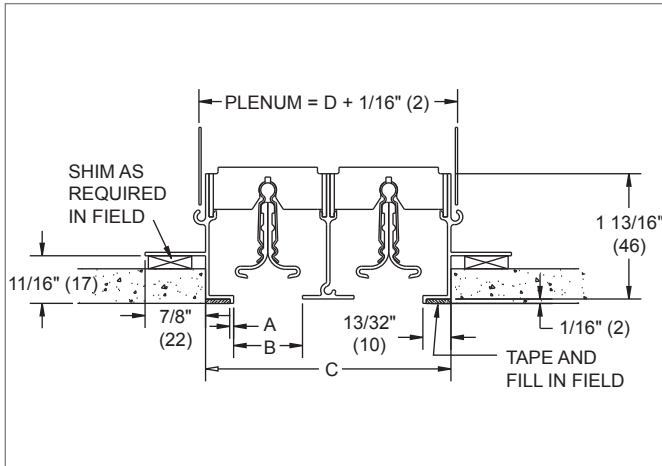
Duct = Ordered Length

OA = Overall Length

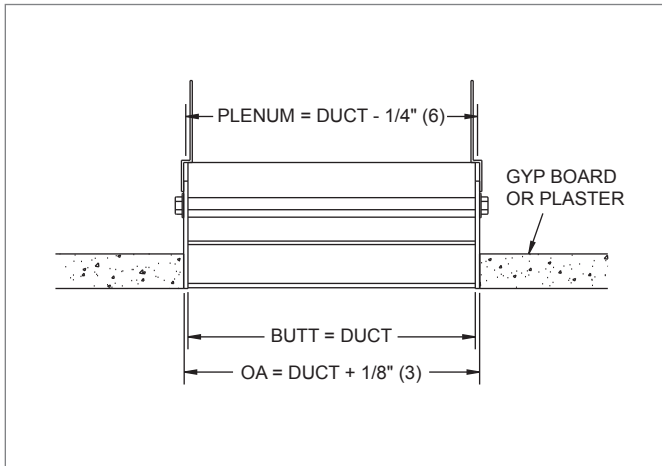
\* End caps on both ends are shown above. For other end configurations, lengths, and availability, see page E1-54.

**1900 Frame Style F: "Discrete" Plaster Mount With Concealed Frame**

**1900, CROSS SECTION: FRAME STYLE F**



**1900, SIDE VIEW: FRAME STYLE F**



NOTES: Dimensions in parentheses are mm.

Duct = Ordered Length

OA = Overall Length

\* End plates on both ends are shown above. For other end configurations, lengths, and availability, see page E1-54.

**1900, AVAILABLE SIZES: FRAME STYLE F**

1950 (1/2" Slot Width)				
Slot	A	B	C	D
1	1/16" (2)	1/2" (13)	1 5/16" (33)	1 3/8" (35)
2	1/16" (2)	1/2" (13)	2 9/16" (65)	2 5/8" (67)
3	1/16" (2)	1/2" (13)	3 13/16" (97)	3 7/8" (98)
4	1/16" (2)	1/2" (13)	5 1/16" (129)	5 1/8" (130)
5	1/16" (2)	1/2" (13)	6 5/16" (160)	6 3/8" (162)
6	1/16" (2)	1/2" (13)	7 9/16" (192)	7 5/8" (194)
7	1/16" (2)	1/2" (13)	8 13/16" (224)	8 7/8" (225)
8	1/16" (2)	1/2" (13)	10 1/16" (256)	10 1/8" (257)

1975 (3/4" Slot Width)				
Slot	A	B	C	D
1	1/16" (2)	3/4" (19)	1 9/16" (40)	1 5/8" (41)
2	1/16" (2)	3/4" (19)	3 1/16" (78)	3 1/8" (79)
3	1/16" (2)	3/4" (19)	4 9/16" (116)	4 5/8" (117)
4	1/16" (2)	3/4" (19)	6 1/16" (154)	6 1/8" (156)
5	1/16" (2)	3/4" (19)	7 9/16" (192)	7 5/8" (194)
6	1/16" (2)	3/4" (19)	9 1/16" (230)	9 1/8" (232)
7	1/16" (2)	3/4" (19)	10 9/16" (268)	10 5/8" (270)
8	1/16" (2)	3/4" (19)	12 1/16" (306)	12 1/8" (308)

1910 (1" Slot Width)				
Slot	A	B	C	D
1	1/16" (2)	1" (25)	1 13/16" (46)	1 7/8" (48)
2	1/16" (2)	1" (25)	3 9/16" (90)	3 5/8" (92)
3	1/16" (2)	1" (25)	5 5/16" (135)	5 3/8" (137)
4	1/16" (2)	1" (25)	7 1/16" (179)	7 1/8" (181)
5	1/16" (2)	1" (25)	8 13/16" (224)	8 7/8" (225)
6	1/16" (2)	1" (25)	10 9/16" (268)	10 5/8" (270)
7	1/16" (2)	1" (25)	12 5/16" (313)	12 3/8" (314)
8	1/16" (2)	1" (25)	14 1/16" (357)	14 1/8" (359)

1915 (1 1/2" Slot Width)				
Slot	A	B	C	D
1	1/16" (2)	1 1/2" (38)	2 5/16" (59)	2 3/8" (60)
2	1/16" (2)	1 1/2" (38)	4 9/16" (116)	4 5/8" (117)
3	1/16" (2)	1 1/2" (38)	6 13/16" (173)	6 7/8" (175)
4	1/16" (2)	1 1/2" (38)	9 1/16" (230)	9 1/8" (232)

1920 (2" Slot Width)				
Slot	A	B	C	D
1	1/16" (2)	2" (51)	2 13/16" (71)	2 7/8" (73)
2	1/16" (2)	2" (51)	5 9/16" (141)	5 5/8" (143)
3	1/16" (2)	2" (51)	8 5/16" (211)	8 3/8" (213)
4	1/16" (2)	2" (51)	11 1/16" (281)	11 1/8" (283)

LINEAR SLOT DIFFUSERS

1900

© KRUEGER 2013

**1900 Frame Style I: Spline Ceiling**
**1900, AVAILABLE SIZES: FRAME STYLE I**

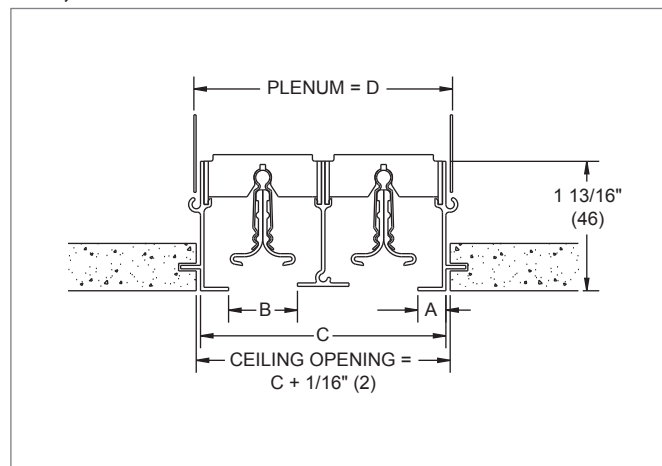
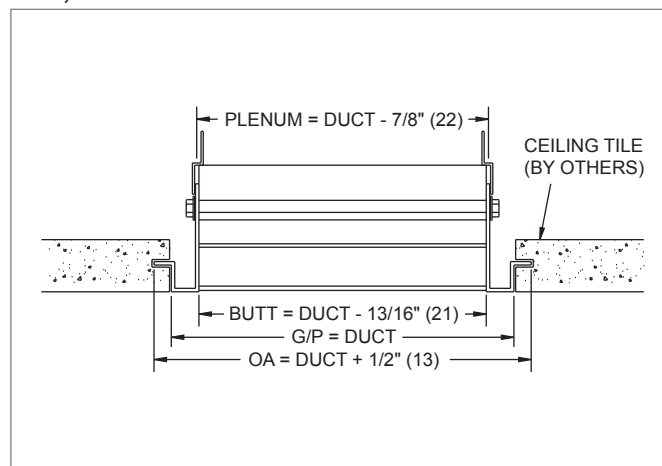
1950 (1/2" Slot Width)				
Slot	A	B	C	D
1	7/16" (11)	1/2" (13)	1 3/8" (35)	1 7/16" (37)
2	7/16" (11)	1/2" (13)	2 5/8" (67)	2 11/16" (68)
3	7/16" (11)	1/2" (13)	3 7/8" (98)	3 15/16" (100)
4	7/16" (11)	1/2" (13)	5 1/8" (130)	5 3/16" (132)
5	7/16" (11)	1/2" (13)	6 3/8" (162)	6 7/16" (164)
6	7/16" (11)	1/2" (13)	7 5/8" (194)	7 11/16" (195)
7	7/16" (11)	1/2" (13)	8 7/8" (225)	8 15/16" (227)
8	7/16" (11)	1/2" (13)	10 1/8" (257)	10 3/16" (259)

1975 (3/4" Slot Width)				
Slot	A	B	C	D
1	7/16" (11)	3/4" (19)	1 5/8" (41)	1 11/16" (43)
2	7/16" (11)	3/4" (19)	3 1/8" (79)	3 3/16" (81)
3	7/16" (11)	3/4" (19)	4 5/8" (117)	4 11/16" (119)
4	7/16" (11)	3/4" (19)	6 1/8" (156)	6 3/16" (157)
5	7/16" (11)	3/4" (19)	7 5/8" (194)	7 11/16" (195)
6	7/16" (11)	3/4" (19)	9 1/8" (232)	9 3/16" (233)
7	7/16" (11)	3/4" (19)	10 5/8" (270)	10 11/16" (271)
8	7/16" (11)	3/4" (19)	12 1/8" (308)	12 3/16" (310)

1910 (1" Slot Width)				
Slot	A	B	C	D
1	7/16" (11)	1" (25)	1 7/8" (48)	1 15/16" (49)
2	7/16" (11)	1" (25)	3 5/8" (92)	3 11/16" (94)
3	7/16" (11)	1" (25)	5 3/8" (137)	5 7/16" (138)
4	7/16" (11)	1" (25)	7 1/8" (181)	7 3/16" (183)
5	7/16" (11)	1" (25)	8 7/8" (225)	8 15/16" (227)
6	7/16" (11)	1" (25)	10 5/8" (270)	10 11/16" (271)
7	7/16" (11)	1" (25)	12 3/8" (314)	12 7/16" (316)
8	7/16" (11)	1" (25)	14 1/8" (359)	14 3/16" (360)

1915 (1 1/2" Slot Width)				
Slot	A	B	C	D
1	7/16" (11)	1 1/2" (38)	2 3/8" (60)	2 7/16" (62)
2	7/16" (11)	1 1/2" (38)	4 5/8" (117)	4 11/16" (119)
3	7/16" (11)	1 1/2" (38)	6 7/8" (175)	6 15/16" (176)
4	7/16" (11)	1 1/2" (38)	9 1/8" (232)	9 3/16" (233)

1920 (2" Slot Width)				
Slot	A	B	C	D
1	7/16" (11)	2" (51)	2 7/8" (73)	2 15/16" (75)
2	7/16" (11)	2" (51)	5 5/8" (143)	5 11/16" (144)
3	7/16" (11)	2" (51)	8 3/8" (213)	8 7/16" (214)
4	7/16" (11)	2" (51)	11 1/8" (283)	11 3/16" (284)

**1900, CROSS SECTION: FRAME STYLE I**

**1900, SIDE VIEW: FRAME STYLE I**


NOTES: Dimensions in parentheses are mm.

Duct = Ordered Length

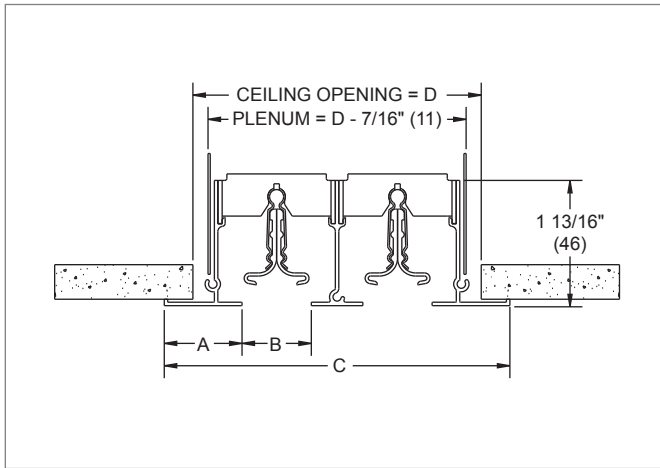
OA = Overall Length

G/P = Grid/Panel

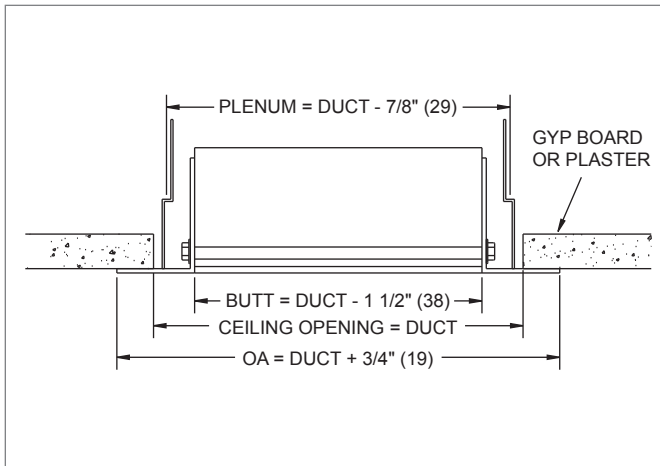
\* End caps on both ends are shown above. For other end configurations, lengths, and availability, see page E1-54.

**1900 Frame Style J: Surface Mount With No Screw Holes**

**1900, CROSS SECTION: FRAME STYLE J**



**1900, SIDE VIEW: FRAME STYLE J**



NOTES: Dimensions in parentheses are mm.

Duct = Ordered Length

OA = Overall Length

\* End caps on both ends are shown above. For other end configurations, lengths, and availability, see page E1-54.

**1900, AVAILABLE SIZES: FRAME STYLE J**

1950 (1/2" Slot Width)				
Slot	A	B	C	D
1	1 1/8" (29)	1/2" (13)	2 3/4" (70)	1 7/8" (48)
2	1 1/8" (29)	1/2" (13)	4" (102)	3 1/8" (79)
3	1 1/8" (29)	1/2" (13)	5 1/4" (133)	4 3/8" (111)
4	1 1/8" (29)	1/2" (13)	6 1/2" (165)	5 5/8" (143)
5	1 1/8" (29)	1/2" (13)	7 3/4" (197)	6 7/8" (175)
6	1 1/8" (29)	1/2" (13)	9" (229)	8 1/8" (206)
7	1 1/8" (29)	1/2" (13)	10 1/4" (260)	9 3/8" (238)
8	1 1/8" (29)	1/2" (13)	11 1/2" (292)	10 5/8" (270)

1975 (3/4" Slot Width)				
Slot	A	B	C	D
1	1 1/8" (29)	3/4" (19)	3" (76)	2 1/8" (54)
2	1 1/8" (29)	3/4" (19)	4 1/2" (114)	3 5/8" (92)
3	1 1/8" (29)	3/4" (19)	6" (152)	5 1/8" (130)
4	1 1/8" (29)	3/4" (19)	7 1/2" (191)	6 5/8" (168)
5	1 1/8" (29)	3/4" (19)	9" (229)	8 1/8" (206)
6	1 1/8" (29)	3/4" (19)	10 1/2" (267)	9 5/8" (244)
7	1 1/8" (29)	3/4" (19)	12" (305)	11 1/8" (283)
8	1 1/8" (29)	3/4" (19)	13 1/2" (343)	12 5/8" (321)

1910 (1" Slot Width)				
Slot	A	B	C	D
1	1 1/8" (29)	1" (25)	3 1/4" (83)	2 3/8" (60)
2	1 1/8" (29)	1" (25)	5" (127)	4 1/8" (105)
3	1 1/8" (29)	1" (25)	6 3/4" (171)	5 7/8" (149)
4	1 1/8" (29)	1" (25)	8 1/2" (216)	7 5/8" (194)
5	1 1/8" (29)	1" (25)	10 1/4" (260)	9 3/8" (238)
6	1 1/8" (29)	1" (25)	12" (305)	11 1/8" (283)
7	1 1/8" (29)	1" (25)	13 3/4" (349)	12 7/8" (327)
8	1 1/8" (29)	1" (25)	15 1/2" (394)	14 5/8" (371)

1915 (1 1/2" Slot Width)				
Slot	A	B	C	D
1	1 1/8" (29)	1 1/2" (38)	3 3/4" (95)	2 7/8" (73)
2	1 1/8" (29)	1 1/2" (38)	6" (152)	5 1/8" (130)
3	1 1/8" (29)	1 1/2" (38)	8 1/4" (210)	7 3/8" (187)
4	1 1/8" (29)	1 1/2" (38)	10 1/2" (267)	9 5/8" (244)

1920 (2" Slot Width)				
Slot	A	B	C	D
1	1 1/8" (29)	2" (51)	4 1/4" (108)	3 3/8" (86)
2	1 1/8" (29)	2" (51)	7" (178)	6 1/8" (156)
3	1 1/8" (29)	2" (51)	9 3/4" (248)	8 7/8" (225)
4	1 1/8" (29)	2" (51)	12 1/2" (318)	11 5/8" (295)

LINEAR SLOT DIFFUSERS

1900

© KRUEGER 2013



**1900 Frame Style K: Narrow Bolted T-Bar**
**1900, AVAILABLE SIZES: FRAME STYLE K**

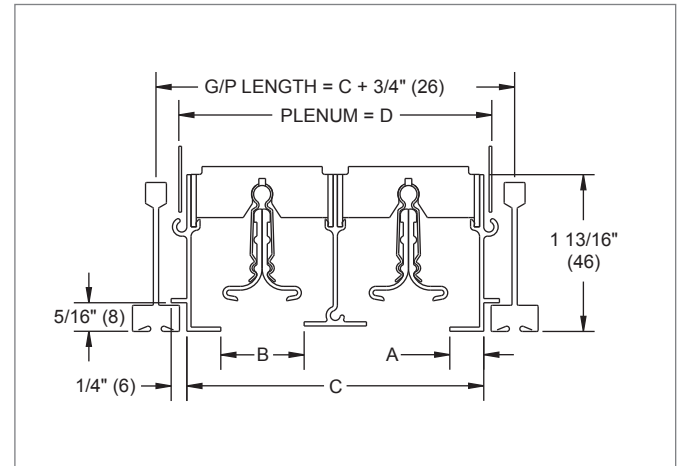
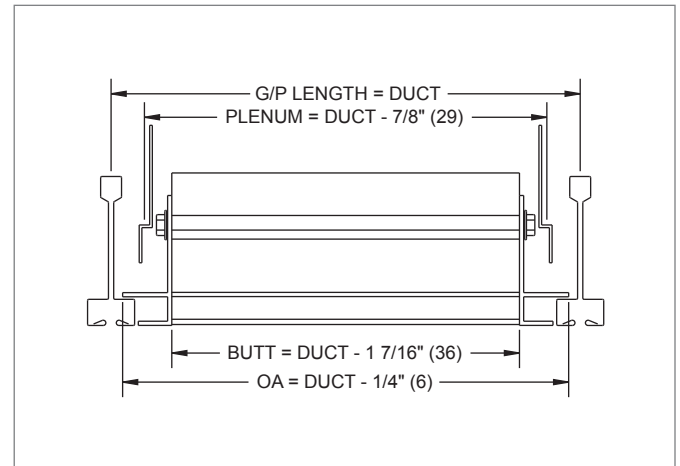
1950 (1/2" Slot Width)				
Slot	A	B	C	D
1	13/32" (10)	1/2" (13)	1 5/16" (33)	1 7/16" (37)
2	13/32" (10)	1/2" (13)	2 9/16" (65)	2 11/16" (68)
3	13/32" (10)	1/2" (13)	3 13/16" (97)	3 15/16" (100)
4	13/32" (10)	1/2" (13)	5 1/16" (129)	5 3/16" (132)
5	13/32" (10)	1/2" (13)	6 5/16" (160)	6 7/16" (164)
6	13/32" (10)	1/2" (13)	7 9/16" (192)	7 11/16" (195)
7	13/32" (10)	1/2" (13)	8 13/16" (224)	8 15/16" (227)
8	13/32" (10)	1/2" (13)	10 1/16" (256)	10 3/16" (259)

1975 (3/4" Slot Width)				
Slot	A	B	C	D
1	13/32" (10)	3/4" (19)	1 9/16" (40)	1 11/16" (43)
2	13/32" (10)	3/4" (19)	3 1/16" (78)	3 3/16" (81)
3	13/32" (10)	3/4" (19)	4 9/16" (116)	4 11/16" (119)
4	13/32" (10)	3/4" (19)	6 1/16" (154)	6 3/16" (157)
5	13/32" (10)	3/4" (19)	7 9/16" (192)	7 11/16" (195)
6	13/32" (10)	3/4" (19)	9 1/16" (230)	9 3/16" (233)
7	13/32" (10)	3/4" (19)	10 9/16" (268)	10 11/16" (271)
8	13/32" (10)	3/4" (19)	12 1/16" (306)	12 3/16" (310)

1910 (1" Slot Width)				
Slot	A	B	C	D
1	13/32" (10)	1" (25)	1 13/16" (46)	1 15/16" (49)
2	13/32" (10)	1" (25)	3 9/16" (90)	3 11/16" (94)
3	13/32" (10)	1" (25)	5 5/16" (135)	5 7/16" (138)
4	13/32" (10)	1" (25)	7 1/16" (179)	7 3/16" (183)
5	13/32" (10)	1" (25)	8 13/16" (224)	8 15/16" (227)
6	13/32" (10)	1" (25)	10 9/16" (268)	10 11/16" (271)
7	13/32" (10)	1" (25)	12 5/16" (313)	12 7/16" (316)
8	13/32" (10)	1" (25)	14 1/16" (357)	14 3/16" (360)

1915 (1 1/2" Slot Width)				
Slot	A	B	C	D
1	13/32" (10)	1 1/2" (38)	2 5/16" (59)	2 7/16" (62)
2	13/32" (10)	1 1/2" (38)	4 9/16" (116)	4 11/16" (119)
3	13/32" (10)	1 1/2" (38)	6 13/16" (173)	6 15/16" (176)
4	13/32" (10)	1 1/2" (38)	9 1/16" (230)	9 3/16" (233)

1920 (2" Slot Width)				
Slot	A	B	C	D
1	13/32" (10)	2" (51)	2 13/16" (71)	2 15/16" (75)
2	13/32" (10)	2" (51)	5 9/16" (141)	5 11/16" (144)
3	13/32" (10)	2" (51)	8 5/16" (211)	8 7/16" (214)
4	13/32" (10)	2" (51)	11 1/16" (281)	11 3/16" (284)

**1900, CROSS SECTION: FRAME STYLE K**

**1900, SIDE VIEW: FRAME STYLE K**


NOTES: Dimensions in parentheses are mm.

Duct = Ordered Length

OA = Overall Length

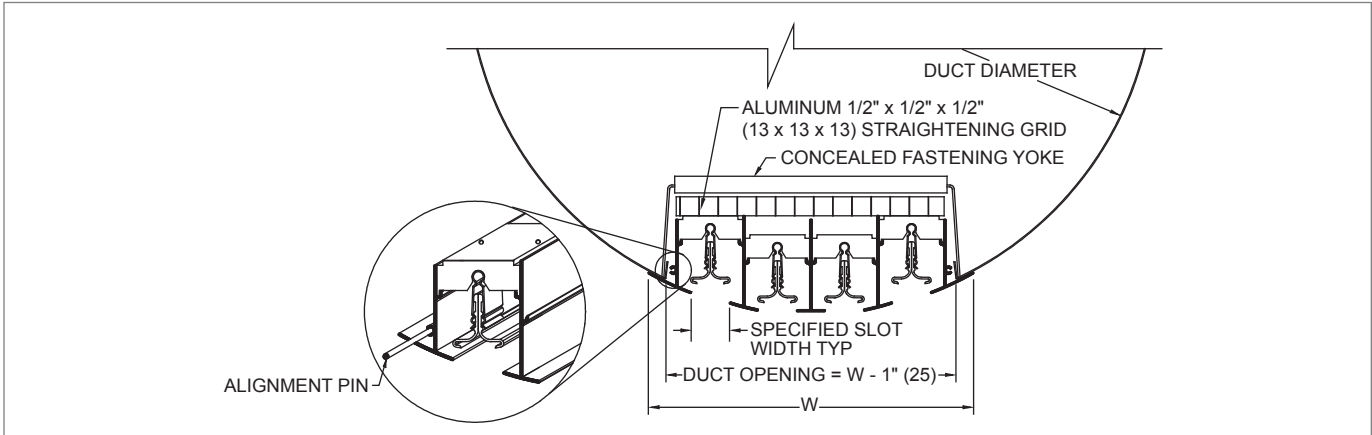
G/P = Grid/Panel

\* End caps on both ends are shown above. For other end configurations, lengths, and availability, see page E1-54.

1900 | Supply/Return Linear Slot Diffuser

**1900 Frame Style L: Spiral Duct Mount**

1900, CROSS SECTION: FRAME STYLE L



1900, AVAILABLE SIZES: FRAME STYLE L

1975 SLOTS	DUCT DIAMETER Ø	W	DO	S
1	10" (254) - 24" (610)	3" (76)	2" (51)	0.75" (19)
2	12" (305) - 24" (610)	4.5" (114)	3.5" (89)	
3	14" (356) - 30" (762)	6" (152)	5" (127)	
4	20" (508) - 30" (762)	7.5" (191)	6.5" (165)	
5	28" (711) - 48" (1219)	9" (229)	8" (203)	

1910 SLOTS	DUCT DIAMETER Ø	W	DO	S
1	10" (254) - 24" (610)	3.25" (83)	2.25" (57)	0.75" (19)
2	12" (305) - 28" (711)	5" (127)	4" (102)	
3	16" (406) - 32" (813)	6.75" (171)	5.75" (146)	
4	26" (660) - 48" (1219)	8.5" (216)	7.5" (191)	
5	36" (914) - 48" (1219)	10.25" (260)	9.25" (235)	

NOTES: Dimensions in parentheses are mm. See page E1-54 for length details.

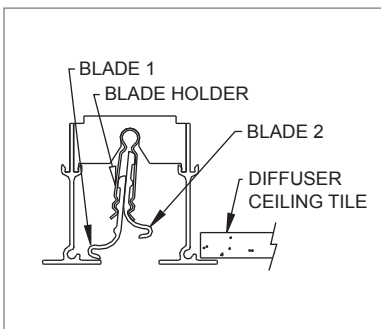
**1900 Airflow Adjustment & Details**

**AIRFLOW ADJUSTMENT**

The 1900 is capable of both volume and directional control. The blades pivot and slide up and down to give you total flexibility and control.

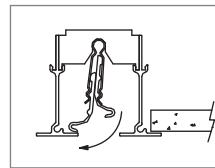
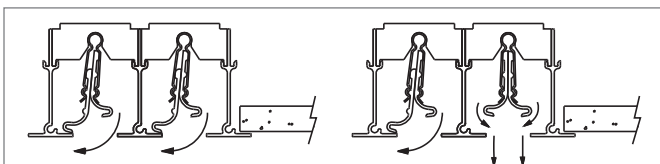
In the Blade Detail (below), locate the blades and blade holder. Each blade has three positions - up, mid, and down. Similarly, the blade holder has three positions - out, center, and in.

**1900, BLADE DETAIL**



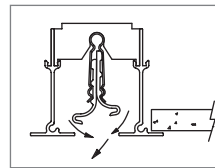
For this example, the blade holder is set to out; blade one is down and blade two is up. Keep in mind that slight variations in blade adjustment can have a big effect. The examples shown here are only a guide. In critical zones, actual airflow direction should be verified visually or by measurement.

**MULTIPLE DIRECTIONAL THROW**



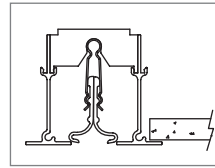
**HORIZONTAL FULL FLOW**

Blade Holder = Out  
Blade 1 = Down  
Blade 2 = Up  
Result: Creates tight ceiling pattern.



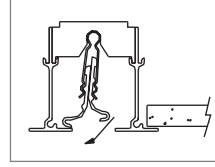
**ANGLED FLOW**

Blade Holder = Center  
Blade 1 = Mid  
Blade 2 = Up  
Result: Deflects the pattern down slightly.



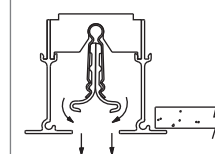
**FULL DAMPERED**

Blade Holder = Center  
Blade 1 = Down  
Blade 2 = Down  
Result: Full dampered flow that is to be used for volume control only.



**HORIZONTAL DAMPERED FLOW**

Blade Holder = Out  
Blade 1 = Down  
Blade 2 = Mid  
Result: Creates tight ceiling pattern with reduced air volume.



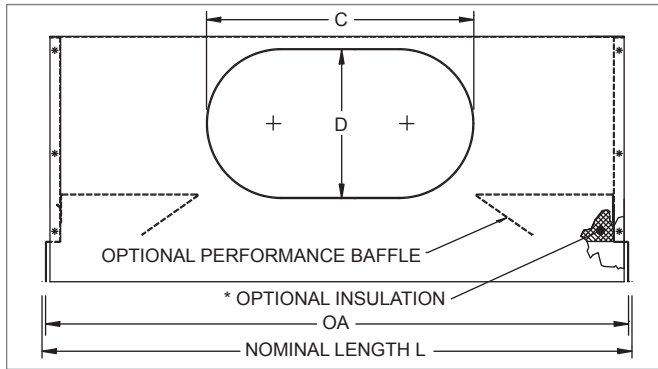
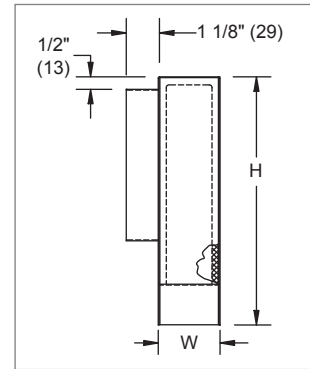
**VERTICAL FLOW, BLADES UP**

Blade Holder = Center  
Blade 1 = Up  
Blade 2 = Up  
Result: Directs airflow downward; move both blades to mid for reduced flow.

LINEAR SLOT DIFFUSERS

1900

© KRUEGER 2013

**1900BOOT Accessories**
**1900BOOT, FACE VIEW**

**BOOT SIDE VIEW**

**BOOT AVAILABLE SIZES**

Inlet Size	C	D
6" Oval	6 1/4" (159)	5 1/4" (133)
8" Oval	9 3/8" (238)	5 1/4" (133)
10" Oval	12 1/2" (318)	5 1/4" (133)
12" Oval	14 1/8" (359)	7 7/8" (200)

**1900BOOT, AVAILABLE LENGTHS**

Model	Nominal Length L	Nominal Inlet Size
1950, 1975, 1910, 1915	24" (610), 36" (914)	6, 8, 10
1920	48" (1219), 60" (1524), 72" (1829)	6, 8, 10, 12

End Border	Frame Styles	
	A, B, C, F, I, J, & K	D & E
	OA	
"E" (2) End Caps	L - 7/8" (22)	L - 1/4" (6)
"B" (2) Butt Cut	L - 1/4" (6)	L - 1/4" (6)
"P" (2) End Plates	L - 1/4" (6)	L - 1/4" (6)

Nominal Length L	Nominal Inlet Size
A, B, D, E, F, I, J, K	10.625" (270)
C	11" (280)

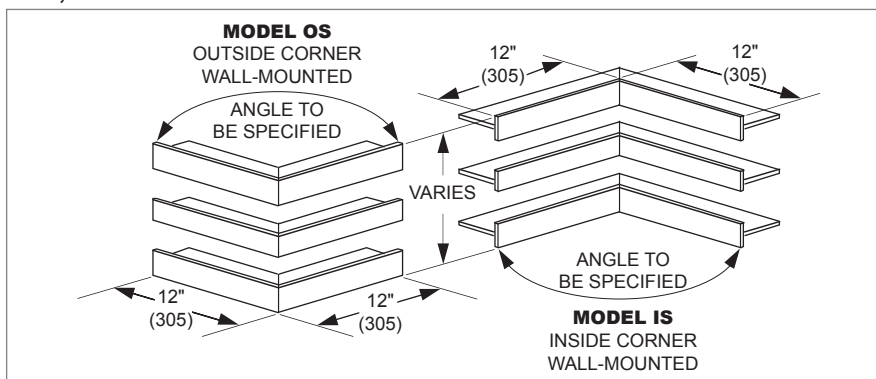
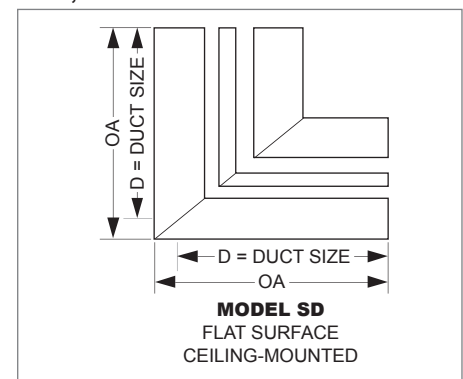
NOTES: Dimensions in parentheses are mm. 'OA' is overall length.

**1900BOOT, AVAILABLE WIDTHS**

Model	W Dimension for Frames A, B, F, I, J, & K			
	Number of Slots			
	1	2	3	4
1950	1 7/16" (37)	2 11/16" (68)	3 15/16" (100)	5 3/16" (132)
1975	1 11/16" (43)	3 3/16" (81)	4 11/16" (119)	6 3/16" (157)
1910	1 15/16" (49)	3 11/16" (94)	5 7/16" (138)	7 3/16" (183)
1915	2 7/16" (62)	4 11/16" (119)	6 15/16" (176)	9 3/16" (233)
1920	2 15/16" (75)	5 11/16" (144)	8 7/16" (214)	11 3/16" (284)

Model	W Dimension for Frames C, D, & E			
	Number of Slots			
	1	2	3	4
1950	2 3/16" (56)	3 7/16" (87)	4 11/16" (119)	5 15/16" (151)
1975	2 7/16" (62)	3 15/16" (100)	5 7/16" (138)	6 15/16" (176)
1910	2 11/16" (68)	4 7/16" (113)	6 3/16" (157)	7 15/16" (202)
1915	3 3/16" (81)	5 7/16" (138)	7 11/16" (195)	9 15/16" (252)
1920	3 11/16" (94)	6 7/16" (164)	9 3/16" (233)	11 15/16" (303)

LINEAR SLOT DIFFUSERS

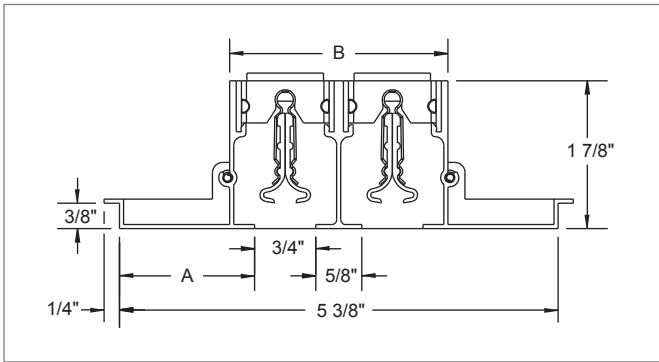
**1900 Accessories: Mitered Corners**
**1900, MITERED CORNERS: OS & IS**

**1900, MITERED CORNER: SD**

**1900, MITERED CORNER AVAILABLE SIZES**

MODEL	Number of Slots	Frames							
		B, J		C, E, D		A		F, K, I	
		OA	D	OA	D	OA	D	OA	D
1950, 1975, 1910	1, 2	12 7/16" (316)	12" (305)	12 3/8" (314)	12" (305)	12 5/16" (313)	12" (305)	12" (305)	12" (305)
	3, 4, 5, 6, 7, 8	24 7/16" (621)	24" (610)	24 3/8" (619)	24" (610)	24 5/16" (618)	24" (610)	24" (610)	24" (610)
1915, 1920	1, 2	12 7/16" (316)	12" (305)	12 3/8" (314)	12" (305)	12 5/16" (313)	12" (305)	12" (305)	12" (305)
	3, 4	30 7/16" (773)	30" (762)	30 3/8" (772)	30" (762)	30 5/16" (770)	30" (762)	30" (762)	30" (762)

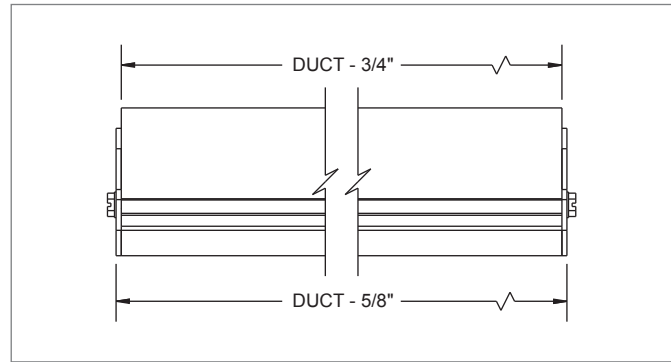
NOTES: Dimensions in parentheses are mm. 'OA' is overall length. Mitered corner available in 135°; see website for applicable dimensions.

**1900 TechZone® Frame Styles**

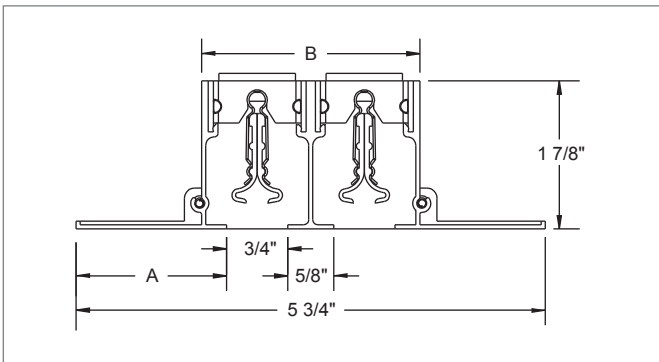
**1900, CROSS SECTION: FRAME STYLE N**



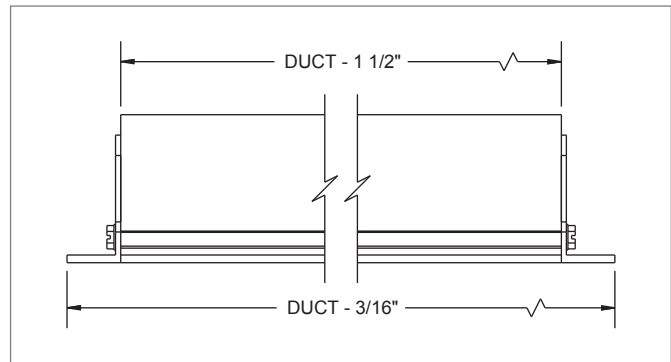
**1900, SIDE VIEW: FRAME STYLE N**



**1900, CROSS SECTION: FRAME STYLE S**



**1900, SIDE VIEW: FRAME STYLE S**



**1900, AVAILABLE SIZES: FRAME STYLE N**

1920 (3/4" Slot Width)		
Slot	A	B
1	2 3/8" (60)	1 3/8" (35)
2	1 5/8" (41)	2 5/8" (67)
3	1" (25)	4" (102)
4	3/8" (10)	5 1/4" (133)

**1900, AVAILABLE SIZES: FRAME STYLE S**

1975 (3/4" Slot Width)		
Slot	A	B
1	2 1/2" (64)	1 3/8" (35)
2	1 7/8" (48)	2 5/8" (67)
3	1 1/4" (32)	4" (102)
4	1/2" (13)	5 1/4" (133)

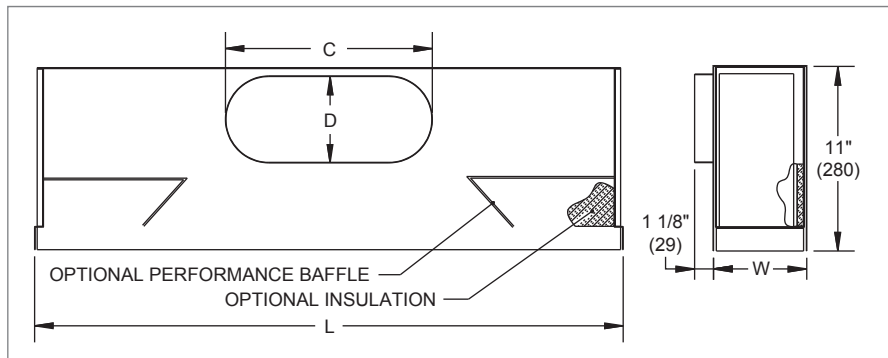
NOTES: TechZone™ is a registered trademark of Armstrong®.

Dimensions in parentheses are mm.

Duct = Ordered Length OA = Overall Length

\* End caps on both ends are shown above. For other end configurations, lengths, and availability, see page E1-54.

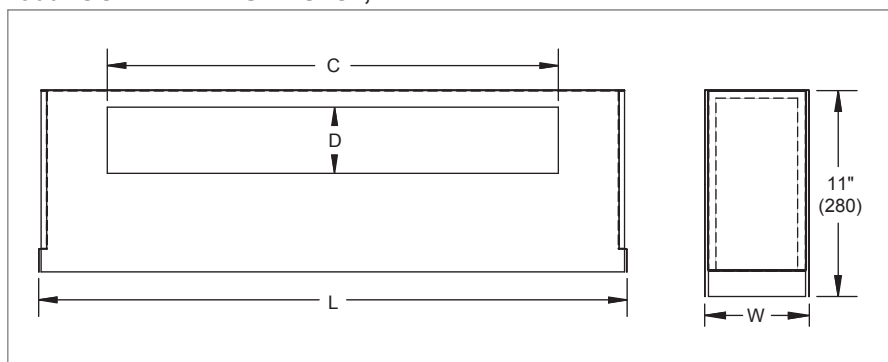
LINEAR SLOT DIFFUSERS

**1900BOOT TechZone® Accessories**
**1900BOOT, FACE VIEW**

**1900BOOT AVAILABLE SIZES**

Inlet Size	C	D
6" Oval	6 1/4" (159)	5 1/4" (133)
8" Oval	9 3/8" (238)	5 1/4" (133)
10" Oval	12 1/2" (318)	5 1/4" (133)
12" Oval	15 5/8" (397)	5 1/4" (133)
RR Return*	L - 8 1/4" (210)	4" (102)
RR Return**	L - 8.72" (221)	4" (102)

**1900BOOT AVAILABLE LENGTHS**

Nominal Length	L
24" (610)	23 1/8" (587)
30" (762)	29 1/8" (740)
36" (914)	35 1/8" (892)
48" (1219)	47 1/8" (1199)
60" (1524)	59 1/8" (1502)
72" (1829)	71 1/8" (1807)

**1900BOOT RR - RETURN SLOT, FACE VIEW**

**1900BOOT AVAILABLE WIDTHS**

Number of Slots	L
1	1 7/16" (37)
2	2 11/16" (68)
3	4 1/8" (105)
4	5 7/16" (138)

NOTES: TechZone™ is a registered trademark of Armstrong®.

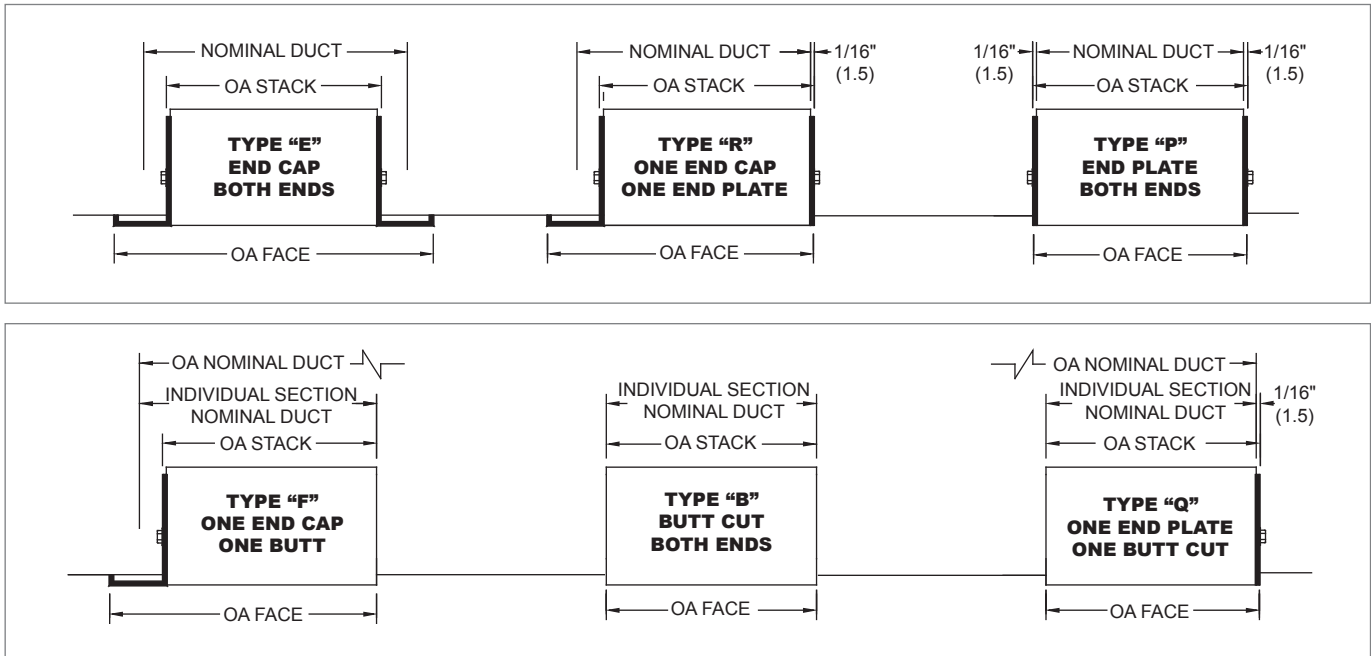
Dimensions in parentheses are mm. 'OA' is overall length.

\* Frame Style N - No Inlet Collar (Rectangular Shape)

\*\* Frame Style S - No Inlet Collar (Rectangular Shape)

**1900 End Border & Length Detail**

**1900, END BORDER CONFIGURATIONS**



**1900, LENGTH CHARTS**

Frame Style	End Type "E"		End Type "R"		End Type "P"	
	OA Stack	OA Face	OA Stack	OA Face	OA Stack	OA Face
A	G/P - 1 5/8" (41)	G/P - 1/4" (6)	G/P - 15/16" (24)	G/P - 5/16" (8)	G/P - 3/8" (10)	G/P - 1/4" (6)
B	D - 1 3/8" (35)	D + 3/4" (19)	D - 5/8" (16)	D + 7/16" (11)	D + 1/8" (3)	D + 1/8" (3)
C						
D						
E						
F						
I	D - 11/16" (17)	DUCT	D - 1/4" (6)	D + 1/16" (1.5)		
J	D - 1 3/8" (35)	D + 3/4" (19)	D - 5/8" (16)	D + 7/16" (11)		
K	D - 17/16" (27)	D - 1/4" (6)	N/A			
L	D - 1 3/8" (35)	D + 3/4" (19)	N/A			
N	N/A		N/A		D - 3/4" (19)	D - 5/8" (16)
S	D - 1 1/2" (38)	D - 3/16" (5)	N/A		N/A	

Frame Style	End Type "F"		End Type "B"		End Type "Q"	
	OA Stack	OA Face	OA Stack	OA Face	OA Stack	OA Face
A	G/P - 15/16" (24)	G/P - 1/4" (6)	G/P - 1/4" (6)	G/P - 1/4" (6)	G/P - 3/8" (10)	G/P - 5/16" (8)
B	D - 11/16" (17)	D + 3/8" (10)	DUCT	DUCT	D + 1/16" (1.5)	D + 1/16" (1.5)
C						
D						
E						
F						
I	D - 5/16" (8)	DUCT				
J	D - 11/16" (17)	D + 3/8" (10)				
K		D - 1/8" (3)			N/A	
L		D + 3/8" (10)			N/A	

NOTES: Dimensions in parentheses are mm. 'D' is nominal duct length. 'OA' is overall length. 'G/P' is grid/panel size.

LINEAR SLOT DIFFUSERS

1900

© KRUEGER 2013