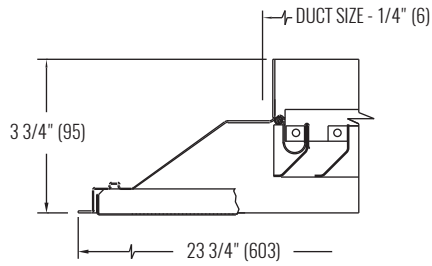


# 1240P, 51240P, 1240PE SERIES

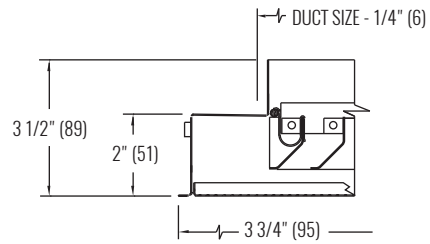
Diffuser | Modular Core, Perforated



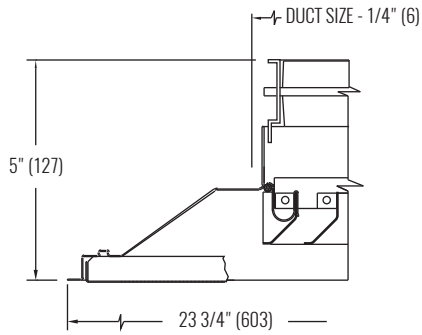
## DIMENSIONAL DATA | 1240PE



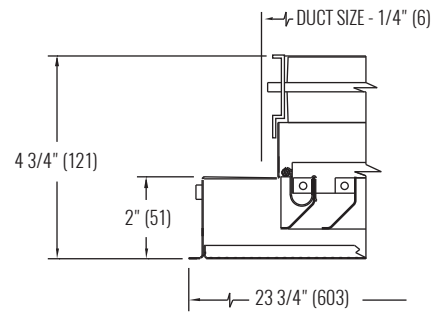
**F23**  
LAY-IN T-BAR  
6"X6" - 14"X14" NECK



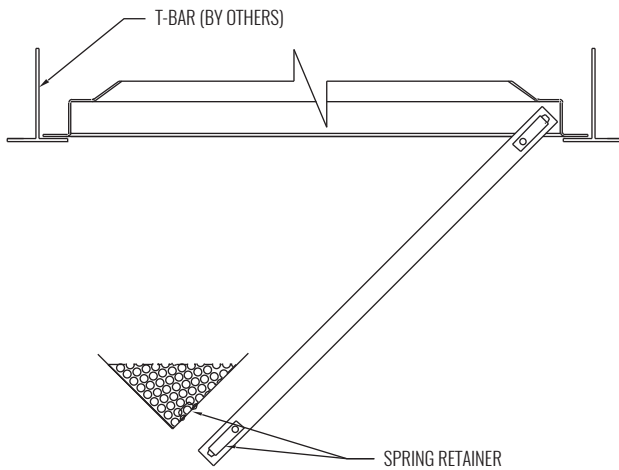
**F23**  
LAY-IN T-BAR  
16"X16" - 18"X18" NECK



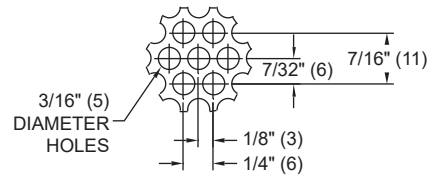
**F23**  
LAY-IN T-BAR  
6"X6" - 14"X14" NECK - WITH OBD



**F23**  
LAY-IN T-BAR  
16"X16" - 18"X18" NECK - WITH OBD



**HINGE DETAIL**



**PERFORATION DETAIL**

AVAILABLE NECK SIZES	
NECK SIZE	FRAME STYLES
	24" x 24" LAY-IN PANEL
	F23
6" x 6" (152 x 152)	•
8" x 8" (203 x 203)	•
10" x 10" (254 x 254)	•
12" x 12" (305 x 305)	•
14" x 14" (356 x 356)	•
16" x 16" (406 x 406)	•
18" x 18" (457 x 457)	•

NOTES: Dimensions in parentheses are mm. Dot indicates available neck sizes.