

Introduction: 1100, 1190 Series

The 1100/51100 series architectural, perforated diffusers use curved blade-type pattern deflectors mounted in the neck and are available in preselected 1, 2, 3, or 4-way discharge air patterns. Individually adjustable curved blades allow field adjustment of the air pattern in each direction, which may be field set to any position between a vertical throw and a tight ceiling, long horizontal throw pattern. The pattern deflectors in the neck create aspiration of secondary air through the perforated face where it is mixed with primary air then discharged through the perforated face. This aspiration and mixing effect reduces the discharge air temperature to avoid cold air drafts. Additionally, it removes smudging material from the secondary air by impingement on the perforated face. Ceiling smudging of adjacent, hard to clean ceiling surfaces is greatly reduced. The 1100/51100 series diffusers exhibit typical isothermal throws of 10' to 18' for 4-way air distribution and 21' to 35' for 1-way air distribution making this diffuser an excellent choice for irregular room shapes. Matching returns are the 1190 and 51190 series.

MODELS

- 1100 - Steel Backpan with Aluminum Frame, Steel Perforated Face with Aluminum Frame Supply Diffuser
- 1190 - Steel Backpan with Aluminum Frame, Steel Perforated Face with Aluminum Frame Return
- 51100 - Aluminum Backpan with Aluminum Frame, Aluminum Perforated Face with Aluminum Frame Supply Diffuser
- 51190 - Aluminum Backpan with Aluminum Frame, Aluminum Perforated Face with Aluminum Frame Return

PANEL SIZES

- 12"x12" • 12"x24"
- 24"x24" • 24"x48"



1100 (Supply)

1190 (Return)

FEATURES

- Square or rectangular necks.
- Architectural extruded aluminum borders.
- Individually adjustable blade pattern deflectors for horizontal to vertical throw.
- Variety of discharge air patterns available.
- Removable perforated face and core for ease of cleaning.

ACCESSORIES

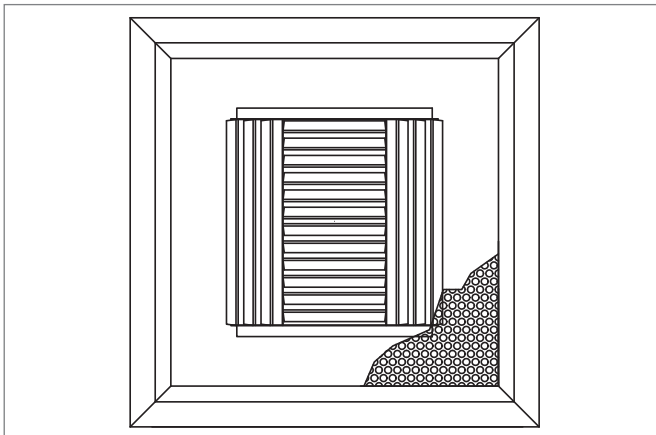
- Optional Opposed Blade Damper (Model OBD)
- Optional Straightening Grid

FINISHES

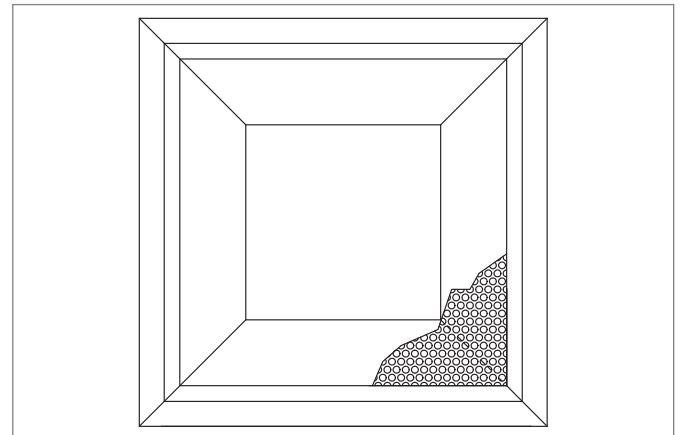
- Standard finish is #44 British White.
- Optional finishes available.

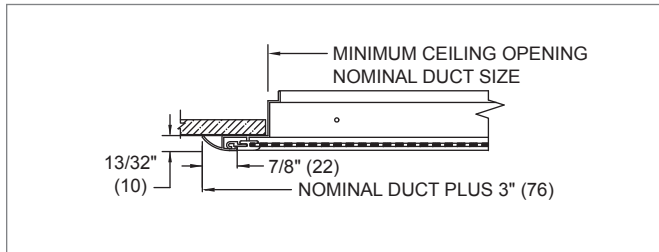
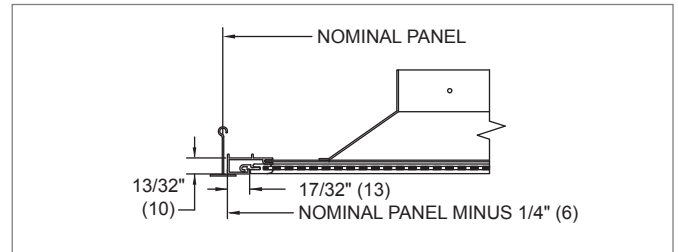
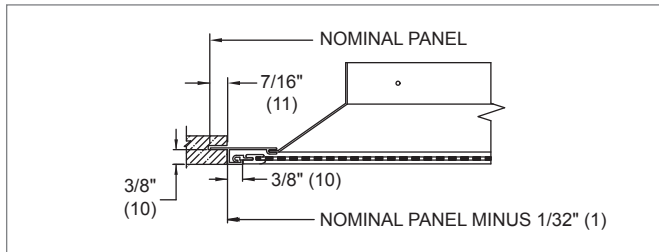
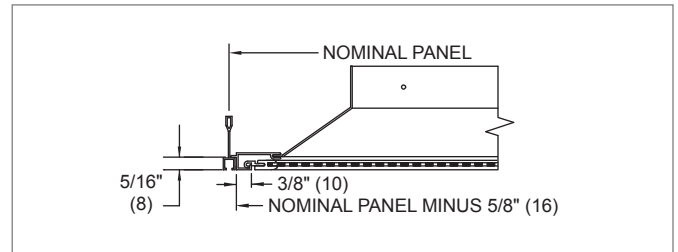
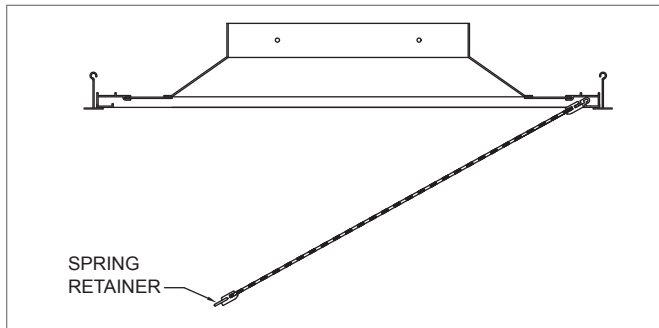
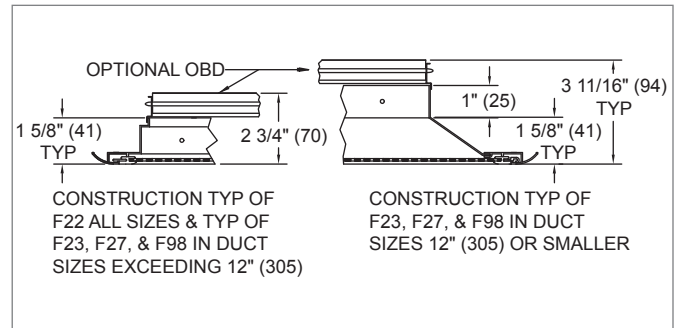
1100, 51100, 1190, 51190 (Supply/Return) Face Views

1100, 51100, SUPPLY FACE VIEW



1190, 51190, RETURN FACE VIEW



1190, 51190 (Return) Dimensional Information & Frame Styles
1190, 51190, FRAME 22, SURFACE MOUNT (CURVED)

1190, 51190, FRAME 23, LAY-IN T-BAR

1190, 51190, FRAME 27, SPLINE

1190, 51190, FRAME 98, NARROW-T

1190, 51190, HINGE DETAIL

1190, 51190, CROSS SECTION

1190, 51190, AVAILABLE SIZES

Frame Style	Surface Mount	Standard T-Bar				Spline, Narrow-T			
Frame Code	F22	Frame 23				Frame 27 & 98			
Neck Size		12"x12" (305x305)	12"x24" (305x610)	24"x24" (610x610)	24"x48" (610x1219)	12"x12" (305x305)	12"x24" (305x610)	24"x24" (610x610)	24"x48" (610x1219)
6" x 6" (152 x 152)
8" x 8" (203 x 203)
10" x 10" (254 x 254)
12" x 12" (305 x 305)
14" x 14" (356 x 356)
16" x 16" (406 x 406)
18" x 18" (457 x 457)
20" x 20" (508 x 508)
10" x 22" (254 x 559)
22" x 22" (559 x 559)
12" x 24" (305 x 610)
24" x 24" (610 x 610)
22" x 46" (559 x 1168)

NOTES: Dimensions in parentheses are mm. Dot indicates available neck size.

PERFORATED FACE DIFFUSERS

 1
1
9
0
-
5
1
1
9
0