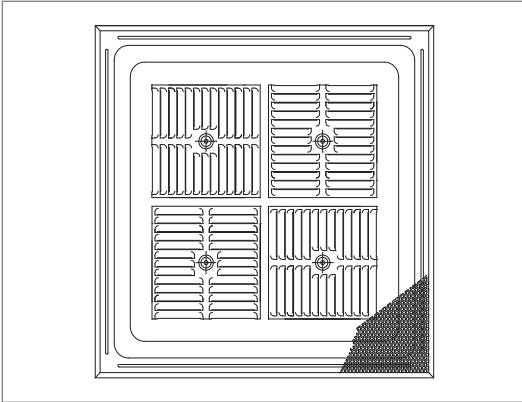
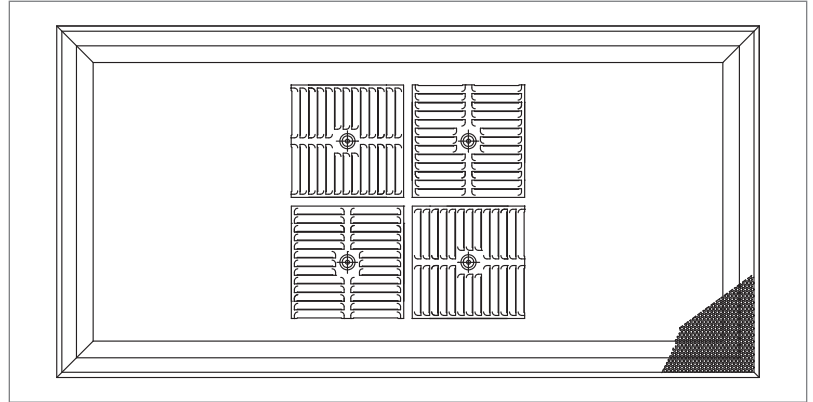
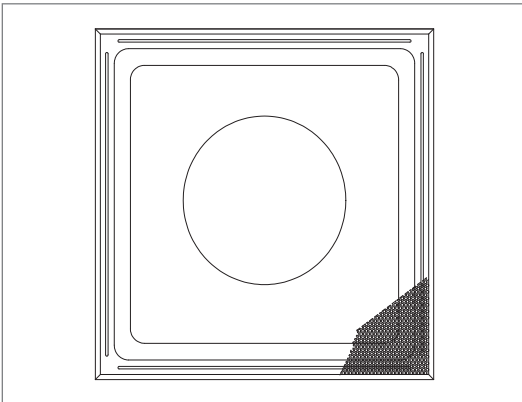
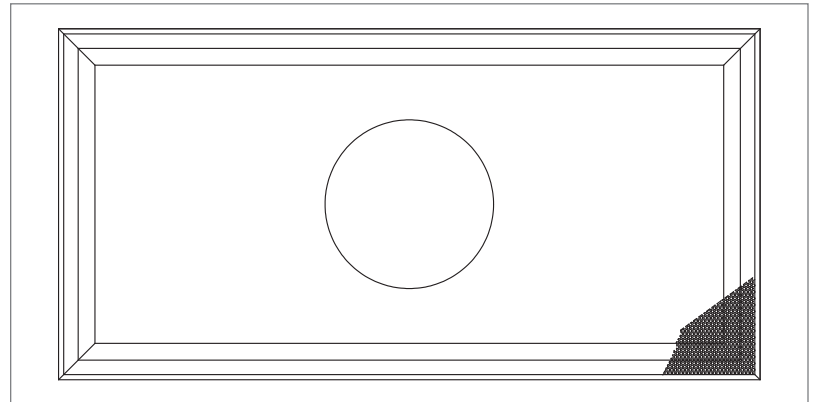


6600, 56600, 6690, 56690 (Supply/Return) Dimensional Information
**6600, 56600, FACE VIEW
(12"x12" & 24"x24" PANEL)**

**6600, 56600, FACE VIEW
(ALL OTHER PANELS)**

**6690, 56690, FACE VIEW
(12"x12" & 24"x24" PANEL)**

**6690, 56690, FACE VIEW
(ALL OTHER PANELS)**

6600, 56600, 6690, 56690, AVAILABLE SIZES

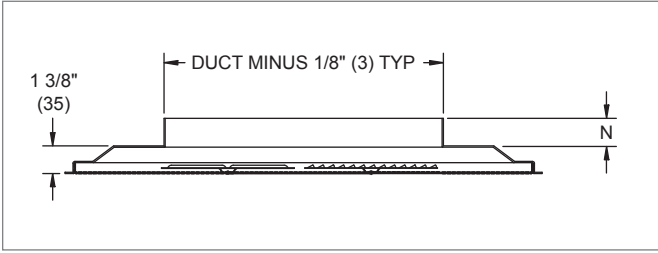
Neck Size	Panel Size											
	12" x 12" (305 x 305)		16" x 16" (406 x 406)		20" x 20" (508 x 508)		24" x 24" (610 x 610)		12" x 24" (305 x 610)		24" x 48" (610 x 1219)	
	Steel	Alum.	Steel	Alum.	Steel	Alum.	Steel	Alum.	Steel	Alum.	Steel	Alum.
6" (152)	S/R	S/R	S/R	-	S/R	-	S/R	S/R	S/R	S/R	S/R	S/R
8" (203)	-	-	S/R	-	S/R	-	S/R	S/R	-	-	S/R	S/R
10" (254)	-	-	S/R	-	S/R	-	S/R	S/R	-	-	S/R	S/R
12" (305)	-	-	-	-	S/R	-	S/R	S/R	-	-	S/R	S/R
14" (356)	-	-	-	-	S/R	-	S/R	S/R	-	-	S/R	S/R
16" (406)	-	-	-	-	-	-	S/R	S/R	-	-	S/R	S/R

NOTES: Dimensions in parentheses are mm. "S" = Supply and "R" = Return. Dash in space indicates not applicable.

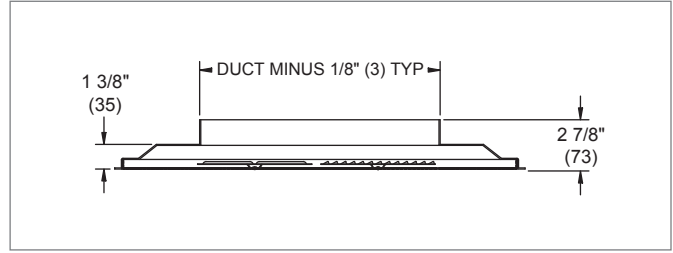
* 56600 and 56690 not available in 16"x16" and 20"x20" panels.

6600, 56600, 6690, 56690 (Supply/Return) Dimensional Information

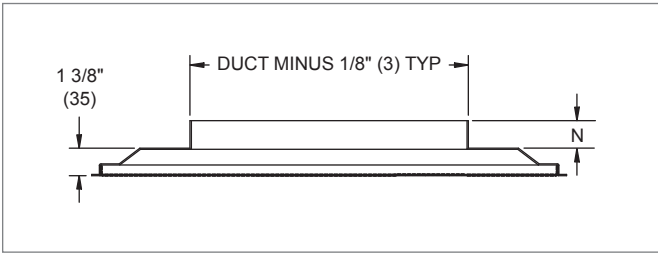
**6600, 56600, CROSS SECTION
(12"x12" & 24"x24" PANEL)**



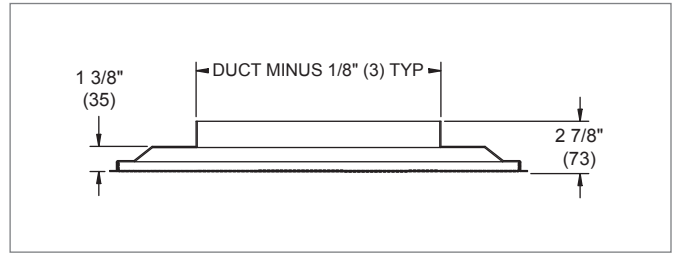
**6600, 56600*, CROSS SECTION
(ALL OTHER PANELS)**



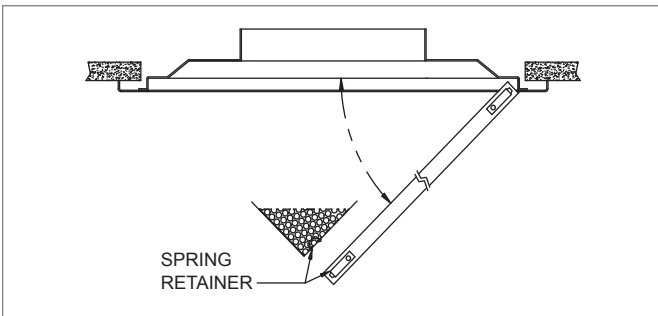
**6690, 56690, CROSS SECTION
(12"x12" & 24"x24" PANEL)**



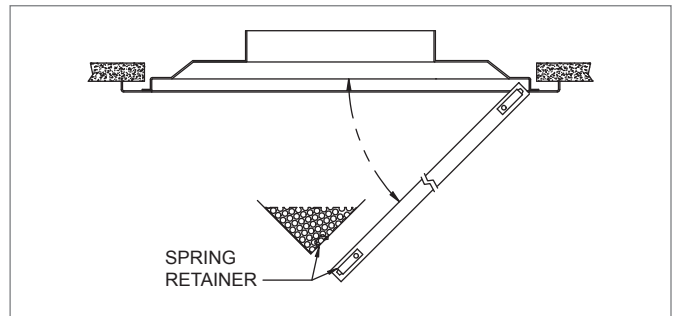
**6690, 56690*, CROSS SECTION
(ALL OTHER PANELS)**



**6600, 56600, 6690, 56690, HINGE DETAIL
(12"x12" & 24"x24" PANEL)**

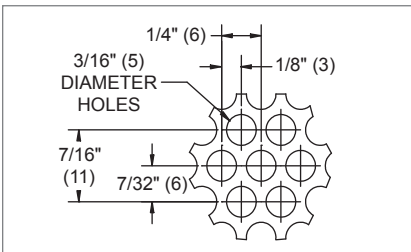


**6600, 6690, 56600*, 56690*, HINGE DETAIL
(ALL OTHER PANELS)**

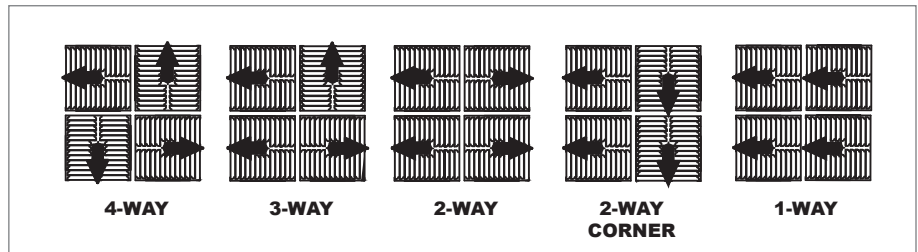


* 56600 and 56690 not available in 16"x16" and 20"x20" panels.

**6600, 56600, 6690, 56690,
PERFORATION DETAIL**



**6600, 56600,
DISCHARGE AIR PATTERNS**



**6600, 56600, INLET DETAIL
(24"x24" & 12"x12" PANELS)**

Inlet Size	N
6" & 8"	1 1/4" (32)
10", 12", 14", & 16"	1 1/2" (38)

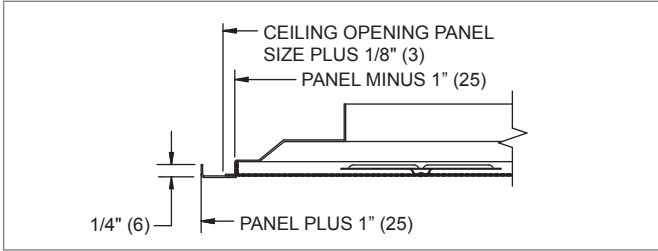
NOTE: Dimensions in parentheses are mm.

PERFORATED FACE DIFFUSERS

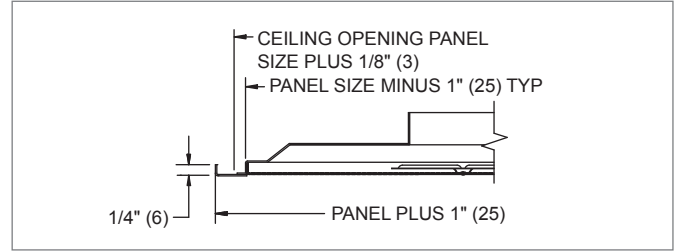
66000-16690

6600, 56600 (Supply) Frame Styles

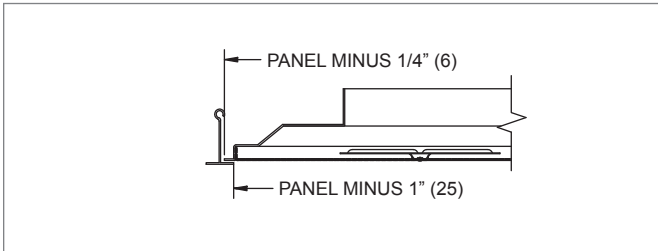
**6600, 56600, FRAME 20, SURFACE MOUNT
(12"x12" & 24"x24" PANEL)**



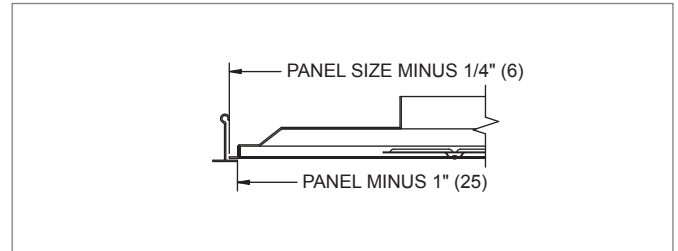
**6600, 56600*, FRAME 20, SURFACE MOUNT
(ALL OTHER PANELS)**



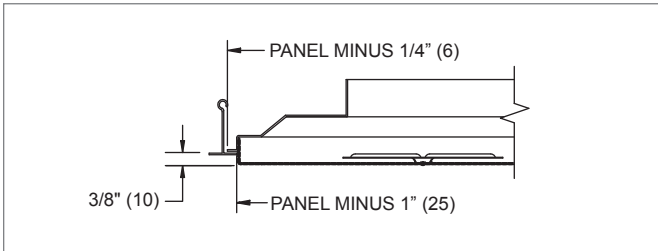
**6600, 56600, FRAME 23, LAY-IN T-BAR
(12"x12" & 24"x24" PANEL)**



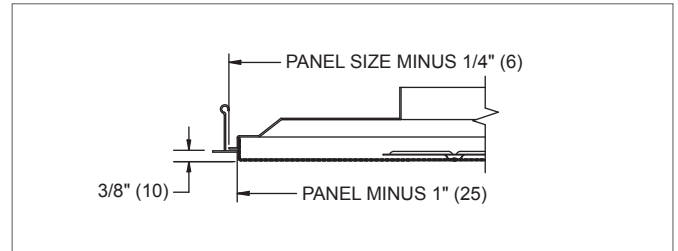
**6600, 56600*, FRAME 23, LAY-IN T-BAR
(ALL OTHER PANELS)**



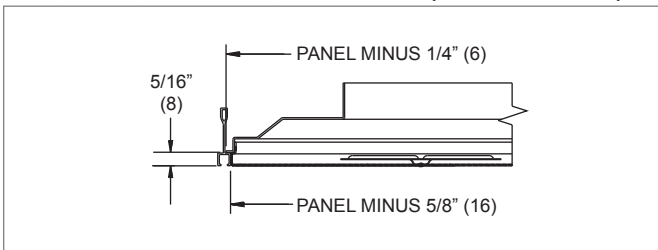
**6600, 56600, FRAME 30, DROP FACE
(12"x12" & 24"x24" PANEL)**



**6600, 56600*, FRAME 30, DROP FACE
(ALL OTHER PANELS)**



6600, 56600, FRAME 98, NARROW-T (24"x24" PANEL)



* 56600 not available in 16"x16" and 20"x20" panels.

NOTE: Dimensions in parentheses are mm.

PERFORATED FACE DIFFUSERS

6
6
0
0
-
5
6
6
0
0