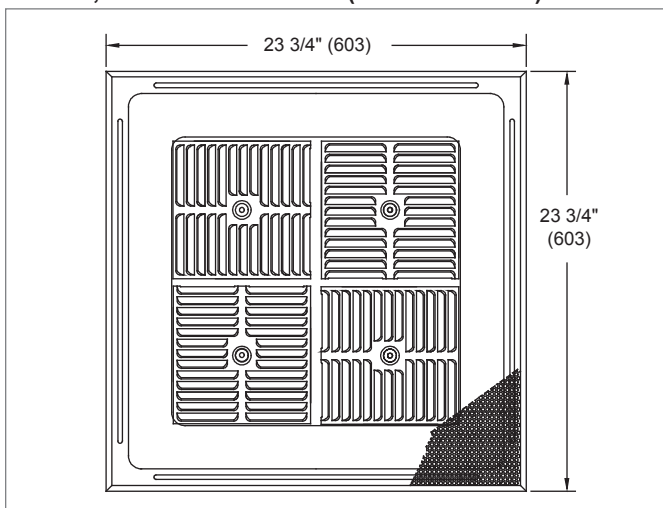
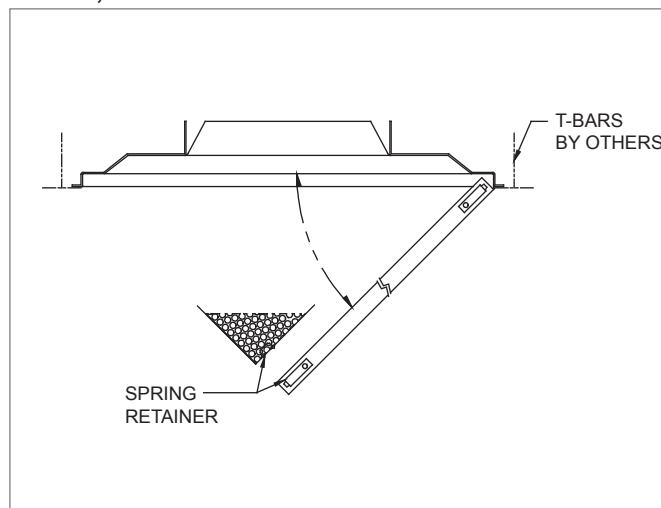
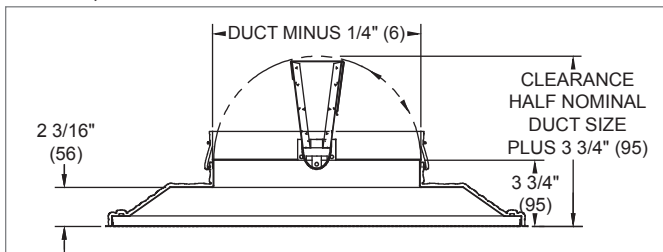
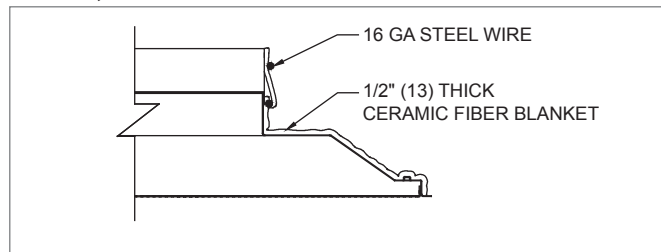
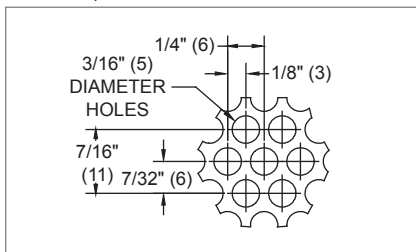
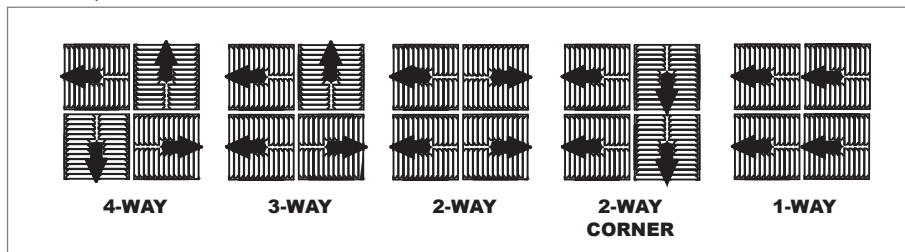


6400FR (Fire Rated Supply) Dimensional Information

The 6400FR offers the safety of fire rated performance with the proven 6400 series diffuser. It is intended for use with Lay-in T-Bar application involving fire rated ceiling designs. It combines this flexibility with all of the features of the standard 6400 and is available exclusively in steel.

6400FR comes standard as a UL 263 classified assembly which incorporates a 3-hour rated fire damper and a 1/2" thick ceramic fiber blanket.


6400FR, SUPPLY FACE VIEW (24"x24" PANEL)

6400FR, HINGE DETAIL

6400FR, CROSS SECTION

6400FR, FIRE BLANKET DETAIL

6400FR, PERFORATION DETAIL

6400FR, DISCHARGE AIR PATTERNS

6400FR, AVAILABLE INLET SIZES

NOMINAL PANEL 24" x 24" (610 x 610)	INLET SIZES
	6" x 6" (152 x 152)
8" x 8" (203 x 203)	
10" x 10" (254 x 254)	
12" x 12" (305 x 305)	
14" x 14" (356 x 356)	

NOTE: Dimensions in parentheses are mm.

PERFORATED FACE DIFFUSERS

6400FR