

6500FR, 6590FR | Curved Blade, Fire Rated

**6500FR, 6590FR (Fire Rated Supply/Return) Dimensional Information**

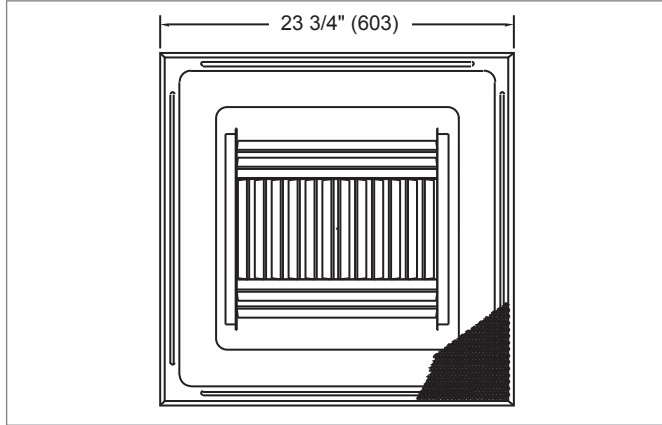
The 6500FR/6590FR offers the safety of fire rated performance with the proven 6500/6590 series diffuser. It is intended for use with Lay-in T-Bar application involving fire rated ceiling designs. It combines this flexibility with all of the features of the standard 6500/6590 and is available exclusively in steel.



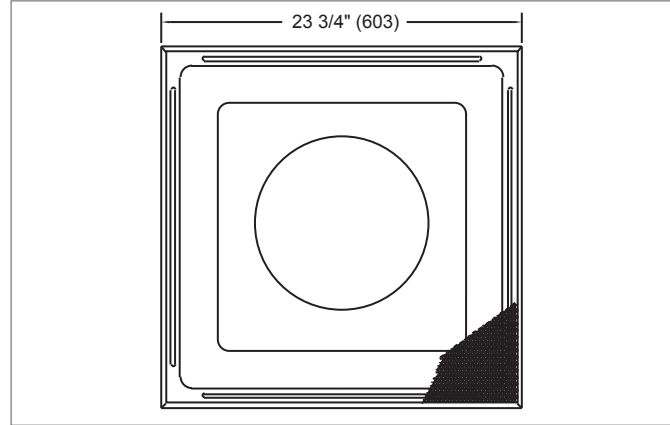
6500FR/6590FR comes standard as a UL 263 classified assembly which incorporates a 3-hour rated fire damper and a 1/2" thick ceramic fiber blanket.

PERFORATED FACE DIFFUSERS

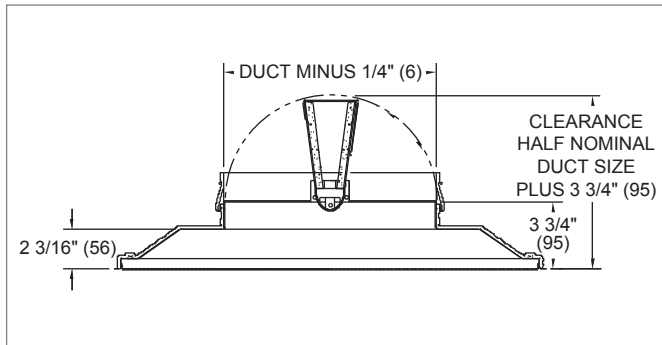
**6500FR, SUPPLY FACE VIEW (24"x24" PANEL)**



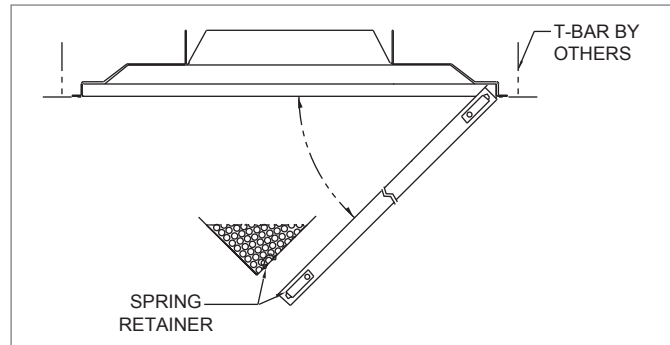
**6590FR, RETURN FACE VIEW (24"x24" PANEL)**



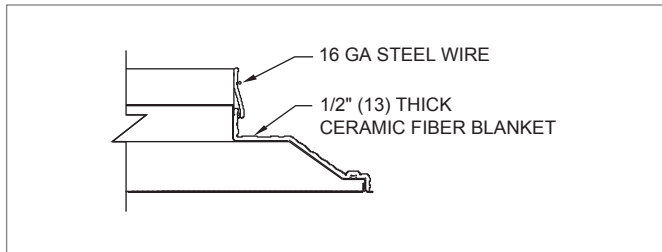
**6500FR, 6590FR, CROSS SECTION**



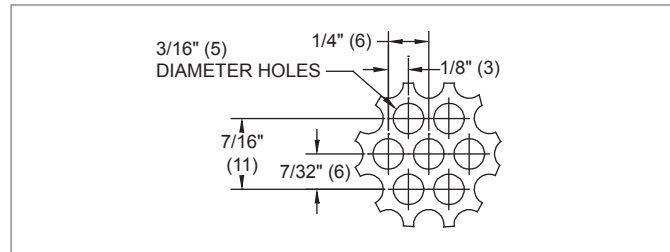
**6500FR, 6590FR, HINGE DETAIL**



**6500FR, 6590FR, FIRE BLANKET DETAIL**



**6500FR, 6590FR, PERFORATION DETAIL**

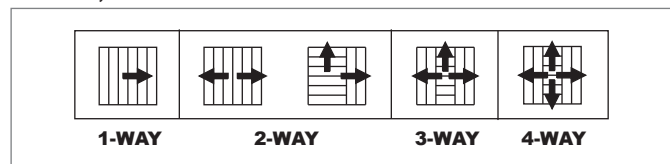


**6500FR, 6590FR, AVAILABLE INLET SIZES**

	INLET SIZES
<b>NOMINAL PANEL 24" x 24" (610 x 610)</b>	6" (152)
	8" (203)
	10" (254)
	12" (305)
	14" (356)

NOTE: Dimensions in parentheses are mm.

**6500FR, DISCHARGE AIR PATTERNS**



6500FR

© KRUEGER 2012