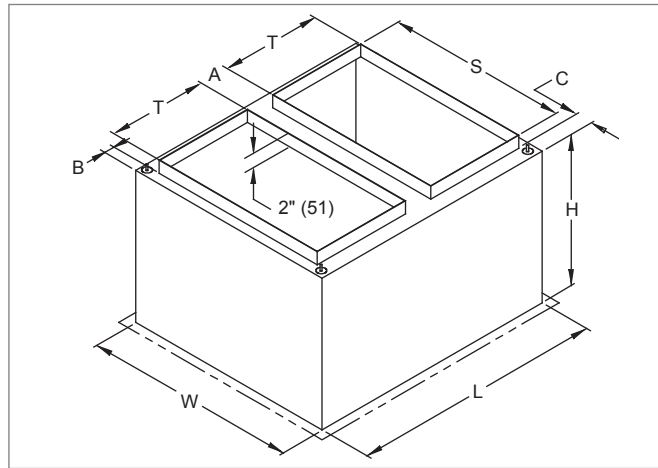


7000 Optional Plenum: Rectangular Duct Connections
OPTIONAL PLENUM, RECTANGULAR DUCT CONNECTIONS

7000, OPTIONAL PLENUM, RECTANGULAR DUCT CONNECTIONS, AVAILABLE SIZES

Size	Duct Size S x T	L	W	H	A	B	C	Nominal Capacity Tons [KW]
36"x48"	28"x18" (711x457)	45" (1143)	33" (838)	23 1/4" (591)	4 1/2" (114)	2 1/4" (57)	2 1/2" (64)	10 [35]
48"x48"	36"x18" (914x457)	45" (1143)	45" (1143)	29 1/4" (743)	4 1/2" (114)	2 1/4" (57)	4 1/2" (114)	15 [25.5]
60"x60"	48"x24" (1219x610)	57" (1448)	57" (1448)	35 1/4" (895)	4 1/2" (114)	2 1/4" (57)	4 1/2" (114)	20 [70]
60"x60"	54"x24" (1372x610)	57" (1448)	57" (1448)	35 1/4" (895)	4 1/2" (114)	2 1/4" (57)	4 1/2" (114)	20 [70]

NOTE: Dimensions in parentheses are mm.

7000 Reference Charts
AIRFLOW VS. NC LEVEL: 7000
