

Introduction: 7000

Krueger's 7000 series combination supply/return diffusers are designed to provide quick single point air distribution for rooftop air conditioning packages and are commonly used in department stores, strip malls, and restaurants. The 7000 series can be mounted in plaster or standard T-bar ceilings and feature an optional factory mounted supply plenum with mounting supports and turning vane, which further simplifies installation. Plenums serving 5 tons or less capacity packages are made of molded fiberglass and plenums for units serving 7.5 tons or less capacity packages are made of duct board fiberglass. Larger sizes are constructed of sheet metal. All optional plenums are insulated.

MODEL

7000 - Aluminum Combination Supply/Return Diffuser

FEATURES

- Egg-crate frame is removable for ease of cleaning.
- Anti-sweat gasket.
- Supply slots are constructed of aluminum extrusions with staked corner chevrons.
- Center return air section is 1/2" square aluminum egg-crate, clipped in place.

PANEL SIZES

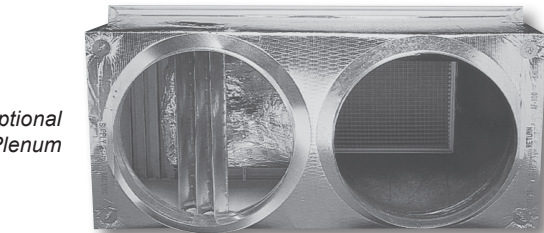
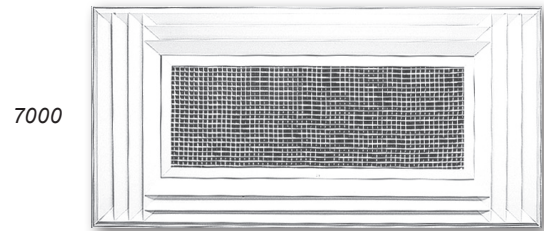
- 24"x48"
- 36"x48"
- 48"x48"
- 60"x60"

ACCESSORIES

- Optional Plenum

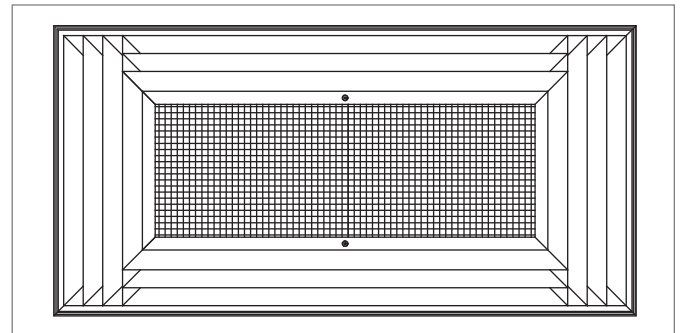
FINISHES

- Standard finish is Mill.
- Optional finish is #44 British White.

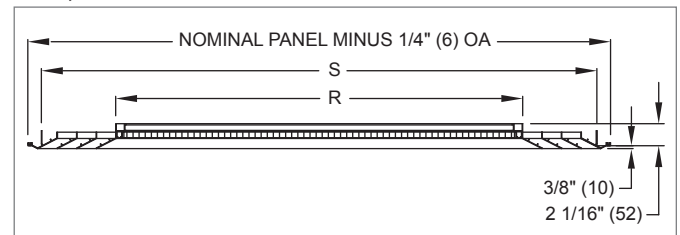


7000 Dimensional Information

7000, FACE VIEW



7000, CROSS SECTION



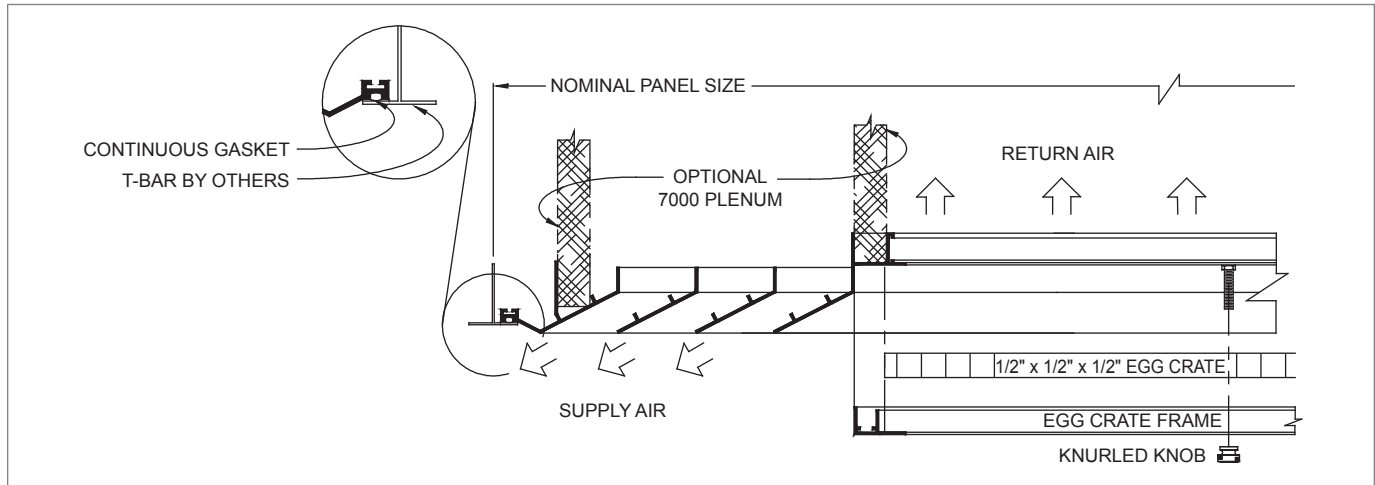
7000, AVAILABLE NECK SIZES

Size	Nominal Panel	S	R	Nominal Capacity Tons [KW]
24"x48"	24"x48" (610x1219)	21"x45" (533x1143)	11 5/8"x33" (295x838)	5 [17.5]
36"x48"	36"x48" (914x1219)	33"x45" (838x1143)	19"x33" (483x838)	10 [35]
48"x48"	48"x48" (1219x1219)	45"x45" (1143x1143)	33"x33" (838x838)	15 [52.5]
60"x60"	60"x60" (1524x1524)	57"x57" (1448x1448)	45"x45" (1143x1143)	20 [70]

NOTES: Dimensions in parentheses are mm. 'OA' is overall length.

7000 Frame Detail

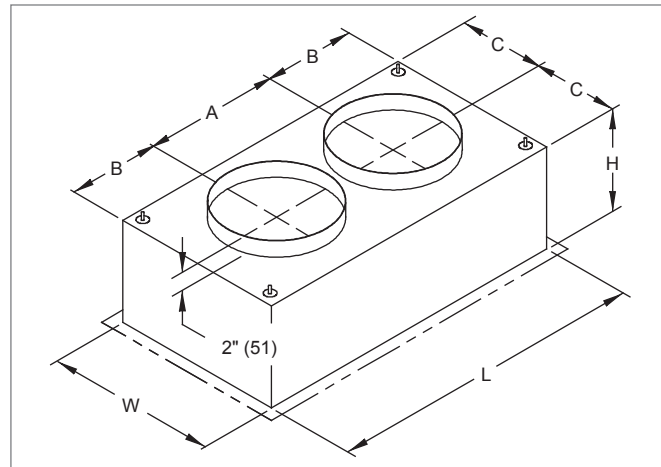
7000, FRAME CROSS SECTION



LOUVERED FACE DIFFUSERS

7000 Optional Plenum: Round Duct Connections

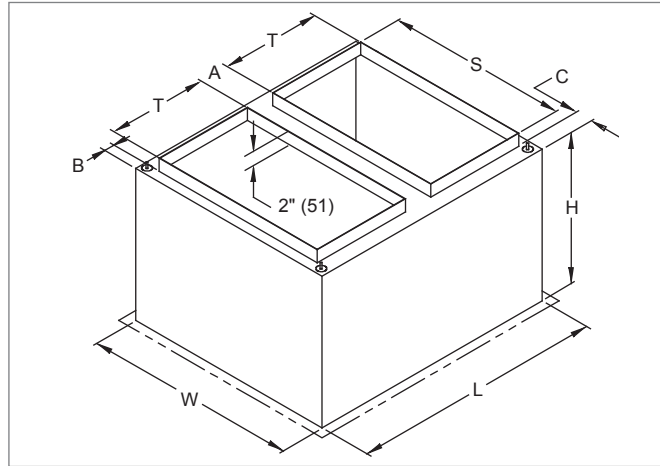
7000, OPTIONAL PLENUM ROUND DUCT CONNECTIONS



7000, OPTIONAL PLENUM, ROUND DUCT CONNECTIONS, AVAILABLE SIZES

Size	Duct Size Nominal Diameter	L	W	H	A	B	C	Nominal Capacity Tons [KW]
24"x48"	16" (406)	45" (1143)	21" (533)	13 1/2" (343)	22 1/2" (572)	11 1/4" (286)	10 1/2" (522)	1 - 5 [17.5]
24"x48"	18" (457)	45" (1143)	21" (533)	13 1/2" (343)	22 1/2" (572)	11 1/4" (286)	10 1/2" (522)	1 - 5 [17.5]

NOTE: Dimensions in parentheses are mm.

7000 Optional Plenum: Rectangular Duct Connections
OPTIONAL PLENUM, RECTANGULAR DUCT CONNECTIONS

7000, OPTIONAL PLENUM, RECTANGULAR DUCT CONNECTIONS, AVAILABLE SIZES

Size	Duct Size S x T	L	W	H	A	B	C	Nominal Capacity Tons [KW]
36"x48"	28"x18" (711x457)	45" (1143)	33" (838)	23 1/4" (591)	4 1/2" (114)	2 1/4" (57)	2 1/2" (64)	10 [35]
48"x48"	36"x18" (914x457)	45" (1143)	45" (1143)	29 1/4" (743)	4 1/2" (114)	2 1/4" (57)	4 1/2" (114)	15 [25.5]
60"x60"	48"x24" (1219x610)	57" (1448)	57" (1448)	35 1/4" (895)	4 1/2" (114)	2 1/4" (57)	4 1/2" (114)	20 [70]
60"x60"	54"x24" (1372x610)	57" (1448)	57" (1448)	35 1/4" (895)	4 1/2" (114)	2 1/4" (57)	4 1/2" (114)	20 [70]

NOTE: Dimensions in parentheses are mm.

7000 Reference Charts
AIRFLOW VS. NC LEVEL: 7000
