

Introduction: SHR V, 5SHRV

The SHR V/5SHRV series square diffusers with round necks are available in various sizes and discharge air patterns to meet engineering requirements for capacity and directional throw in addition to a variety of frame styles to meet architectural requirements of today's ceilings. They feature a 1/4" horizontal lip on all sides of the louvered core, resulting in a tight horizontal pattern at the ceiling and a higher discharge velocity at the face. This creates a high induction region just below the face of the diffuser. Each successive louver has vanes mounted in opposite directions behind the blade, which direct the air in opposite directions. This causes the discharged air to become turbulent in the horizontal plane, increasing the induction rate of room air and shortening throws. Because this series has higher discharge face velocities and turbulent horizontal jets, they are an excellent choice for variable air volume systems with above normal temperature differentials. At typical flow rates, isothermal throws of 15 - 25 feet make the SHR V/5SHRV series ideal for mounting centrally in many spaces with high load requirements while providing high mixing rates in the space.

MODELS

SHRV - Steel Louvered Diffuser

5SHRV - Aluminum Louvered Diffuser

FEATURES

- Core is removable from face of diffuser.
- Horizontal lip (1/4") on all sides of the louvered core to provide a horizontal discharge air pattern tight to the ceiling.
- Round duct connections.
- Various discharge air patterns available.
- Maintains horizontal discharge air pattern from maximum to minimum CFM.
- Excellent choice for VAV applications with high mixing rate requirements.
- Mixing vanes.

PANEL SIZES

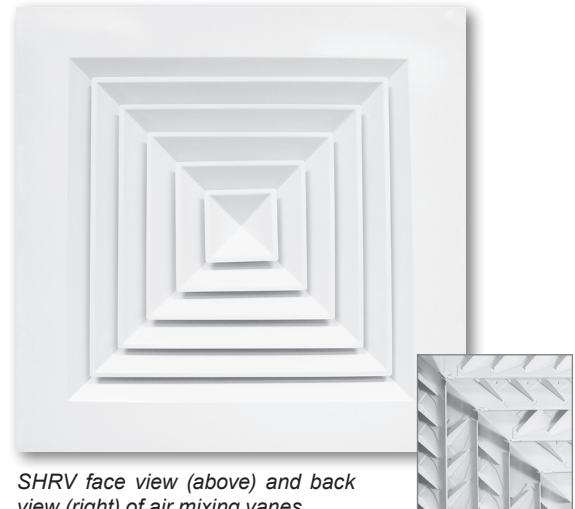
- 12"x12"
- 24"x24"

ACCESSORIES

- Optional R6 insulation.
- Optional straightening grids.
- Optional round damper.

FINISHES

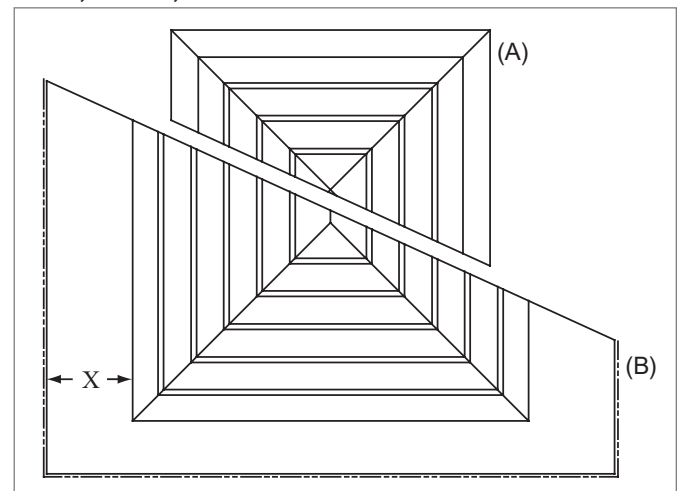
- Standard finish is #44 British White.
- Optional finishes available.



SHRV face view (above) and back view (right) of air mixing vanes.

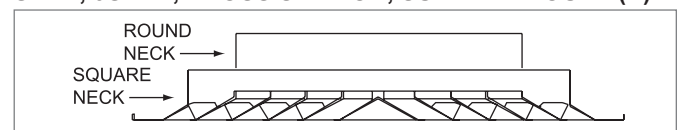
SHRV, 5SHRV Dimensional Information

SHRV, 5SHRV, FACE VIEW

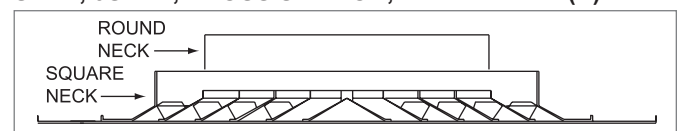


NOTE: Dimension 'X' will vary with neck sizes for Frames 23, 24, 27, and 98.

SHRV, 5SHRV, CROSS SECTION, SURFACE MOUNT (A)



SHRV, 5SHRV, CROSS SECTION, LAY-IN T-BAR (B)



SHRV, 5SHRV, ANGLED FACE VIEW

