

**1400FR (Fire Rated) Dimensional Information**

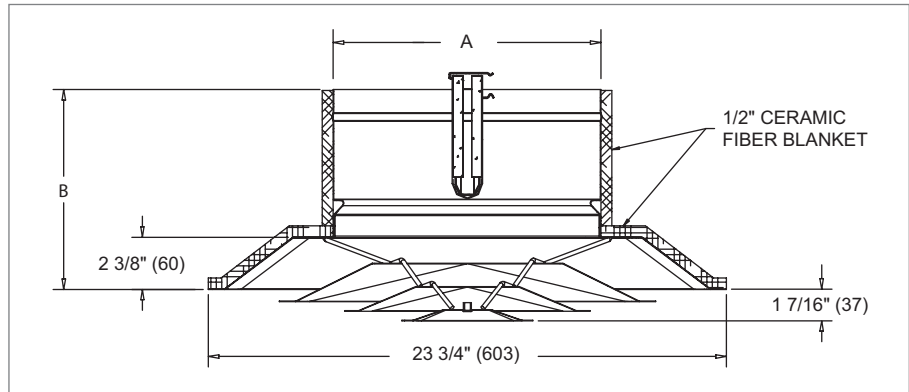
LOUVERED FACE DIFFUSERS

The 1400FR offers the safety of fire rated performance with the proven 1400 series diffuser. It is intended for use with Lay-in T-Bar application involving fire rated ceiling designs. It combines this flexibility with all of the features of the standard 1400 and is available exclusively in steel.

1400FR comes standard as a UL 263 classified assembly which incorporates a 3-hour rated fire damper and a 1/2" thick ceramic fiber blanket.



**1400FR, FRAME 23, LAY-IN T-BAR: 24"x24" PANEL**



**1400FR, FRAME 23, LAY-IN T-BAR: 24"x24" PANEL**

Nominal Neck Size	Actual Neck Size	Height Above Ceiling
	A	B
06	5 7/8" (149)	10 1/16" (256)
08	7 7/8" (200)	9 15/16" (252)
10	9 7/8" (251)	10 7/16" (256)
12	11 7/8" (302)	12 7/16" (316)
14	13 7/8" (352)	12 7/16" (316)
15	14 7/8" (378)	15 7/16" (392)

NOTES: Dimensions in parentheses are mm.  
1400FR is available with Frame 23, 24"x24" lay-in panel only.