

1400

FEATURES

- Four cones for optimum airflow control.
- Great choice for variable air volume spaces.
- Cones feature a one-piece stamped construction without mitered joints.
- Round neck for easy connection to round duct.
- Anti-smudge design prevents smeared ceilings.
- Two earthquake tabs are standard.

ACCESSORIES

- Optional round damper.
- Optional insulated backpan.

FINISHES

- Standard finish is #44 British White.
- Optional finishes available.

Introduction: 1400 Series

The 1400 series are square face, 4-cone, round neck ceiling diffusers and are available in a variety of frame styles to help meet the architectural requirements of today's ceilings. The spacing of the inner cones in relation to the backpan result in a design possessing anti-smudge characteristics, preventing the buildup of particles on the ceiling, which is achieved by minimizing the low pressure region inherent to most 4-way directional blow diffusers. Also known as concentric cone diffusers, 1400s are constructed of one-piece stamped cones, which provide a clean, smooth appearance without mitered corner joints. The 1400 series is an excellent variable air volume diffuser as represented in its throw characteristics at lower airflows; at typical flow rates, isothermal throws of 9-16 feet make this diffuser ideal for mounting centrally in many spaces while providing high mixing rates in the space.

MODELS

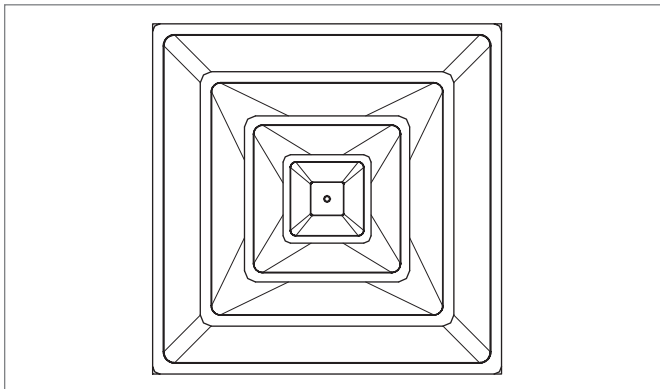
- 1400 - Steel Louvered Diffuser
- 51400 - Aluminum Louvered Diffuser (Safe for use in MRI rooms; F22 mounting hardware supplied by others.)
- 1400FR - Fire Rated, Steel Louvered Diffuser
- M1400 - Hard Metric Panel, Lay-in T-Bar, Steel Louvered Diffuser
- M51400 - Hard Metric Panel, Lay-in T-Bar, Aluminum Louvered Diffuser (Safe for use in MRI rooms; F22 mounting hardware supplied by others.)

PANEL SIZES

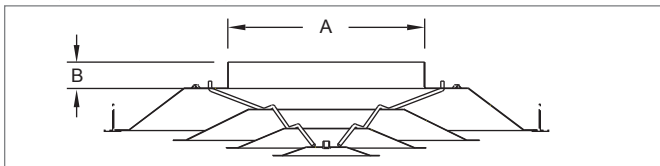
- 12"x12", 24"x24", and 24"x48"
- 300x300mm and 600x600mm

1400, 51400, M1400, M51400 Dimensional Information

1400, 51400, M1400, M51400, FACE VIEW



1400, 51400, M1400, M51400, CROSS SECTION



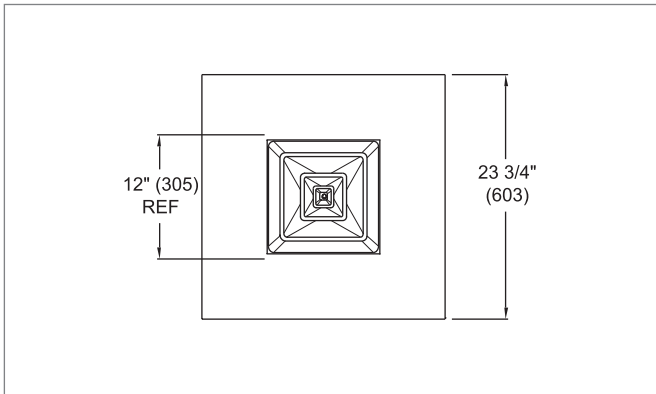
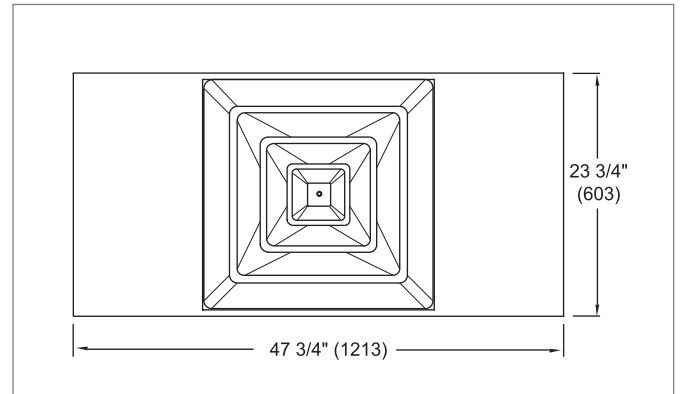
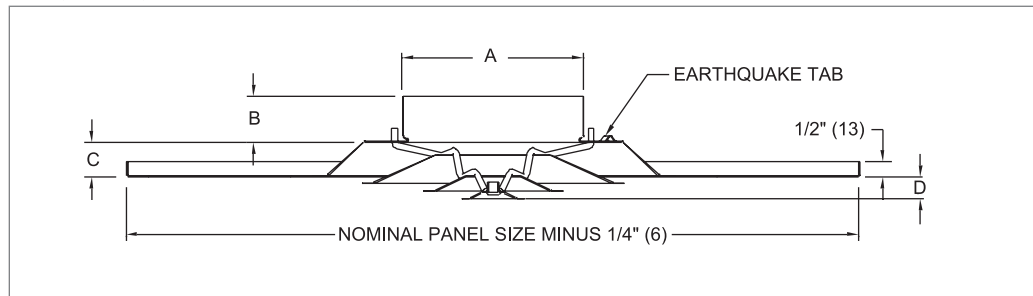
1400, 51400, M1400, M51400, 12"x12" & 300mm PANEL

Nominal Neck Size	Actual Neck Size	1400 & M1400	51400 & M51400
	A	B	B
06	5 7/8" (149)	1 1/4" (32)	1 1/2" (38)
08	7 7/8" (200)	1 1/4" (32)	1 1/2" (38)

1400, 51400, M1400, M51400, 24"x24" & 600mm PANEL

Nominal Neck Size	Actual Neck Size	1400 & M1400	51400 & M51400
	A	B	B
06	5 7/8" (149)	1 1/4" (32)	1 1/2" (38)
08	7 7/8" (200)	1 1/4" (32)	1 1/2" (38)
10	9 7/8" (251)	1 1/2" (38)	1 1/2" (38)
12	11 7/8" (302)	1 1/2" (38)	1 1/2" (38)
14	13 7/8" (352)	1 1/2" (38)	1 1/2" (38)
15	14 7/8" (378)	1 1/2" (38)	1 1/2" (38)

NOTE: Dimensions in parentheses are mm.

1400, 51400 Oversize Dimensional Information
1400, 51400, FRAME 12, LAY-IN T-BAR: 24"x24" PANEL

1400, 51400 FRAME 23, LAY-IN T-BAR: 24"x48" PANEL

1400, 51400, CROSS SECTION, LAY-IN T-BAR: 24"x24" & 24"x48" PANEL

1400, 51400, FRAME 12, LAY-IN T-BAR: 24"x24" PANEL, OVERSIZE

Nominal Neck Size	Actual Neck Size	1400 Frame 12				51400 Frame 12		
		A	B	C	D	B	C	D
06	5 7/8" (149)	1 1/4" (32)	1 1/8" (29)	11/16" (17)	1 1/2" (38)	1 1/8" (29)	11/16" (17)	
08	7 7/8" (200)	1 1/4" (32)	1 1/8" (29)	11/16" (17)	1 1/2" (38)	1 1/8" (29)	11/16" (17)	

1400, 51400, FRAME 23, LAY-IN T-BAR: 24"x48" PANEL, OVERSIZE

Nominal Neck Size	Actual Neck Size	1400 Frame 23				51400 Frame 23		
		A	B	C	D	B	C	D
06	5 7/8" (149)	1 1/4" (32)	2 3/8" (60)	1 3/8" (35)	1 1/2" (38)	2 3/8" (60)	1 3/8" (35)	
08	7 7/8" (200)	1 1/4" (32)	2 3/8" (60)	1 3/8" (35)	1 1/2" (38)	2 3/8" (60)	1 3/8" (35)	
10	9 7/8" (251)	1 1/2" (38)	2 3/8" (60)	1 3/8" (35)	1 1/2" (38)	2 3/8" (60)	1 3/8" (35)	
12	11 7/8" (302)	1 1/2" (38)	2 3/8" (60)	1 3/8" (35)	1 1/2" (38)	2 3/8" (60)	1 3/8" (35)	
14	13 7/8" (352)	1 1/2" (38)	2 3/8" (60)	1 3/8" (35)	1 1/2" (38)	2 3/8" (60)	1 3/8" (35)	
15	14 7/8" (378)	1 1/2" (38)	2 3/8" (60)	1 3/8" (35)	1 1/2" (38)	2 3/8" (60)	1 3/8" (35)	

NOTE: Dimensions in parentheses are mm.