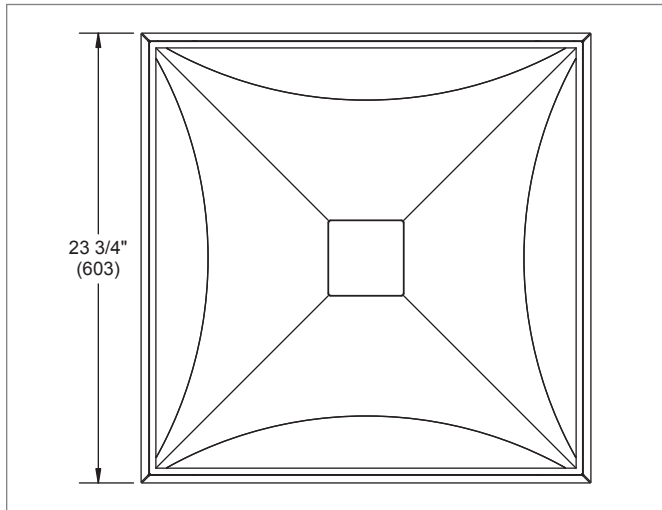
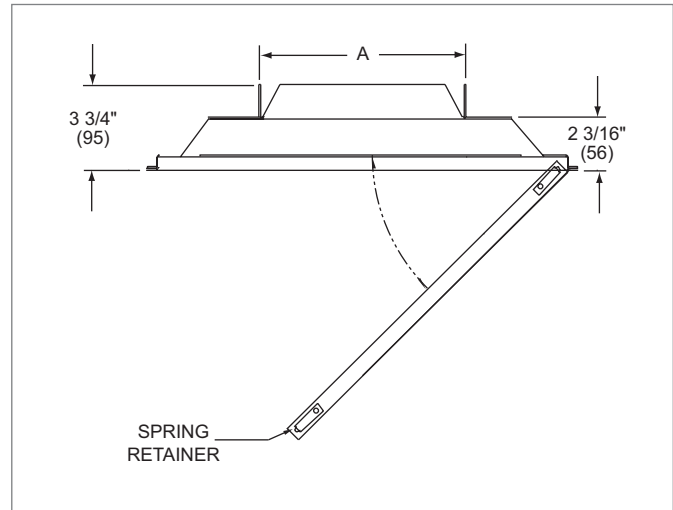


**Prism Dimensional Information**

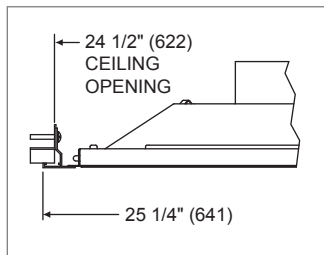
**PRISM, FACE VIEW**



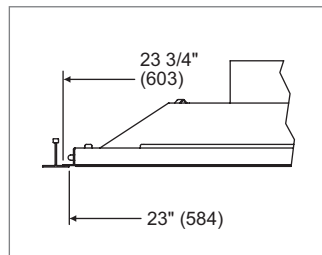
**PRISM, CROSS SECTION, SQUARE NECK**



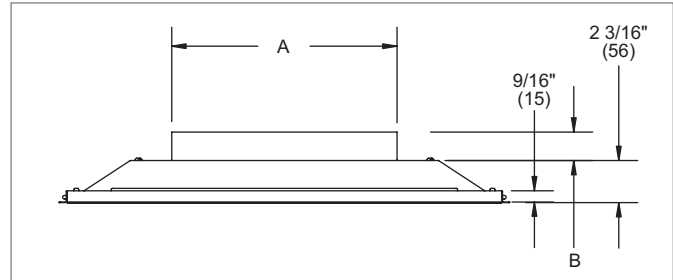
**PRISM, FRAME 22 SURFACE MOUNT**



**PRISM, FRAME 23 LAY-IN T-BAR**



**PRISM, CROSS SECTION, ROUND NECK**



**PRISM, AVAILABLE ROUND NECK SIZES**

Neck Size	A	B
6" (152)	5 7/8" (149)	1" (25)
8" (203)	7 7/8" (200)	1" (25)
10" (254)	9 7/8" (251)	1 1/2" (38)
12" (305)	11 7/8" (302)	1 1/2" (38)
14" (356)	13 7/8" (352)	1 1/2" (38)
16" (406)	15 7/8" (404)	1 1/2" (38)

**PRISM, AVAILABLE SQUARE NECK SIZES**

Neck Size	A
6" x 6" (152 x 152)	5 7/8" (149)
8" x 8" (203 x 203)	7 7/8" (200)
10" x 10" (254 x 254)	9 7/8" (251)
12" x 12" (305 x 305)	11 7/8" (302)
14" x 14" (356 x 356)	13 7/8" (352)

NOTE: Dimensions in parentheses are mm.

**Prism Appliqué Information**

The intended use for the appliqué is on the Krueger Prism ceiling diffuser. The appliqué consists of a matte substrate with an adhesive backing and are individually die cut for precision and consistency. It is fitted to a pre-formed square embossment in the center of the faceplate with the purpose of providing color and soft texture. The appliqué is applied after the diffuser is painted.

Krueger offers nine standard colors to choose from, or you can pick your own color from any major color guide. Also, you have the option of having your logo screened onto the appliqué for an even more professional effect.

Stand-alone replacement appliqué, standard or custom, are available separately to modify existing Prism applications, should the interior décor change.

**CUSTOM APPLIQUÉS**

- Custom color matching requires that two 2"x2" paint or color chip samples are supplied to Krueger.
- Custom logo screening requires that a high resolution, digital image is supplied to Krueger (3.96"x3.96" viewing size).

ARCHITECTURAL & PLAQUE DIFFUSERS

P  
R  
I  
S  
M

© KRUEGER 2012