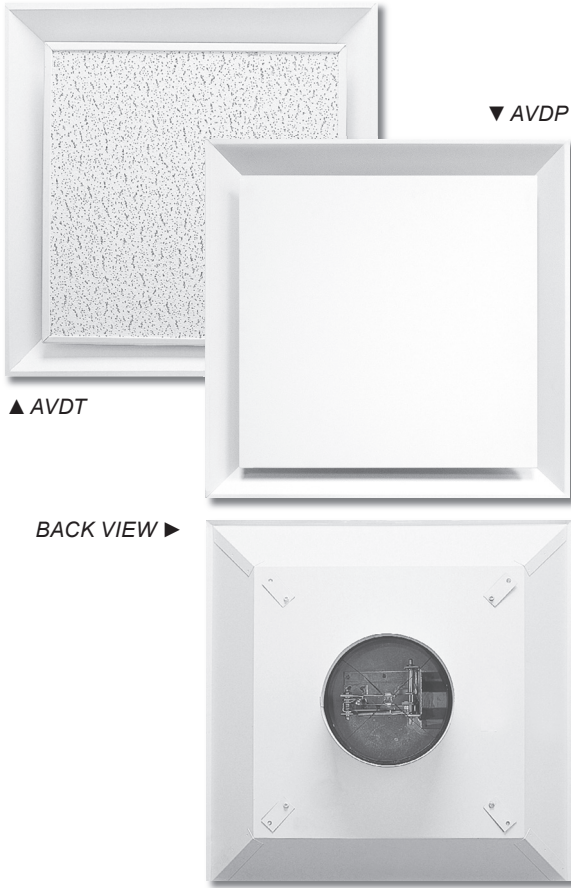




AVDP/AVDT | THERMALLY CONTROLLED VAV DIFFUSERS

ARCHITECTURAL & PLAQUE DIFFUSERS



**INTRODUCTION: AVDP/5AVDP/AVDT/5AVDT**

The AVDP/AVDT architectural VAV diffuser provides an aesthetically pleasing appearance with zone temperature control. The AVDP diffuser provides a metal plaque face while the AVDT provides a frame that accepts a ceiling tile (by others) to form the plaque face. The diffusers discharge air horizontal to the ceiling causing secondary air circulation and mixing. The AVDP/AVDT is a totally self-contained and self-powered VAV diffuser that require no electrical wiring. The matching non-VAV diffuser for the AVDP is the ASDP while the matching non-VAV diffuser for the AVDT is the ASDT.

**MODELS**

- MODEL AVDP** - Steel, Plaque VAV Supply Diffuser
  - MODEL 5AVDP** - Aluminum, Plaque VAV Supply Diffuser \*
  - MODEL AVDT** - Steel, Ceiling Tile VAV Supply Diffuser
  - MODEL 5AVDT** - Aluminum, Ceiling Tile VAV Supply Diffuser
- ▶ (\*) Product contains steel components.

**FEATURES**

- Optional Warm-up to Provide Constant Volume Heating with Automatic Changeover
- Variable Discharge Area
- All Controls Accessible from Face of Diffuser

**PANEL SIZE**

- 12"x12" (AVDP/5AVDP Only)
- 24"x24"

**FINISHES**

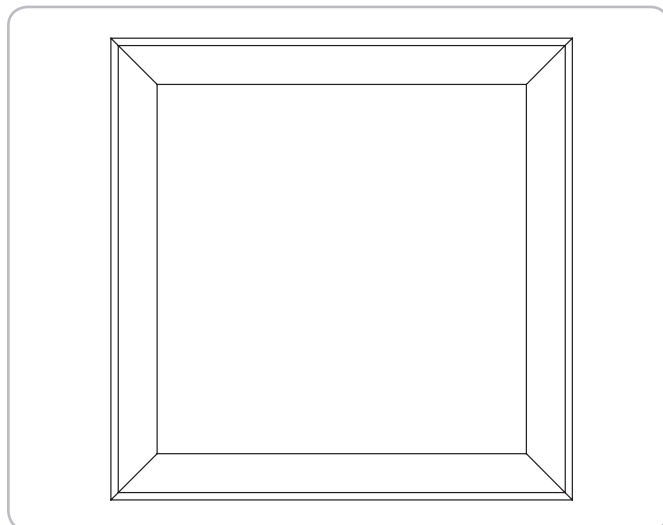
- Standard Finish is British White
- Optional Finishes Available

**OPTION**

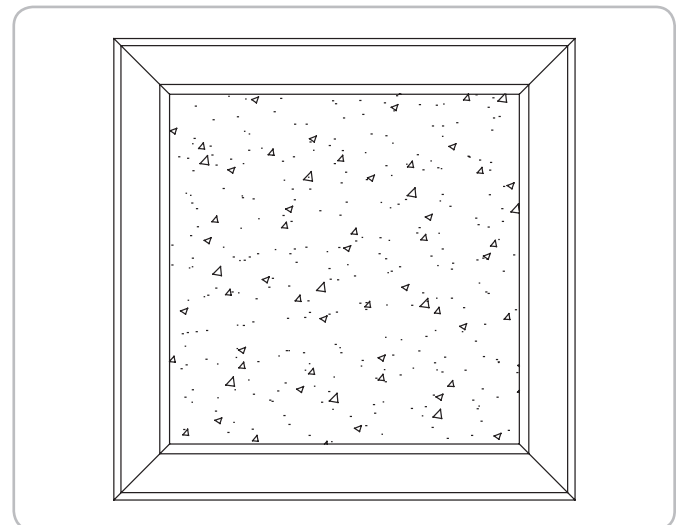
- Control for Constant Volume Heat

**AVDP/5AVDP/AVDT/5AVDT DIMENSIONAL INFORMATION**

▼ AVDP/5AVDP, FACE VIEW (PLAQUE STYLE)



▼ AVDT/5AVDT, FACE VIEW (CEILING TILE STYLE)



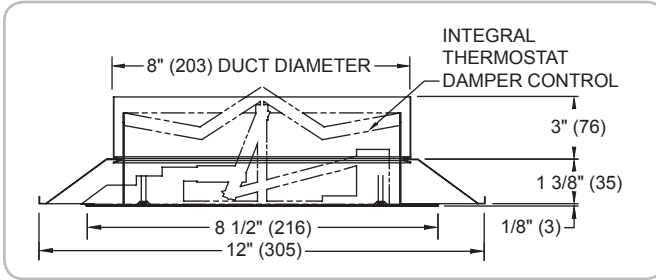
AVDP - AVDT

© KRUEGER 2006



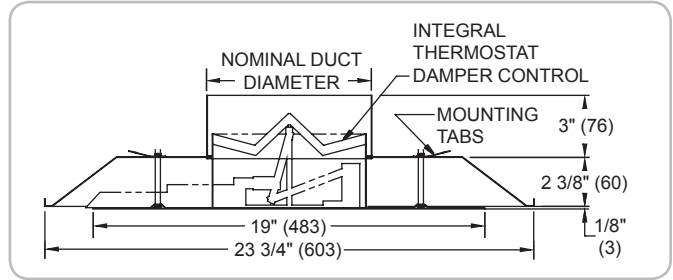
**AVDP/5AVDP/AVDT/5AVDT DIMENSIONAL INFORMATION**

▼ AVDP/5AVDP, CROSS SECTION 12"x12" PANEL

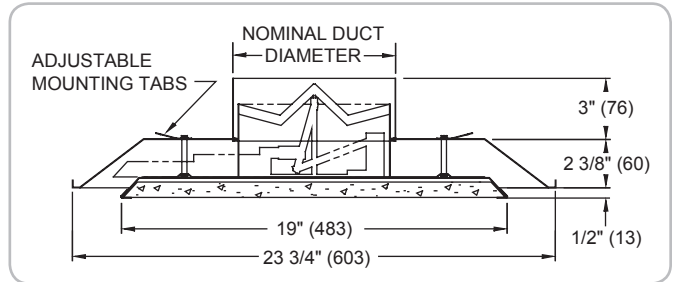


► Dimensions in ( ) are mm.

▼ AVDP/5AVDP, CROSS SECTION 24"x24" PANEL

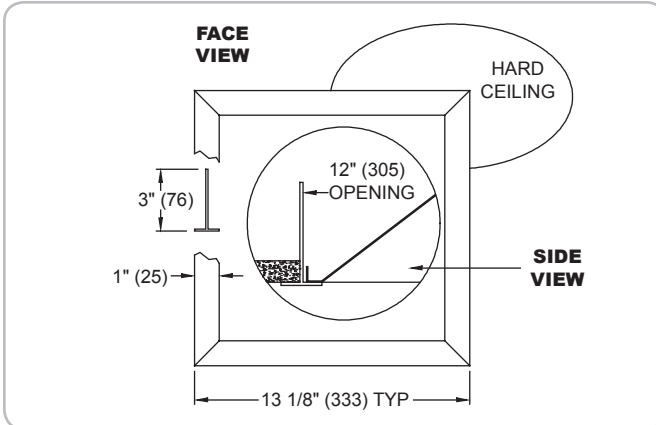


▼ AVDT/5AVDT, CROSS SECTION 24"x24" PANEL

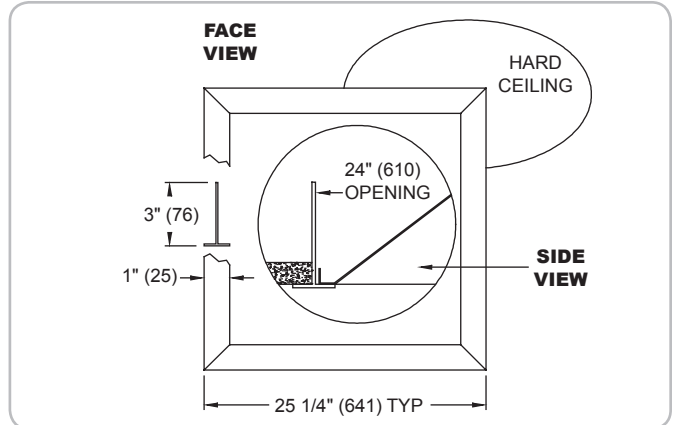


**AVDP/5AVDP/AVDT/5AVDT ADAPTER FRAMES**

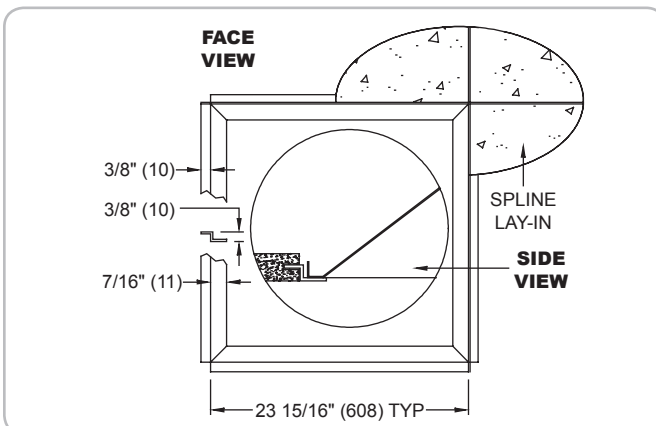
▼ AVDP/5AVDP, FRAME 20, SURFACE MOUNT, ADAPTER FRAME 12"x12" PANEL



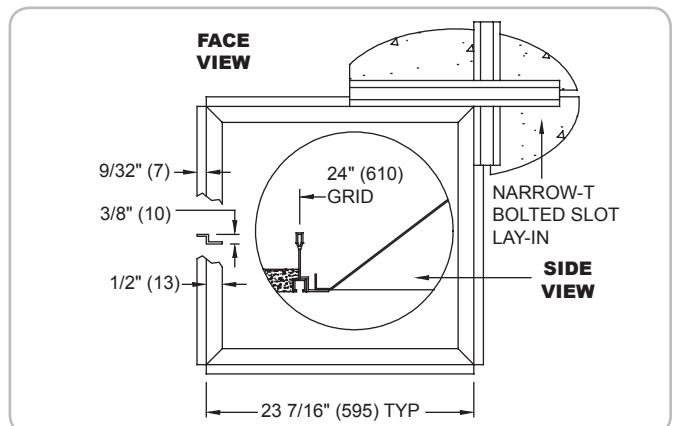
▼ AVDP/5AVDP/AVDT/5AVDT, FRAME 20, SURFACE MOUNT, ADAPTER FRAME 24"x24" PANEL



▼ AVDP/5AVDP/AVDT/5AVDT, FRAME 27, SPLINE, ADAPTER FRAME 24"x24" PANEL



▼ AVDP/5AVDP/AVDT/5AVDT, FRAME 98, NARROW-T, ADAPTER FRAME 24"x24" PANEL



© KRUEGER 2006