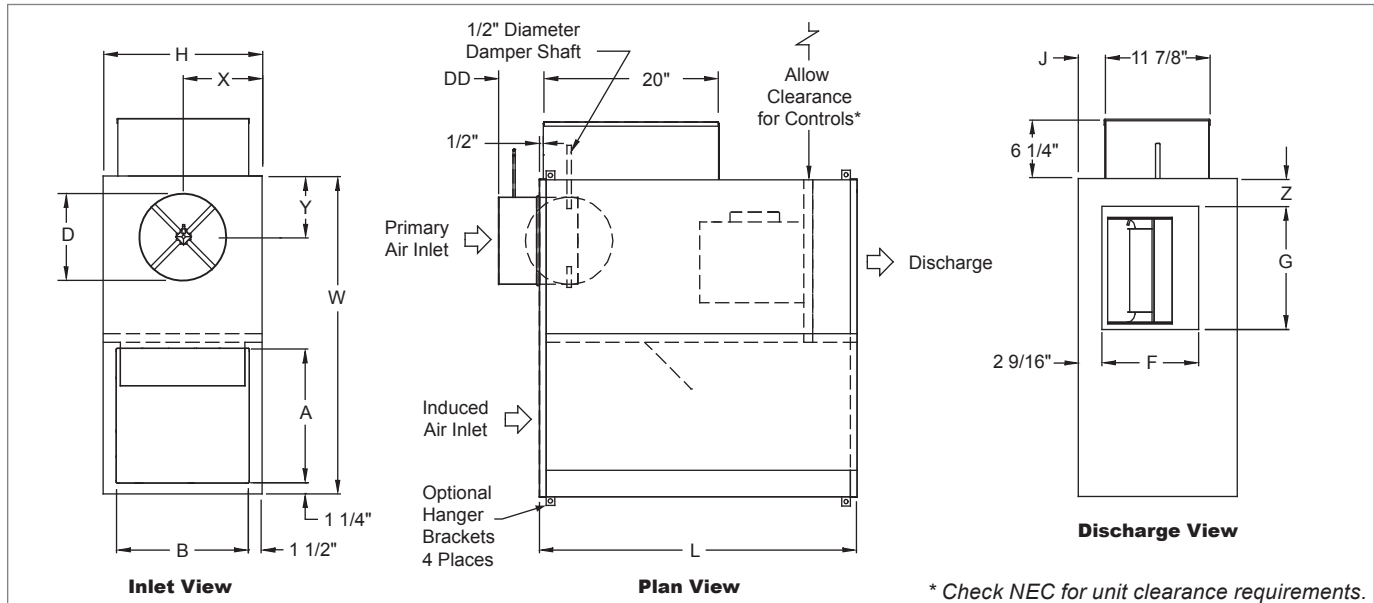


KQFS Base Unit Dimensional Information

KQFS BASE UNIT, INLET, PLAN, AND DISCHARGE VIEWS



* Check NEC for unit clearance requirements.

KQFS BASE UNIT, DIMENSIONAL DETAILS

Unit Size	Inlet Size	Max. Primary CFM	Max. Fan CFM	PSC HP	L	W	H	Induced Air		D	Discharge		J	X	Y	Z
								A	B		F	G				
2	06	515	530	1/10	39 1/2"	36 1/8"	18 1/16"	15 1/8"	15"	5 7/8"	11"	14"	3 1/8"	9"	6"	2 5/8"
2	08	530	530	1/10	39 1/2"	36 1/8"	18 1/16"	15 1/8"	15"	7 7/8"	11"	14"	3 1/8"	9"	6"	2 5/8"
3	08	920	1110	1/4	39 1/2"	36 1/8"	18 1/16"	15 1/8"	15"	7 7/8"	11"	14"	3 1/8"	9"	6"	2 5/8"
3	10	1100	1110	1/4	39 1/2"	36 1/8"	18 1/16"	15 1/8"	15"	9 7/8"	11"	14"	3 1/8"	9"	7"	2 5/8"
4	10	1300	1400	1/4	42 1/8"	46 1/8"	20 1/16"	20 1/8"	17"	9 7/8"	11"	14"	4 1/8"	10"	7"	5 5/8"
4	12	1300	1400	1/4	42 1/8"	46 1/8"	20 1/16"	20 1/8"	17"	11 7/8"	11"	14"	4 1/8"	10"	8"	5 5/8"
5	12	1900	1850	1/2	42 1/8"	46 1/8"	20 1/16"	20 1/8"	17"	11 7/8"	15"	17"	4 1/8"	10"	8"	4 7/8"
5	14	1900	1850	1/2	42 1/8"	46 1/8"	20 1/16"	20 1/8"	17"	13 7/8"	15"	17"	4 1/8"	10"	10"	4 7/8"
6	14	2600	2600	3/4	42 1/8"	46 1/8"	20 1/16"	20 1/8"	17"	13 7/8"	15"	17"	4 1/8"	10"	10"	4 7/8"
6	16	2600	2600	3/4	42 1/8"	46 1/8"	20 1/16"	20 1/8"	17"	15 7/8"	15"	17"	4 1/8"	10"	10 1/4"	4 7/8"
7	16	3000	3000	1	42 1/8"	46 1/8"	20 1/16"	20 1/8"	17"	15 7/8"	15"	17"	4 1/8"	10"	10 1/4"	4 7/8"

NOTES: Left-hand base unit with electronic control enclosure shown; right-hand is available. For a complete list of available inlet sizes, see page B2-7.

KQFS Base Unit Features & Options

STANDARD FEATURES

- 20 Gage galvanized steel casing construction.
- Control enclosure for electronic components.
- 1/2" Thick, Dual density fiberglass insulation that meets NFPA 90A and UL 181 safety requirements.
- Unit sizes 2 to 6 include [120, 208/240, or 277 volt, multi-voltage, single-phase, single-speed, permanently lubricated PSC motors; unit size 7 includes [208/240 or 277 volt, single-phase, single-speed] permanently lubricated PSC motors.
- Field adjustable fan speed control.
- Integral induced air attenuator. • Motor/blower isolation.
- Removable bottom panel allows easy access to motor/blower assembly and primary air damper.
- Four quadrant, center averaging airflow sensor; inlet sizes 6 - 10 (DD = 4 7/8"); sizes 12 - 16 (DD = 6 7/8").
- Discharge requires flanged duct; connection by others.
- Includes 24 volt control transformer.
- ETL listed; adherence to UL 1995 and CSA C22.2 No. 236.95.
- AHRI certified sound ratings.

OPTIONAL FEATURES

- Liners: 1/2" or 1" Cellular insulation, 1" Dual density fiberglass insulation, 1/2" or 1" Foil encapsulated fiberglass insulation, Sterilwall, Steriliner, Perforated doublewall, or no liner.
- Linear averaging airflow sensor; inlet sizes 6 - 10 (DD = 4 7/8"), sizes 12 - 16 (DD = 6 7/8").
- [120, 208/240, or 277 volt, single-voltage] ECM motor with manual or remote adjustable speed controller (on unit sizes 3, 6, and 7).
- Motor disconnect.
- Motor fusing.
- Dust tight control enclosure.
- Cam locks (access panel).
- Induced air filter, construction type; unit sizes 2 - 3 (17"x17"x1"); unit sizes 4 - 7 (22"x19"x1").
- Left-hand or right-hand control enclosure.
- Hanger brackets (not available with sterilwall or perforated doublewall liner options).

FAN POWERED TERMINAL UNITS

K
Q
F
S

© KRUEGER 2012