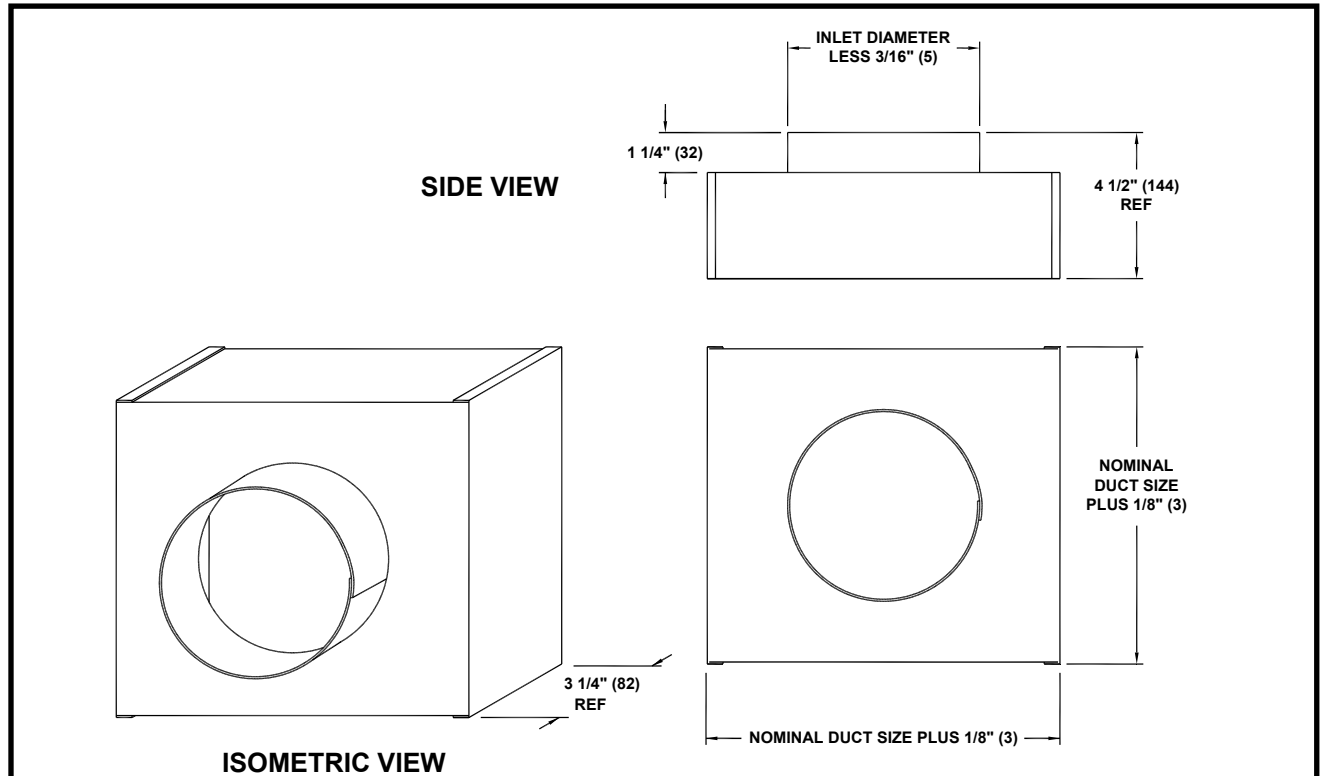


JOB NAME _____
 ARCHITECT _____
 ENGINEER _____
 CONTRACTOR _____
 LOCATION _____

SUBMITTAL SHEET
 Form Number GRS0300.4 Effective Date 1/08
 Replaces Form GRS0300.3



SRAC325
STEEL SQUARE TO ROUND ADAPTER



		Inlet Diameters													
		4" (102)	5" (127)	6" (152)	7" (178)	8" (203)	9" (229)	10" (254)	12" (305)	14" (356)	15" (381)	16" (406)	18" (457)	20" (508)	22" (559)
Square Duct Sizes	6x6 (152x152)	•	•	•											
	8x8 (203x203)		•	•	•	•									
	9x9 (229x229)			•	•	•	•								
	10x10 (254x254)				•	•	•	•							
	12x12 (305x305)				•	•	•	•	•						
	14x14 (356x356)				•	•	•		•	•	•				
	15x15 (381x381)				•	•	•		•	•	•	•			
	16x16 (406x406)				•	•	•		•	•	•		•		
	18x18 (457x457)				•	•	•		•	•	•		•	•	
	20x20 (508x508)				•	•	•		•	•	•		•	•	•
	21x21 (533x533)				•	•	•		•	•	•		•	•	•
	22x22 (559x559)				•	•	•		•	•	•		•	•	•

NOTES :

- STANDARD CONSTRUCTION IS 24 GA. GALVANIZED STEEL.
- UNIT SHIPS SEPARATELY.
- THE SRAC325 IS DESIGNED FOR VARIOUS SQUARE NECK GRILLES, REGISTERS AND DIFFUSERS.
- MILL FINISH STANDARD.

DIMENSIONS ARE GIVEN AS INCHES (MM)