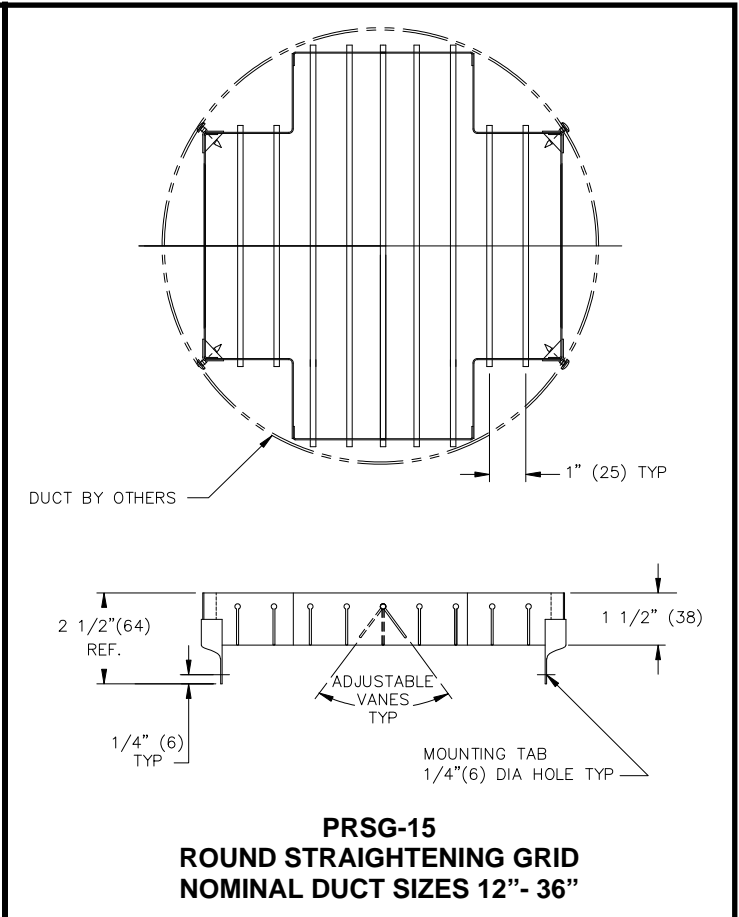
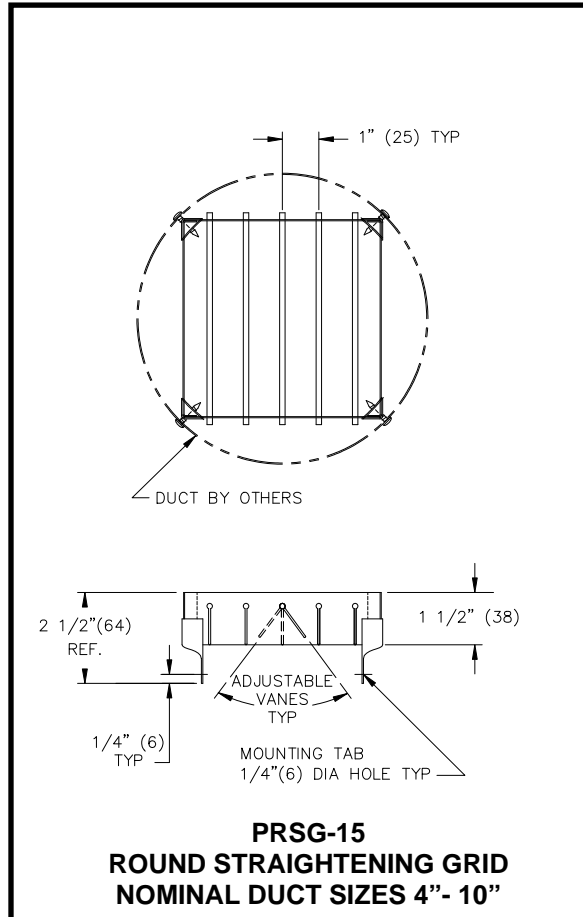


JOB NAME \_\_\_\_\_  
 ARCHITECT \_\_\_\_\_  
 ENGINEER \_\_\_\_\_  
 CONTRACTOR \_\_\_\_\_  
 LOCATION \_\_\_\_\_

**SUBMITTAL SHEET**  
 Form Number DS3011.1 Effective Date 2/13  
 REPLACES DS3011



**PRSG-15**  
**ROUND STRAIGHTENING GRID**



**NOTES :**

1. STANDARD CONSTRUCTION IS 20 GA. GALVANIZED STEEL.
2. ROLL FORMED BLADES ARE INDIVIDUALLY ADJUSTABLE
3. THE **PRSG-15** SHIPS SEPARATELY AND CAN BE USED IN VARIOUS APPLICATIONS.
4. MILL FINISH STANDARD.
5. SCREWS FOR MOUNTING ARE PROVIDED BY OTHERS.

**DIMENSIONS ARE GIVEN AS  
 INCHES (MM)**

	<b>NOMINAL DUCT DIAMETER</b>
<b>PRSG15</b>	<b>4</b>
	<b>6</b>
	<b>8</b>
	<b>10</b>
	<b>12</b>
	<b>14</b>
	<b>16</b>
	<b>18</b>
	<b>20</b>
	<b>24</b>
<b>30</b>	
<b>36</b>	