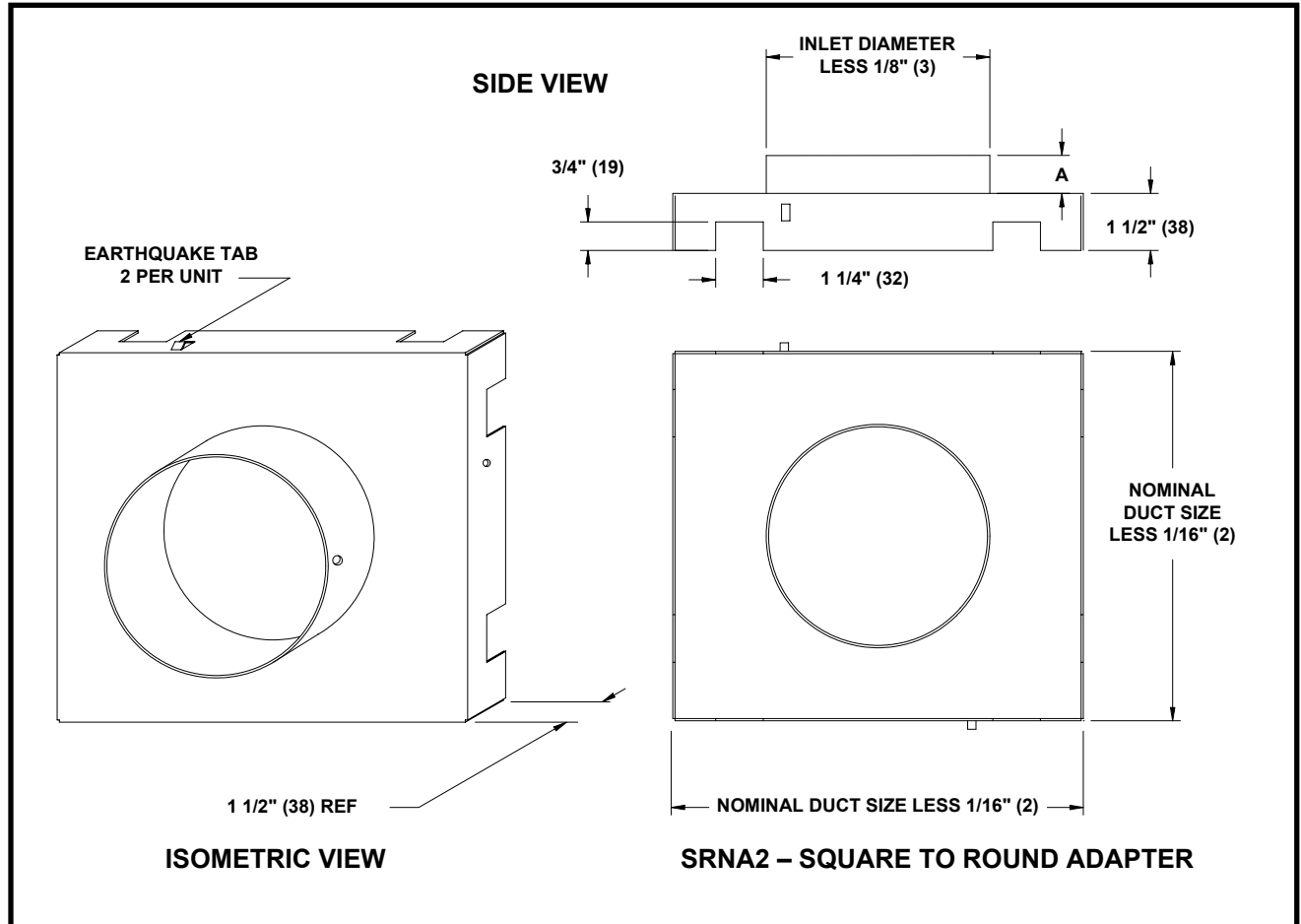


JOB NAME \_\_\_\_\_  
 ARCHITECT \_\_\_\_\_  
 ENGINEER \_\_\_\_\_  
 CONTRACTOR \_\_\_\_\_  
 LOCATION \_\_\_\_\_

**SUBMITTAL SHEET**  
 Form Number DS1055 Effective Date 8/03  
 NEW



**SRNA2**  
**STEEL SQUARE TO ROUND ADAPTER for SH SERIES**



	A	SIZES AVAILABLE				
	NOMINAL INLET DIAMETERS	1" (25) 1 1/4" (32)	6 (152) NA	6 (152) 8 (203)	6 (152) 8 (203) / 10 (254) 12 (305)	6 (152) 8 (203) / 10 (254) 12 (305) / 14 (356)
NOMINAL SQUARE DUCT SIZE	-	6x6 (152x152)	9x9 (229x229)	12x12 (305x305)	15x15 (381x381)	18x18 (457x457)

**NOTES :**

- STANDARD CONSTRUCTION IS 24 GA. GALVANIZED STEEL.
- THE **SRNA2** IS A SQUARE TO ROUND ADAPTER DESIGNED FOR THE SH DIFFUSER SERIES.
- MILL FINISH STANDARD.

**DIMENSIONS ARE GIVEN AS INCHES (MM)**