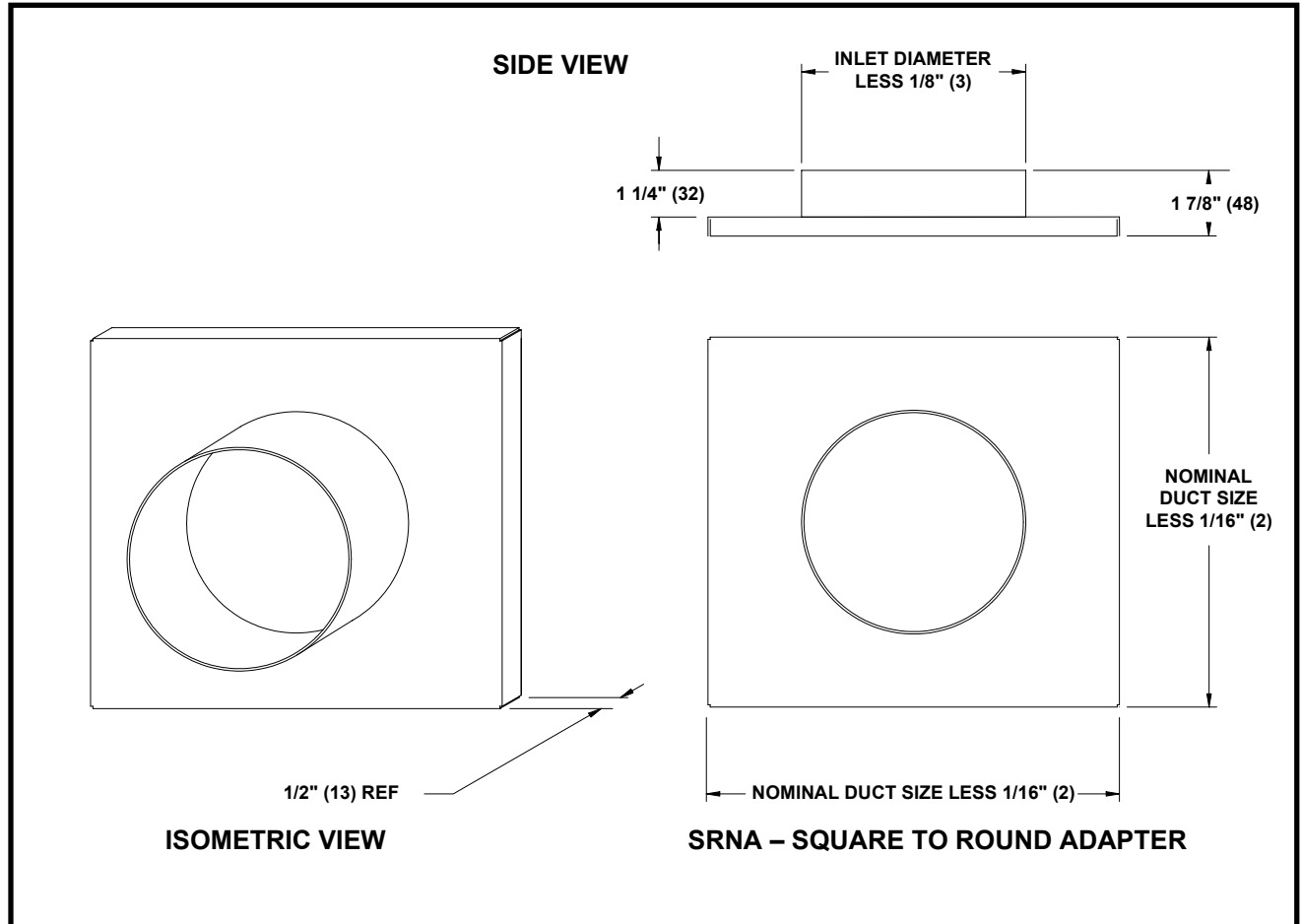


JOB NAME _____
 ARCHITECT _____
 ENGINEER _____
 CONTRACTOR _____
 LOCATION _____

SUBMITTAL SHEET
 Form Number DS1050-1 Effective Date 8/03
 Replaces FORM DS1050



SRNA
STEEL SQUARE TO ROUND ADAPTER for SH SERIES



	SIZES AVAILABLE	
INLET DIAMETERS	18	14 / 16 / 18
SQUARE DUCT SIZE	18x18	21x21

DIMENSIONS ARE GIVEN AS INCHES (MM)

NOTES :

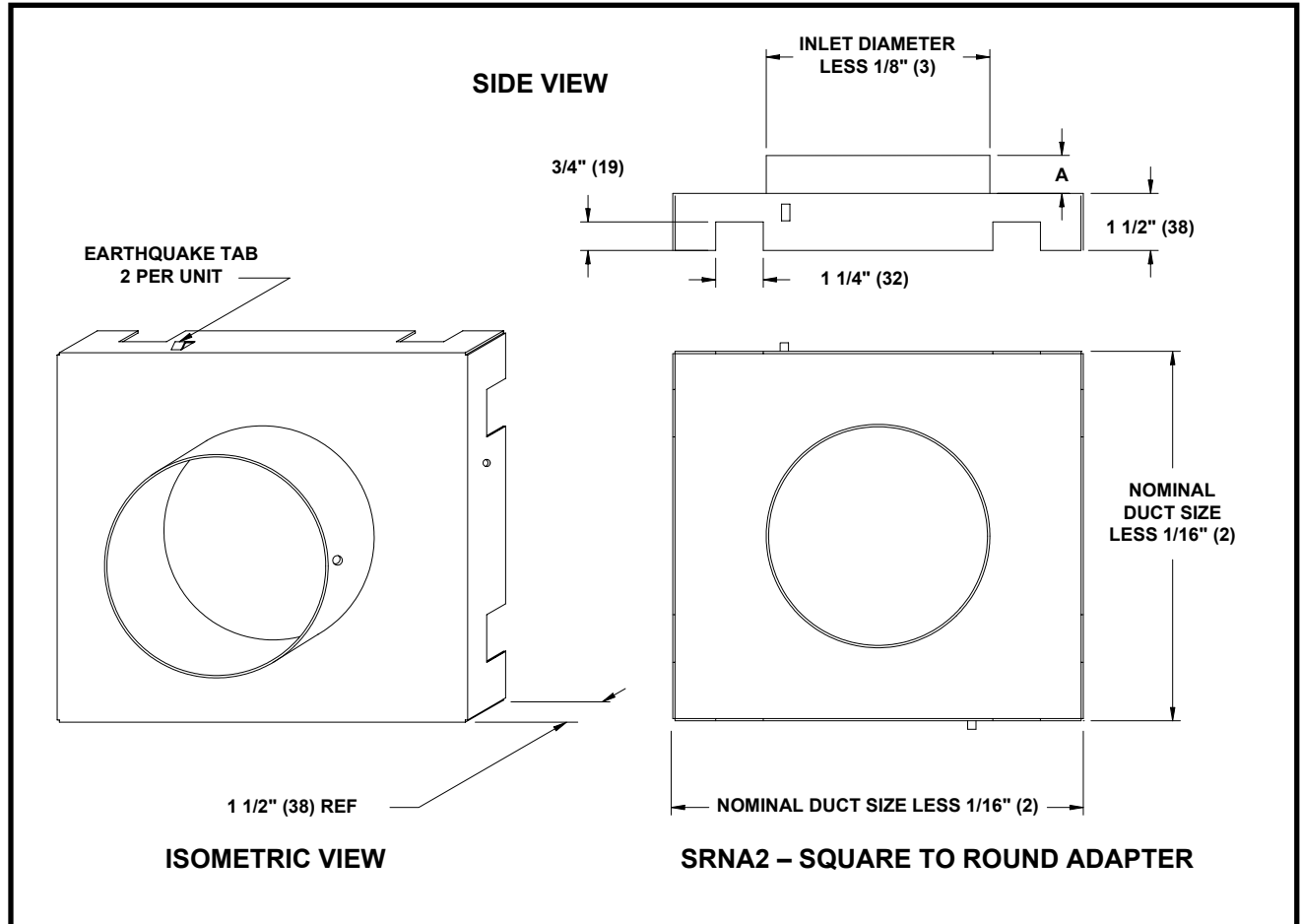
1. STANDARD CONSTRUCTION IS 24 GA. GALVANIZED STEEL.
2. THE **SRNA** IS A SQUARE TO ROUND ADAPTER DESIGNED FOR THE **SH** DIFFUSERS.
3. MILL FINISH STANDARD.

JOB NAME _____
 ARCHITECT _____
 ENGINEER _____
 CONTRACTOR _____
 LOCATION _____

SUBMITTAL SHEET
 Form Number DS1055 Effective Date 8/03
 NEW



SRNA2
STEEL SQUARE TO ROUND ADAPTER for SH SERIES



	A	SIZES AVAILABLE				
	NOMINAL INLET DIAMETERS	1" (25) 1 1/4" (32)	6 (152) NA	6 (152) 8 (203)	6 (152) 8 (203) / 10 (254) 12 (305)	6 (152) 8 (203) / 10 (254) 12 (305) / 14 (356)
NOMINAL SQUARE DUCT SIZE	-	6x6 (152x152)	9x9 (229x229)	12x12 (305x305)	15x15 (381x381)	18x18 (457x457)

NOTES :

- STANDARD CONSTRUCTION IS 24 GA. GALVANIZED STEEL.
- THE **SRNA2** IS A SQUARE TO ROUND ADAPTER DESIGNED FOR THE SH DIFFUSER SERIES.
- MILL FINISH STANDARD.

DIMENSIONS ARE GIVEN AS INCHES (MM)