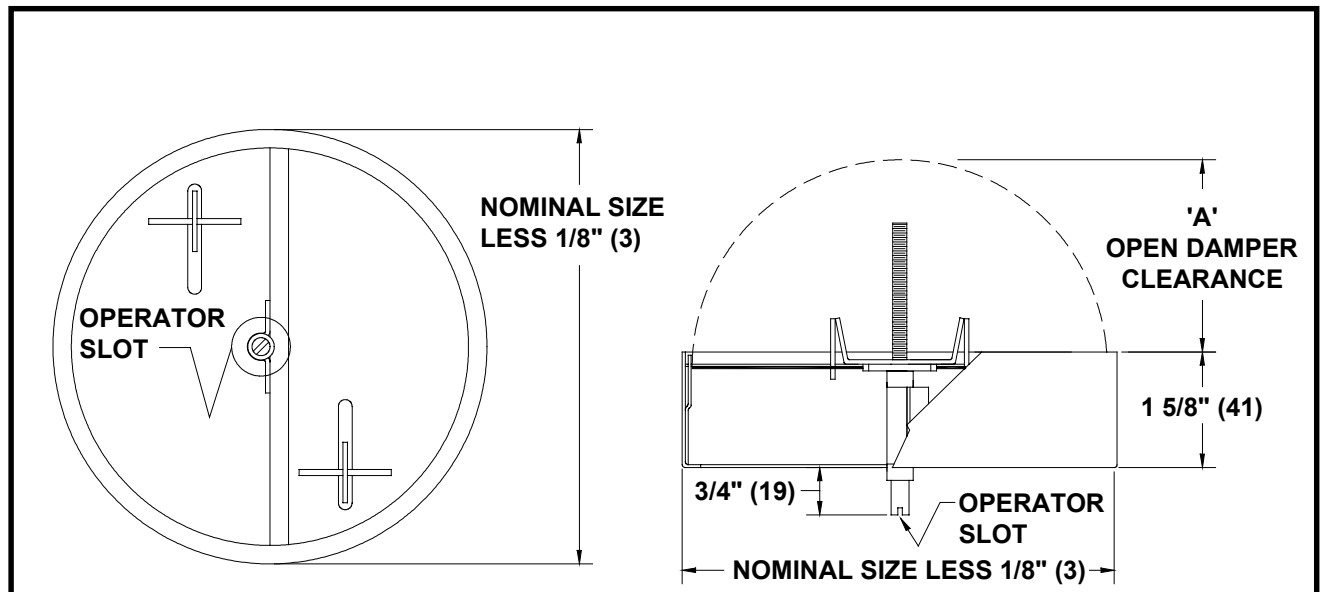


JOB NAME _____
 ARCHITECT _____
 ENGINEER _____
 CONTRACTOR _____
 LOCATION _____

SUBMITTAL SHEET
 Form Number DS1015.1 Effective Date 6/01
 Replaces Form DS1015



PR-12 SERIES BUTTERFLY DAMPER FOR ROUND NECK APPLICATIONS



PR-12 FACE VIEW

SIDE VIEW

NOTES:

1. PR-12 IS A TWO BLADE, BUTTERFLY DAMPER, FOR ROUND DUCT APPLICATIONS.
2. IT IS ADJUSTABLE IN THE CENTER WITH A SCREWDRIVER AT THE OPERATOR SLOT.
3. CONSTRUCTION IS ALL STEEL.
4. UNITS SHIP LOOSE FOR FIELD INSTALLATION AS DUCT MOUNT.
5. STANDARD FINISHES ARE BLACK OR MILL FINISH.

NOMINAL SIZE	'A'		NOMINAL SIZE	'A'	
6	2 7/16"	(62)	14	6 7/16"	(164)
8	3 7/16"	(87)	15	6 15/16"	(176)
10	4 7/16"	(113)	16	7 7/16"	(189)
12	5 7/16"	(138)	18	8 7/16"	(214)
DIMENSIONS ARE GIVEN AS INCHES (MM)			20	9 7/16"	(240)
			24	11 7/16"	(291)