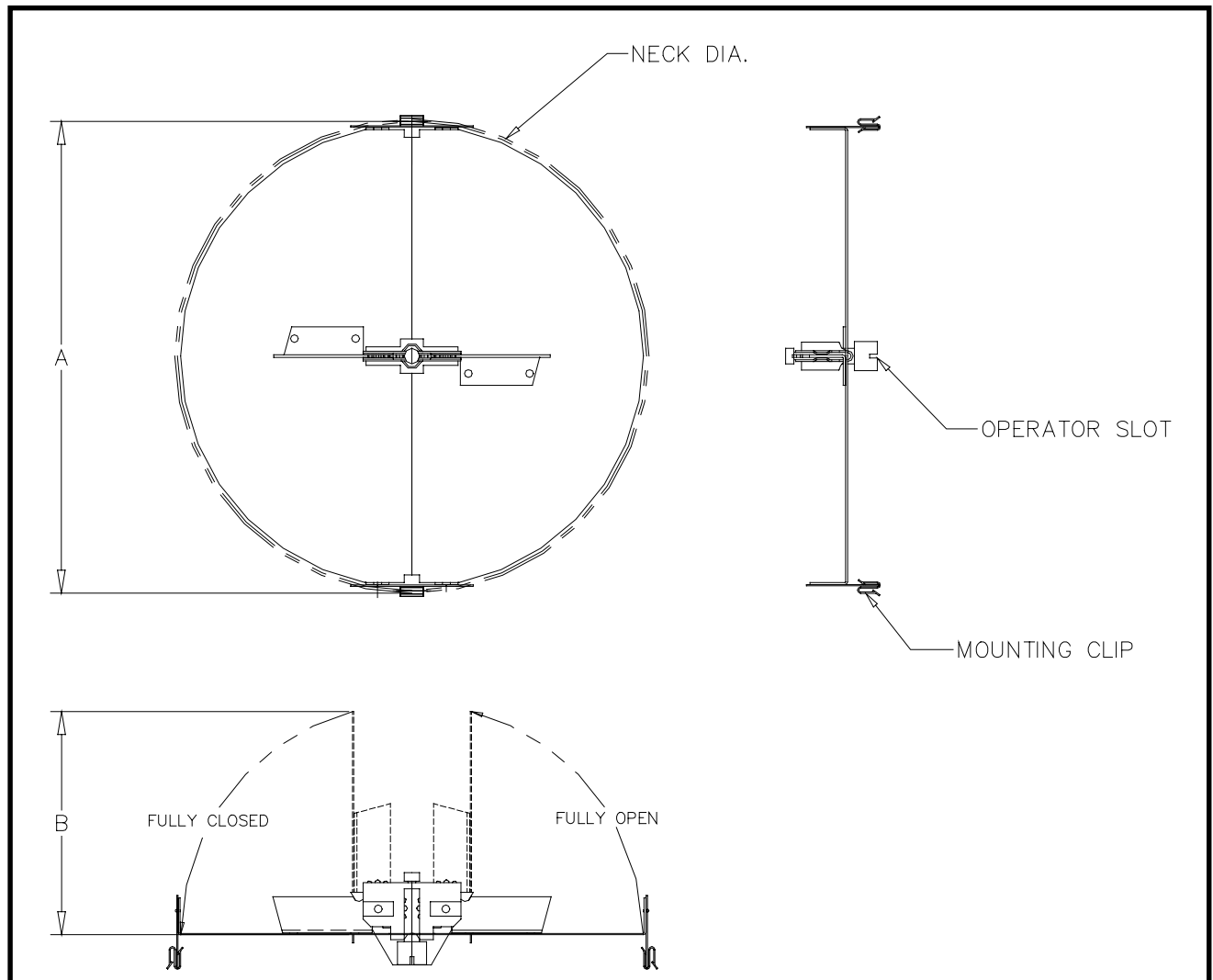


JOB NAME \_\_\_\_\_  
 ARCHITECT \_\_\_\_\_  
 ENGINEER \_\_\_\_\_  
 CONTRACTOR \_\_\_\_\_  
 LOCATION \_\_\_\_\_

**SUBMITTAL SHEET**  
 Form Number DS1013.1 Effective Date 6/99  
 REPLACES DS1013



**RP12 Series**  
**Damper for Round Neck Diffusers**



**NOTES:**

1. Model RP-12 Round Damper is designed for neck mounted applications
2. Steel construction.
3. Screwdriver operated.
4. Field installation is required.
5. Dimensions in inches, parenthesis are in (mm).
6. Standard finish Mill.

SIZE	"A" (DIA.)	"B"
6 (152)	5-7/8 (149)	2-3/4 (70)
8 (203)	7-7/8 (200)	3-3/4 (95)
10 (254)	9-7/8 (251)	4-3/4 (121)
12(305)	11-7/8 (302)	5-3/4 (146)
14 (356)	12-7/8 (352)	6-3/4 (172)