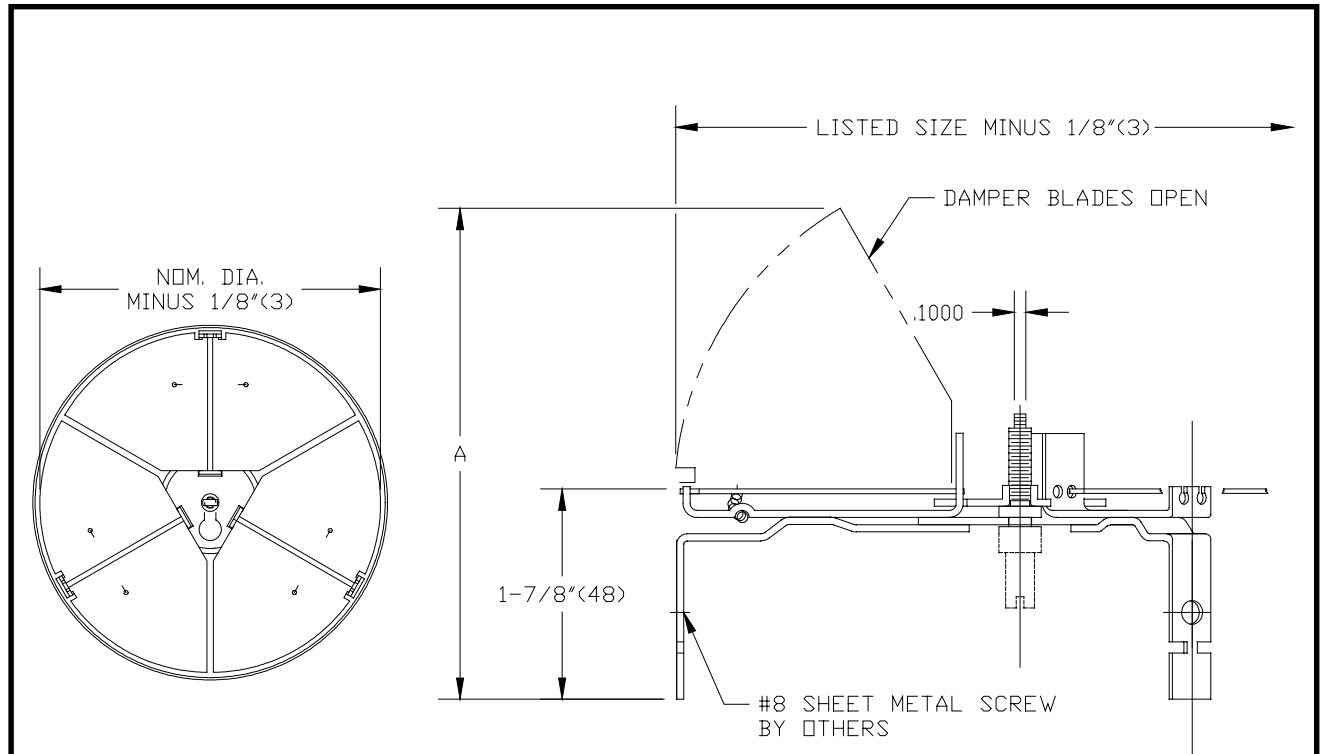


JOB NAME _____
 ARCHITECT _____
 ENGINEER _____
 CONTRACTOR _____
 LOCATION _____

SUBMITTAL SHEET
 Form Number DS1009.1 Effective Date 6/99
 Replaces DS1009



PR10 Series Damper for Round Neck Diffusers



NOTES:

1. The Krueger PR 10 is a neck mounted opposed blade damper used in round duct applications.
2. Gang operated blades (3 sets on sizes 6, 8, 10, and 12) distribute air evenly through the diffuser or duct.
3. Adjustable by screwdriver at the operator slot.
4. Shipped loose for field installation.
5. Steel construction.
6. Dimensions are in inches.
7. Dimensions in parenthesis are in mm.
8. Standard finish: Mill.

LISTED SIZE	A
6 (152)	4-1/4 (108)
7 (178)	4-11/16 (119)
8 (203)	5-1/8 (130)
10 (254)	6 (152)
12 (305)	6-7/8 (175)