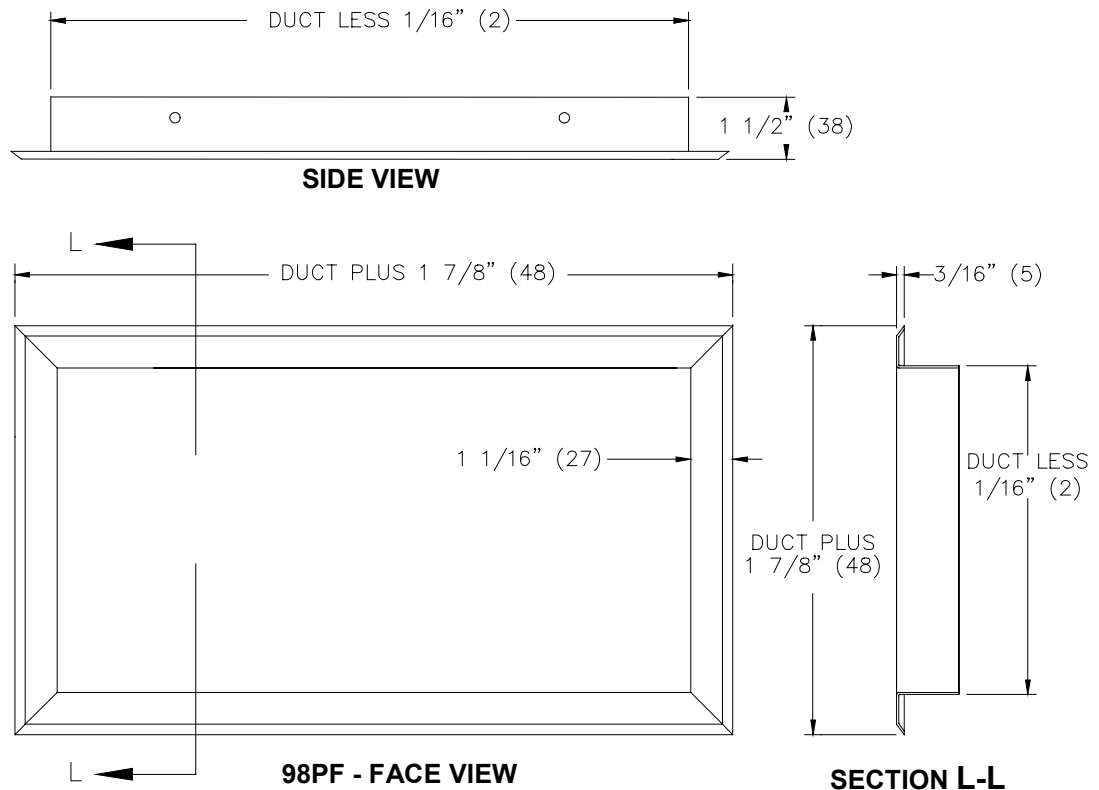


JOB NAME _____
 ARCHITECT _____
 ENGINEER _____
 CONTRACTOR _____
 LOCATION _____

SUBMITTAL SHEET
 Form Number GSS008.1 Effective Date 7/02
 Replaces Form GSS008



98PF
STAINLESS STEEL PLASTER FRAME



NOTES :

1. **98PF** STANDARD CONSTRUCTION IS 20 GA. 304 STAINLESS STEEL.
2. COUNTER SUNK SCREW HOLES ARE PROVIDED WITH #6 x 1-1/4" STAINLESS SHEET METAL SCREWS.
3. STANDARD FINISH IS #3 SATIN POLISHED.

OPTIONS :

- TYPE 316 STAINLESS STEEL
- NO SCREW HOLES ON FACE
- MILL FINISH

MAXIMUMS :

SINGLE UNIT 48" (1219) x 60" (1524)

DIMENSIONS ARE GIVEN AS INCHES (MM)

