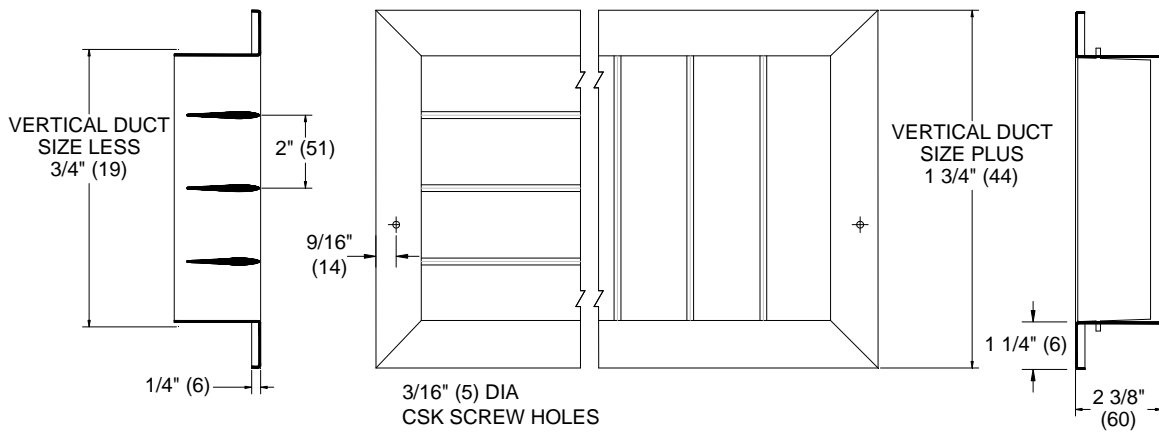


JOB NAME _____
 ARCHITECT _____
 ENGINEER _____
 CONTRACTOR _____
 LOCATION _____

SUBMITTAL SHEET
 Form Number GS0042.4 Effective Date 5/13
 Replaces For GS0042.3



680-20, 5680-20 SERIES
INDUSTRIAL SINGLE DEFLECTION SUPPLY GRILLE

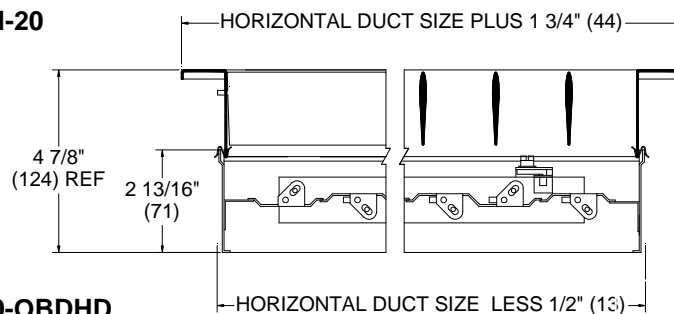


680H-20

680V-20

5680H-20

5680V-20



680H-20-OBDDH

680V-20-OBDDH

5680H-20-OBDDH

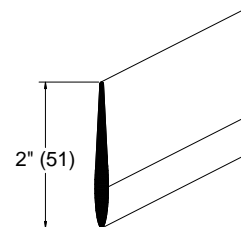
5680V-20-OBDDH

NOTES:

1. 680-20 SERIES IS STEEL CONSTRUCTION WITH ADJUSTABLE EXTRUDED ALUMINUM BLADES
2. 5680-20 SERIES IS ALUMINUM CONSTRUCTION WITH ADJUSTABLE EXTRUDED ALUMINUM BLADES
3. MINIMUM SIZE OFFERED IS 6"x6" (152x152)
4. MAXIMUM SINGLE UNIT SIZE IS 48"x48" (1219x1219)
MULTIPLE SECTIONS ARE FURNISHED FOR LARGER SIZES
5. STANDARD FINISH IS 44 BRITISH WHITE

ACCESSORIES:

- OBDDH STEEL HEAVY DUTY OPPOSED BLADE DAMPER



(5)680-20 BLADE DETAIL

DIMENSIONS ARE GIVEN AS INCHES (MM)