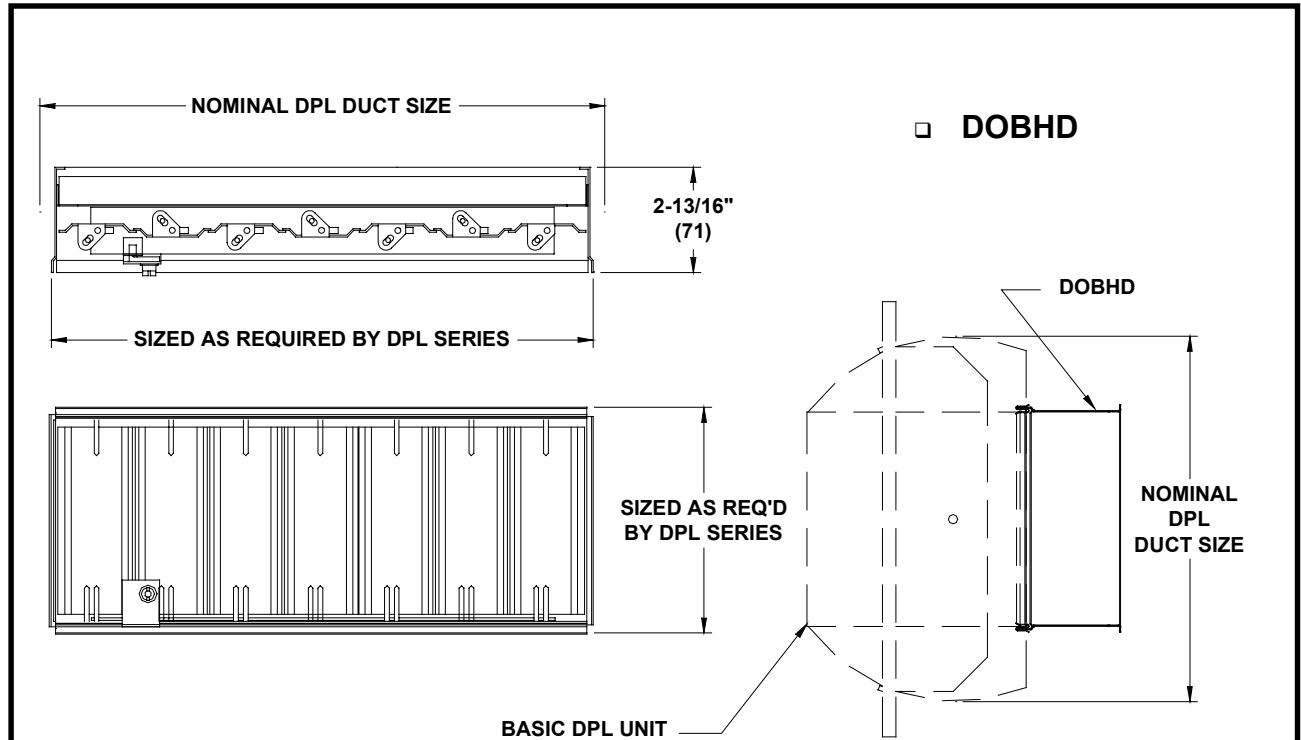


JOB NAME \_\_\_\_\_  
 ARCHITECT \_\_\_\_\_  
 ENGINEER \_\_\_\_\_  
 CONTRACTOR \_\_\_\_\_  
 LOCATION \_\_\_\_\_

**SUBMITTAL SHEET**  
 Form Number DS1001 Effective Date 6/01  
 NEW



**DOBHD**  
**HEAVY DUTY STEEL OPPOSED BLADE DAMPER for DPL SERIES**



**NOTES:**

1. **DOBHD** HEAVY DUTY STEEL CONSTRUCTION
2. DAMPER SLOT OPERATOR IS ACCESSIBLE THROUGH THE FACE OF THE DPL UNIT
3. ORDERING IS BASED ON THE NOMINAL SIZES OF THE DPL CHART ON **FORM GRS1100 PG2**.
4. STANDARD FINISH IS #44 WHITE. DPL AND DAMPER WILL SHARE COMMON FINISH AS SPECIFIED ON ORDER.

**DIMENSIONS ARE GIVEN AS INCHES (MM)**