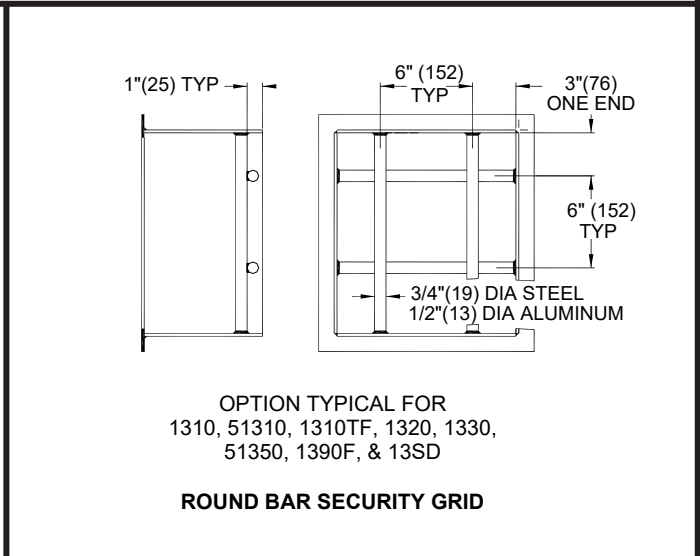
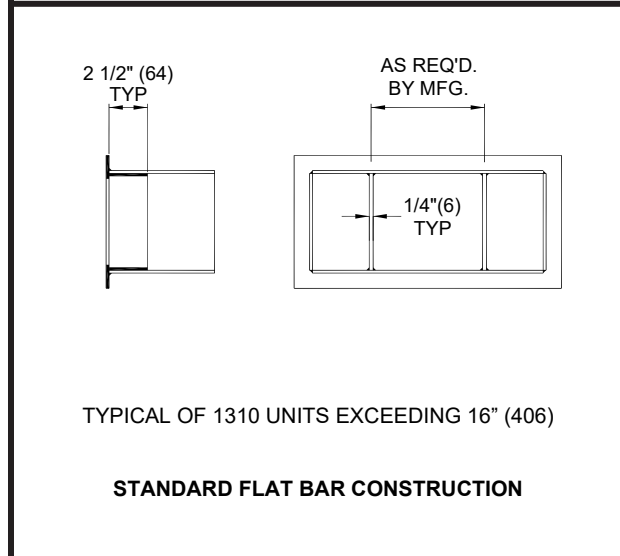
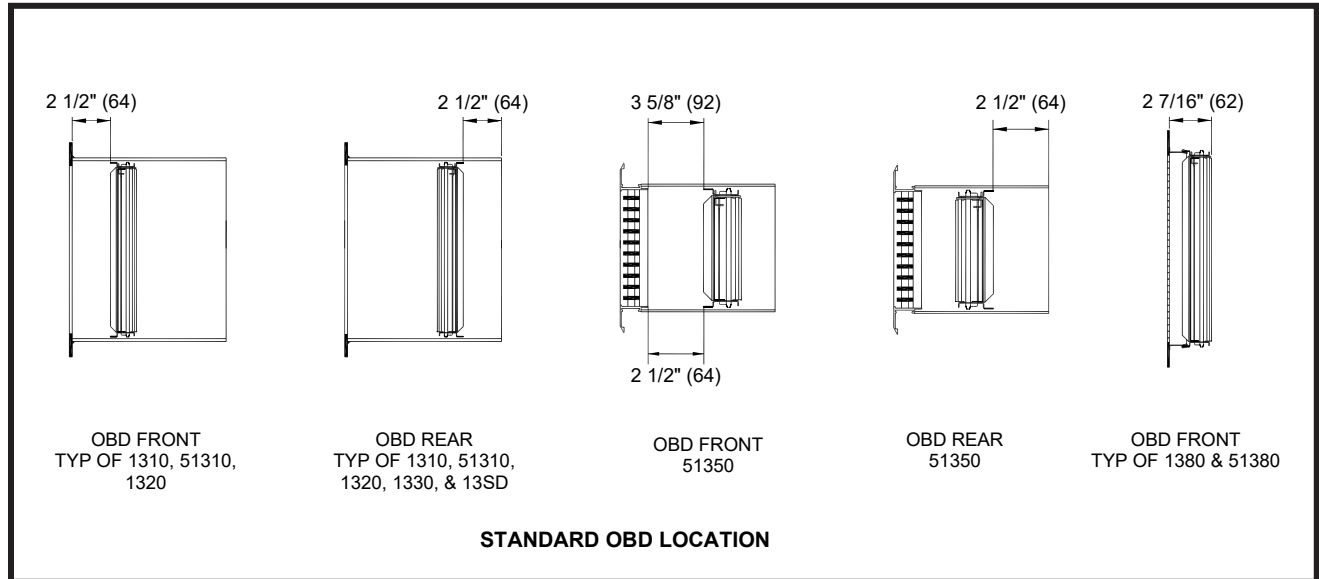


JOB NAME _____
 ARCHITECT _____
 ENGINEER _____
 CONTRACTOR _____
 LOCATION _____

SUBMITTALSHEET
 Form Number SG7050.3 Effective Date 02/22
 Replaces Form SG7050.2



1300 SERIES OBD and Bar Accessory Details



NOTE :

- Location of optional features allows multiple options to be available on any unit at a given time.

**ALL DIMENSIONS APPLY TO
 STEEL AND ALUMINUM
 CONSTRUCTION UNLESS
 SPECIFICALLY NOTED.**

**DIMENSIONS ARE GIVEN AS
 INCHES(MM)**