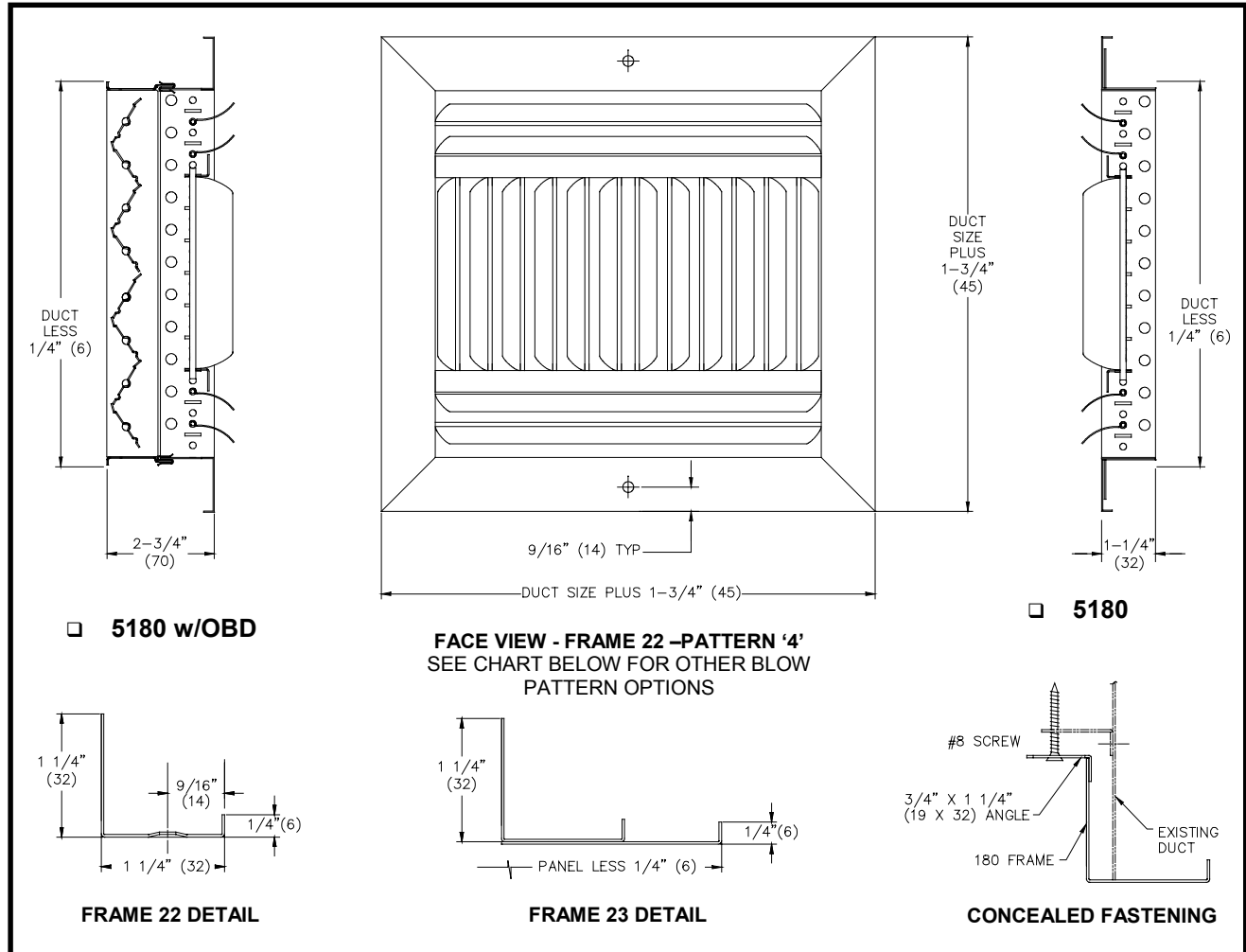


JOB NAME _____
 ARCHITECT _____
 ENGINEER _____
 CONTRACTOR _____
 LOCATION _____

SUBMITTAL SHEET
 Form Number GS0211.1 Effective Date 2/01
 Replaces GS0211



SERIES 5180
CURVED BLADE, MULTI- DEFLECTION ALUMINUM DIFFUSER



NOTES :

1. 5180 IS ALUMINUM CONSTRUCTION
2. EACH BLADE IS INDIVIDUALLY ADJUSTABLE.
3. STANDARD FINISH IS 44 WHITE

OPTIONS :

- NO SCREW HOLES
- CONCEALED FASTENING

ACCESSORIES :

- 50BD ALUMINUM OPPOSED BLADE DAMPER
- 58PF ALUMINUM PLASTER FRAME
- SRAC325 STEEL SQUARE TO ROUND ADAPTER

DIMENSIONS ARE SHOWN AS
 INCHES (MM)

1-WAY	2-WAY	3-WAY	4-WAY
 1	 2	 3	 4
 1S	 2S	 3C	 4S
 1L	 2L	 2CL	

Product Information is Subject to Change Without Notice