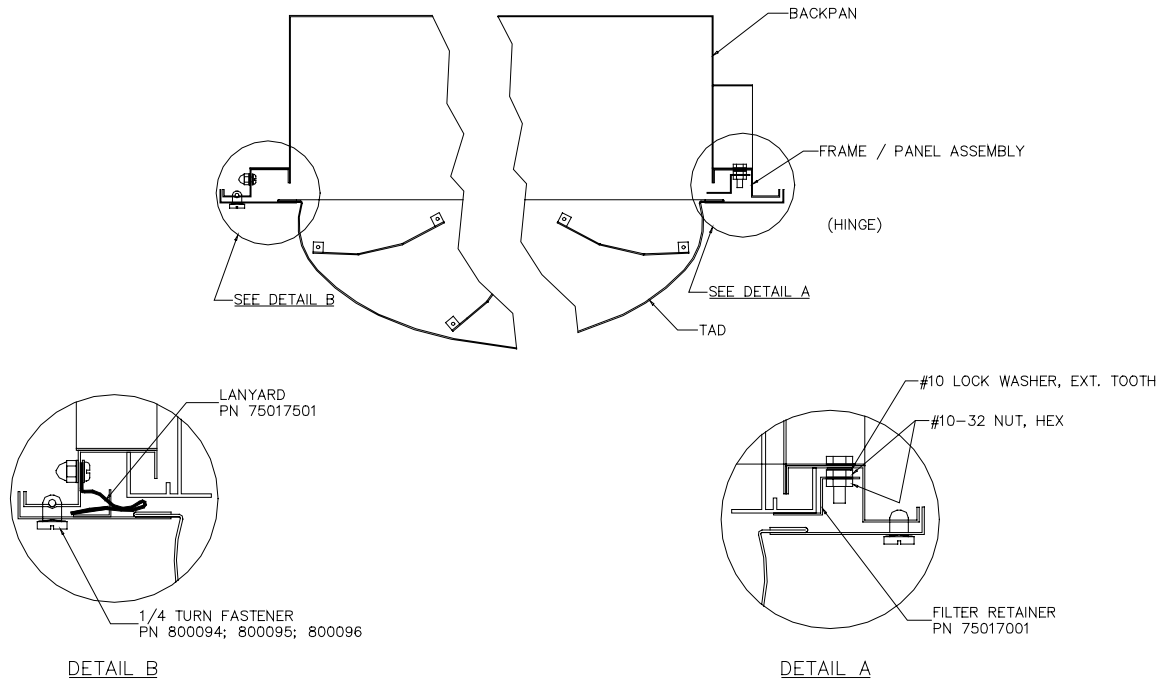


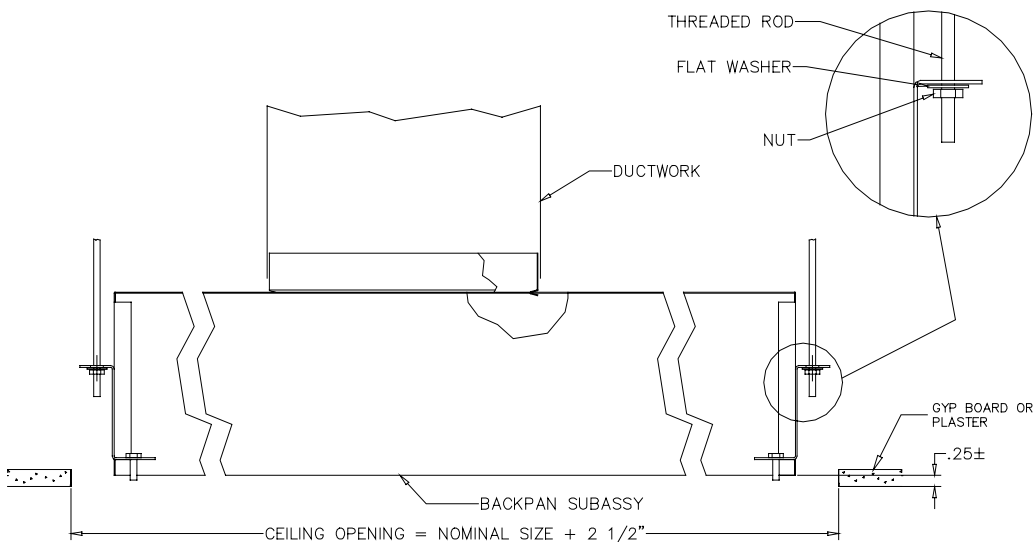
TADHF INSTALLATION INSTRUCTIONS

STEP 1--PREPARATION:



1. Remove TADHF from crate and separate from packing material.
2. Open the face of the unit by releasing the 1/4 turn fasteners. The fasteners are located on the sides of the face.
3. Unhook the lanyard from the lanyard clip. (See Detail B.)
4. Remove the face subassembly. Set aside for re-installation.
5. Note: If you have access to the plenum space, you may now hang the unit with the frame in place. Skip the necessary steps below. If you do not have access to the space continue as follows.
6. Remove the filter retainer, assembly hardware and frame subassembly. Set aside for re-installation.

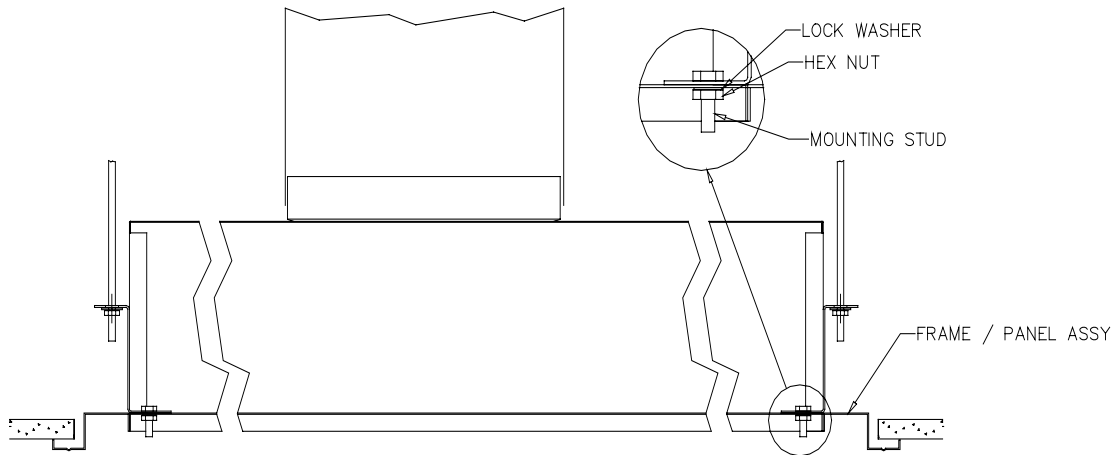
STEP 2--HANGING THE BACKPAN:



7. Lift the backpan assembly into the ceiling opening and locate on the pre-installed hanger rods. Attach with

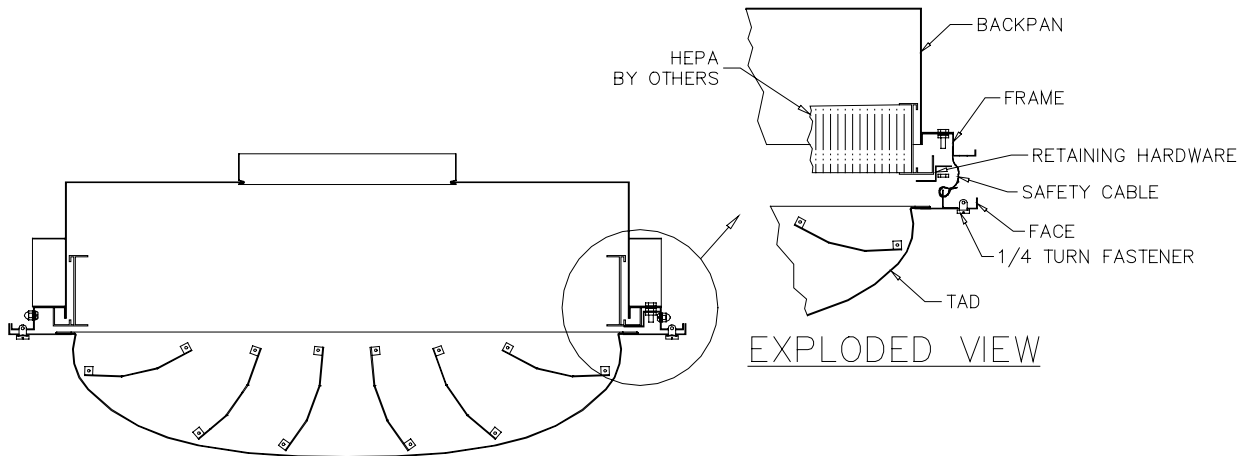
- flat washer and nut (hanger rods and hardware by others).
8. Adjust to locate the edge of the backpan within approximately 1/4" of the finished ceiling surface.
 9. Fasten and seal ductwork as required. (ductwork and hardware by others.)

STEP 3--FRAME INSTALLATION:



10. Re-install frame / panel assembly on mounting studs in the backpan hanger brackets. Remove frame and re-adjust backpan as required.
11. Re-install the hex nuts and lock washers set aside from STEP 1, snugging the frame/panel assembly against the ceiling.

STEP 4--FINAL INSTALLATION:



12. Install appropriate size and model HEPA filter into the backpan. The backpan perimeter must seat into the gel channel in accord with the filter manufacturer's instructions. Re-install the filter retainer and hardware set aside in STEP 1.
13. Re-install the face subassembly set aside in STEP 1. Use care orienting TAD in the desired direction, if applicable.
14. Re-hook lanyards over the lanyard clips being sure that the snap is completely engaged.
15. Close the unit by capturing the frame with the 1/4 turn fasteners. Rotate the head 90° until you feel the pin completely seat.