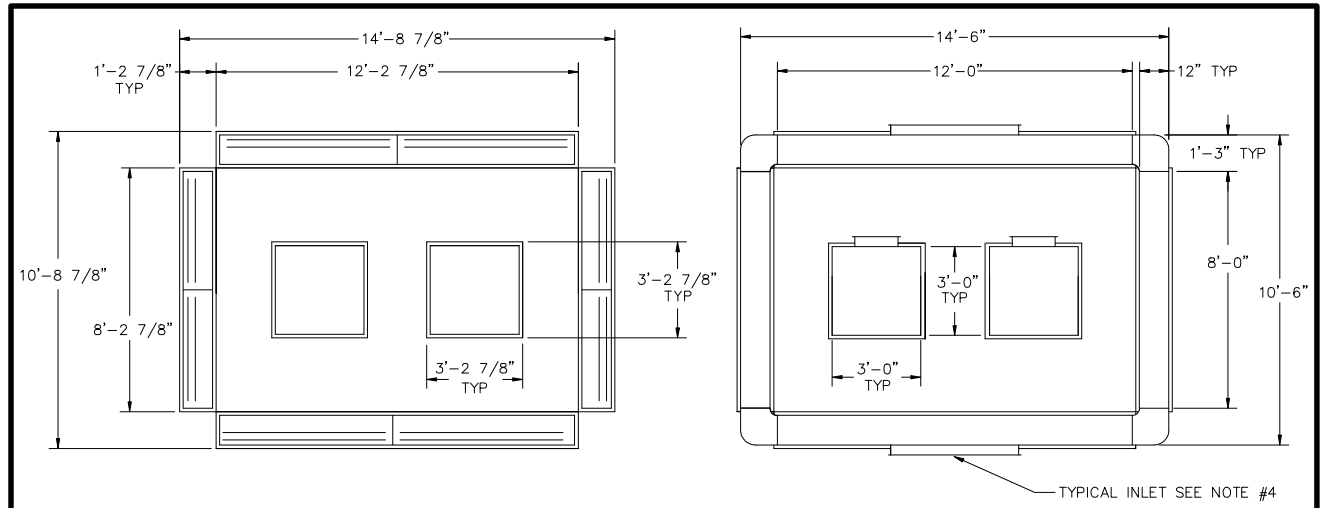


JOB NAME \_\_\_\_\_  
 ARCHITECT \_\_\_\_\_  
 ENGINEER \_\_\_\_\_  
 CONTRACTOR \_\_\_\_\_  
 LOCATION \_\_\_\_\_

**SUBMITTALSHEET**  
 Form Number SS0007 Effective Date 11/97  
 replaces FORM SS-S-0007

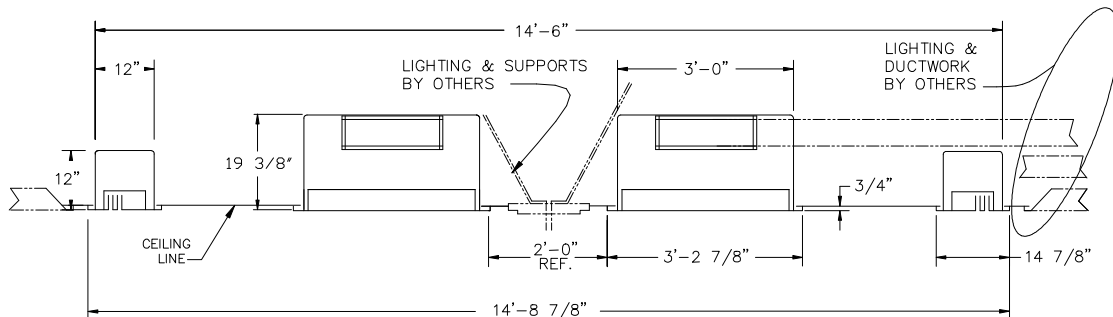


**STERILFLO SYSTEM MODEL 812CMSL**  
**OPERATING ROOM PARTICULATE CONTROL SYSTEM**



**REFLECTED CEILING VIEW**

**PLENUM TOP VIEW**



**MODEL 812CMSL CROSS SECTION**  
 NTS

**NOTES :**

- MATERIAL SPECIFICATIONS:** PLENUMS : 304 STAINLESS STEEL MINIMUM 22 GA.  
 PERFORATED CENTER PANEL FACES : 304 STAINLESS STEEL MINIMUM 22 GA.  
 SLOTTED PERIMETER FACES : 304 STAINLESS STEEL MINIMUM 20 GA.
- FINISH OF SLOTTED PERIMETER FACE PANELS AND ALL EXPOSED FRAMES IS NO. 4 SCRATCH OR EQUAL.
- ALL FACE PANELS ARE RETAINED WITH QUARTER TURN FASTENERS FOR EASE OF INSTALLATION & REMOVAL.
- FLANGED INLETS (4" DEEP) ARE SIZED ACCORDING TO THE NUMBER OF AIR CHANGES REQUIRED AND THE VOLUME OF THE ROOM SPECIFIED.
- MODEL 812CMSL** IS DESIGNED TO MEET A REQUIREMENT OF **1500 CFM – 2700 CFM**. IT PROVIDES AN UNINTERRUPTED AIR SUPPLY OVER THE OPERATING TABLE. THE SURGICAL TABLE MUST BE ALIGNED WITH THE STERILFLO SYSTEM, LONG SIDE TO LONG SIDE, TO PROVIDE THE DESIRED AIR PATTERN.

Product Information is Subject to Change Without Notice