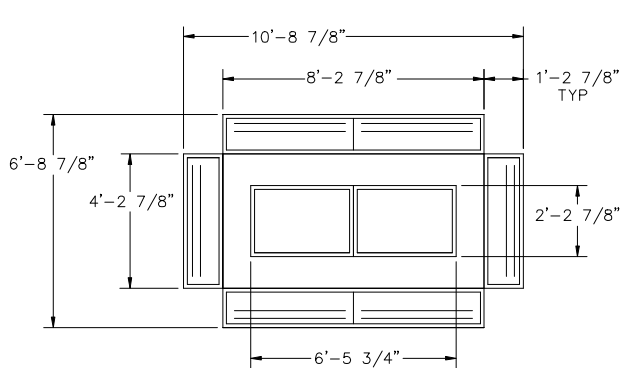


JOB NAME \_\_\_\_\_  
 ARCHITECT \_\_\_\_\_  
 ENGINEER \_\_\_\_\_  
 CONTRACTOR \_\_\_\_\_  
 LOCATION \_\_\_\_\_

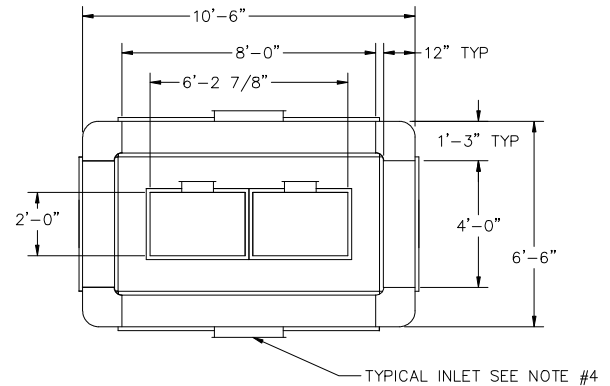
**SUBMITTALSHEET**  
 Form Number SS0001 Effective Date 11/97  
 replaces FORM SS-S-0001



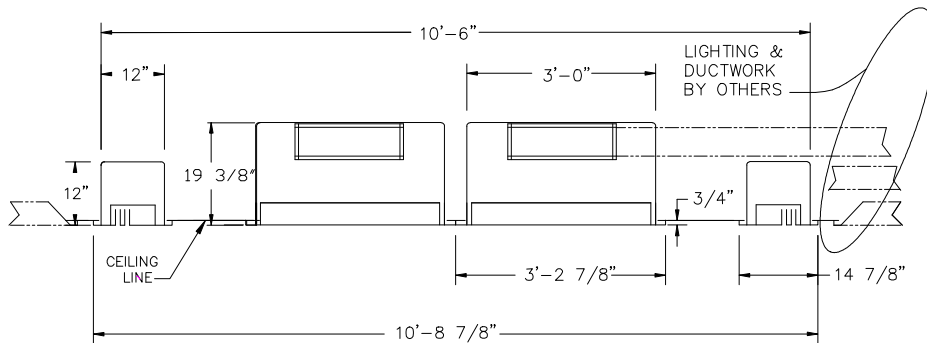
**STERILFLO SYSTEM MODEL 48**  
**OPERATING ROOM PARTICULATE CONTROL SYSTEM**



**REFLECTED CEILING VIEW**



**PLENUM TOP VIEW**



**MODEL 48 CROSS SECTION**  
 NTS

**NOTES :**

1. **MATERIAL SPECIFICATIONS:** PLENUMS : 304 STAINLESS STEEL MINIMUM 22 GA.  
 PERFORATED CENTER PANEL FACES : 304 STAINLESS STEEL MINIMUM 22 GA.  
 SLOTTED PERIMETER FACES : 304 STAINLESS STEEL MINIMUM 20 GA.
2. FINISH OF SLOTTED PERIMETER FACE PANELS AND ALL EXPOSED FRAMES IS NO. 4 SCRATCH OR EQUAL.
3. ALL FACE PANELS ARE RETAINED WITH QUARTER TURN FASTENERS FOR EASE OF INSTALLATION & REMOVAL.
4. FLANGED INLETS (4" DEEP) ARE SIZED ACCORDING TO THE NUMBER OF AIR CHANGES REQUIRED AND THE VOLUME OF THE ROOM SPECIFIED.
5. **MODEL 48** IS DESIGNED TO MEET A REQUIREMENT OF **900 CFM – 1600 CFM**. IT PROVIDES AN UNINTERRUPTED AIR SUPPLY OVER THE OPERATING TABLE. THE SURGICAL TABLE MUST BE ALIGNED WITH THE STERILFLO SYSTEM, LONG SIDE TO LONG SIDE, TO PROVIDE THE DESIRED AIR PATTERN.