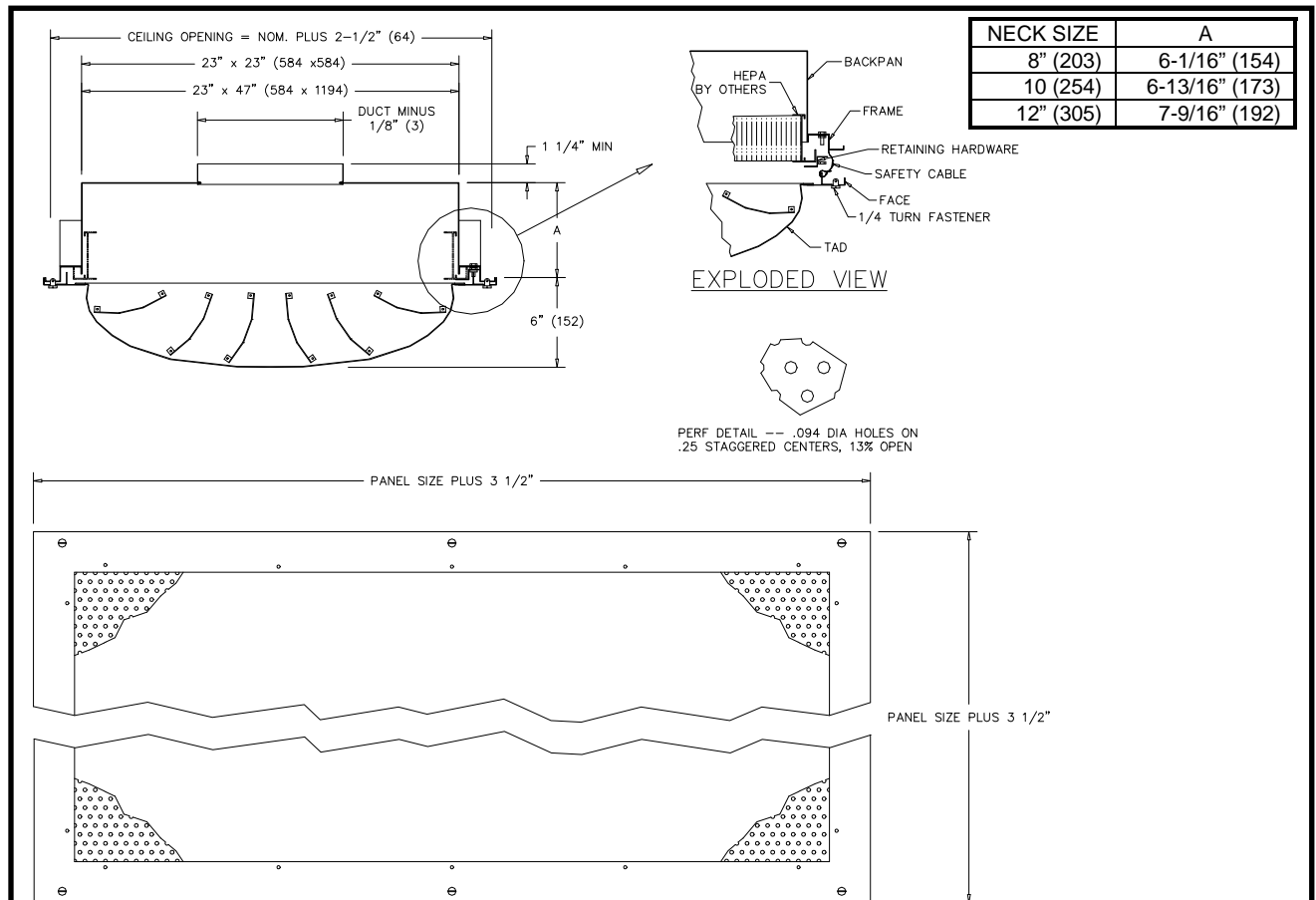


JOB NAME _____
 ARCHITECT _____
 ENGINEER _____
 CONTRACTOR _____
 LOCATION _____

SUBMITTAL SHEET
 Form Number DS0203.3 Effective Date 2/13
 Replaces DS0203.2



TADHF SERIES - Total Air Diffuser, Drop Face for Surface Mount Two Way Air Pattern



NOTES:

1. Available in Aluminum and Stainless Steel Standard construction
2. Standard finish is 44 British White for Aluminum and 01 Mill for Stainless Steel.
3. Available neck sizes - 8" (203), 10" (254) or 12" (305).
4. Available panel sizes - 24 x 24 (610 x 610) and 48 x 24 (1219 x 610).
5. Retainer cables are standard (4 per unit).
6. Total Air diffuser is a trademark of Total Air, Inc.
7. The Total Air Diffuser is a patented device (U.S. Patent 4,616,558)
8. Recommended filter: AAF AstroCel II LPD Series 85 or equal.

DIMENSIONS ARE SHOWN AS INCHES (mm)