

JOB NAME _____
 ARCHITECT _____
 ENGINEER _____
 CONTRACTOR _____
 LOCATION _____

SUBMITTAL SHEET
 Form Number DS0200.5 Effective Date 11/12
 Replaces DS0200.4

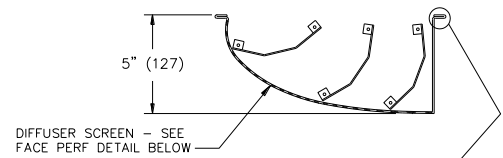


TAD / TADSS SERIES – Total Air Diffuser
One Way Air Pattern

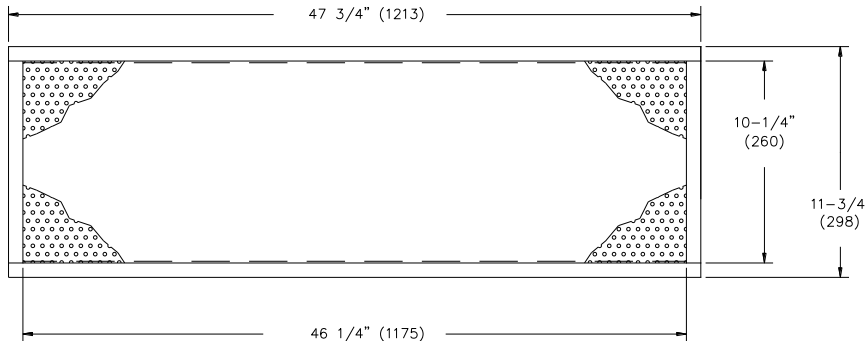
12" (305) Wide Panel



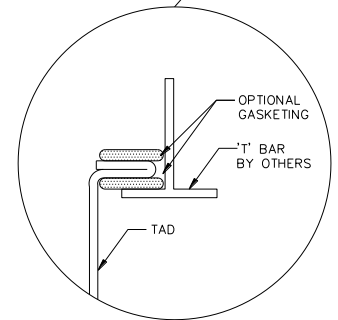
CURVED SIDE VIEW
NTS



CROSS SECTION

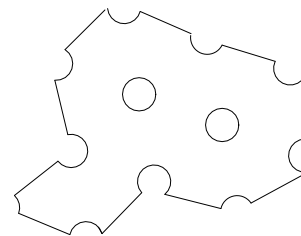


FACE VIEW



NOTES :

1. Standard construction is a aluminum with an optional steel or aluminum backpan
2. Stainless steel TAD and backpan is an available option
3. Standard finish is 44 white
4. Stainless steel finish if 01 mill
5. mm shown in ()
6. Gaskets ordered & shipped loose for field installation
7. Total Air Diffuser is a trademark of Total Air, Inc.
8. The Total Air Diffuser is a patented device (U.S. Patent 4,616,558)



**DIFFUSER FACE
 PERF DETAIL**
 .094 (2) DIA HOLES ON
 .25 (6) STAG CENTERS
 13% OPEN AREA

**DIMENSIONS ARE SHOWN AS
 INCHES (MM)**

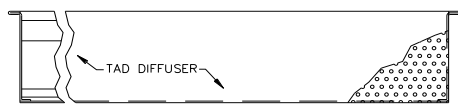
JOB NAME _____
 ARCHITECT _____
 ENGINEER _____
 CONTRACTOR _____
 LOCATION _____

SUBMITTAL SHEET
 Form Number DS0200.4 Effective Date 9/12
 Replaces DS0200.3 & DS0202

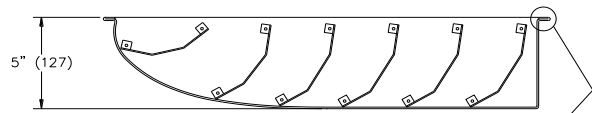


TAD / TADSS SERIES – Total Air Diffuser
One Way Air Pattern

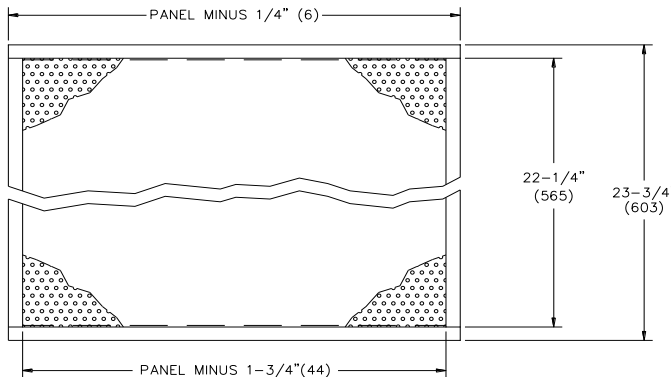
24" Wide (610) Panel



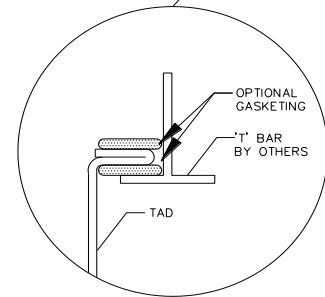
CURVED SIDE VIEW
NTS



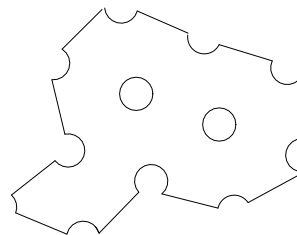
CROSS SECTION



FACE VIEW



**DIFFUSER FACE
 PERF DETAIL**
 094 (2) DIA HOLES ON
 25 (6) STAG CENTERS
 13% OPEN AREA



NOTES :

1. Standard construction is a aluminum with an optional steel or aluminum backpan
2. Stainless steel TAD and backpan is an available option
3. Standard finish is 44 white
4. Stainless steel finish if 01 mill
5. mm shown in ()
6. Gaskets ordered & shipped loose for field installation
7. Total Air Diffuser is a trademark of Total Air, Inc.
8. The Total Air Diffuser is a patented device (U.S. Patent 4,616,558)

TAD/TADSS			
	Panel Size	W	L
1-Way	24" x 24" (610 x 610)	23 3/4" (603)	23 3/4" (603)
	24" x 48" (610 x 1219)	23 3/4" (603)	23 3/4" (603)

**DIMENSIONS ARE SHOWN AS
 INCHES (MM)**