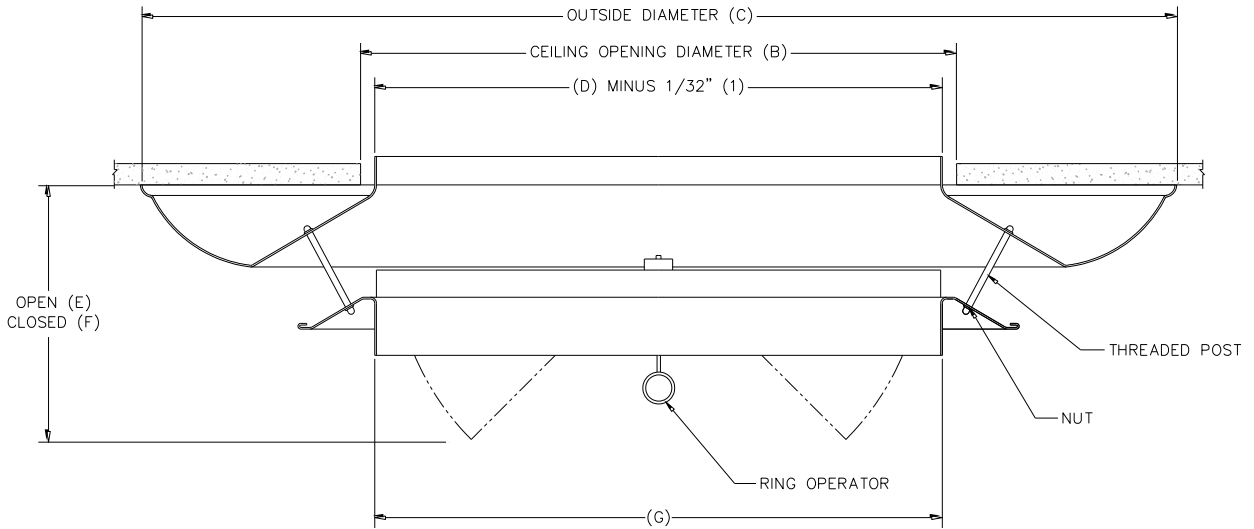


JOB NAME _____
 ARCHITECT _____
 ENGINEER _____
 CONTRACTOR _____
 LOCATION _____

SUBMITTAL SHEET
 Form Number GS3106.3 Effective Date 4/18
 Replaces Form GS3106.2



R1DBR10 – INDUSTRIAL ROUND DOWNBLOW DIFFUSER With Ring Operator



CROSS SECTION

Nominal Round Duct Size D	B	C	E	F	G
10	10-1/2 (267)	18-1/4 (464)	7-1/2 (191)	3 (76)	10 (254)
12	12-1/2 (318)	22 (559)	9-3/8 (238)	4 (102)	12 (305)
14	14-1/2 (368)	26 (660)	6-3/4 (171)	4 (102)	14 (356)
16	16-1/2 (419)	29 (737)	8-1/2 (216)	5 (127)	16 (406)
18	18-1/2 (470)	32-1/2 (826)	9-1/8 (232)	5 (127)	18 (457)
20	20-1/2 (521)	36 (914)	10-3/8 (264)	5-1/2 (140)	20 (508)
24	24-1/2 (622)	43-1/4 (1099)	12-1/4 (308)	6-5/8 (168)	24 (610)
30	30-1/2 (775)	53-5/8 (1362)	13-7/8 (352)	8-1/4 (210)	30 (762)
36	36-1/2 (927)	64-3/8 (1635)	15-5/8 (397)	10 (254)	36 (914)

NOTES:

- 360 degree discharge pattern.
- R1DBR10 Series – All steel construction.
- Ring Operator.
- Not available in 6" or 8" inlet size.
- Standard finish is 44 white.
- Dimensions are in inches.
- Dimensions in parenthesis are in mm.
- Requires hard duct or framing to mount.

DAMPER:

- PR10
- PRD10
- PR12
- PRN100

ACCESSORIES:

- Safety Chain
- Round Straightening Grid

