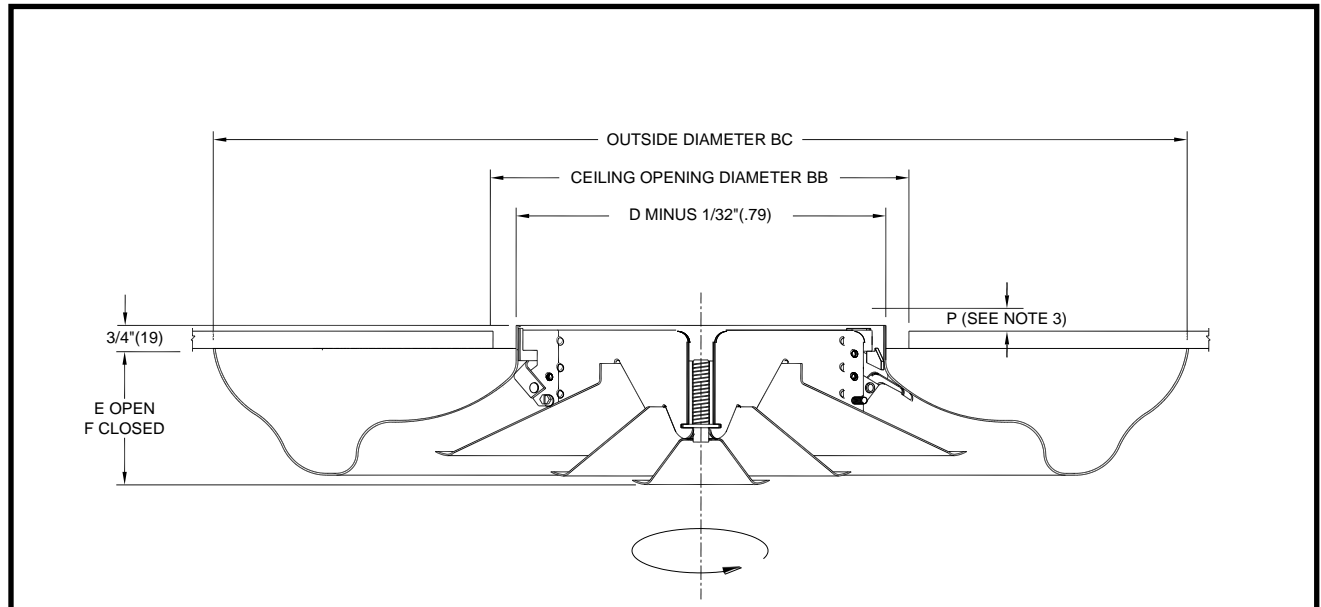


JOB NAME _____
 ARCHITECT _____
 ENGINEER _____
 CONTRACTOR _____
 LOCATION _____

SUBMITTAL SHEET
 Form Number GS3105.2 Effective Date 4/18
 REPLACES GS3105.1



RA4 - ROUND CEILING DIFFUSER with Fully Adjustable Horizontal to Vertical Core and a Anti-smudge Ring



Nominal Duct Size D	E	F	P	Ceiling Opening BB	Outer Cone BC
6	3-1/16 (78)	2-5/16 (59)	-	7 (178)	17-3/8 (441)
8	3-15/16 (100)	3 (76)	-	9 (229)	23-1/4 (591)
10	4-7/8 (124)	3-3/4 (95)	-	11 (279)	29 (737)
12	5-15/16 (151)	4-1/2 (114)	-	13 (330)	34-7/8 (886)
14	6-7/8 (175)	4-15/16 (125)	2-1/2 (64)	15 (381)	40-5/8 (1032)
16	7-9/16 (192)	5-9/16 (141)	2-5/8 (67)	17 (432)	46-3/8 (1178)
18	8-5/8 (219)	6-3/8 (162)	2-3/4 (70)	19 (483)	51-3/8 (1305)
20	9-1/2 (241)	7 (178)	3-1/2 (89)	21 (533)	56-1/4 (1429)
24	11-3/8 (289)	8-3/8 (213)	3-1/8 (79)	25 (635)	67-1/2 (1715)

NOTES:

- 360 degree discharge pattern.
- RA4 Series – All steel construction
- Adjusting shaft projects above the neck of the diffuser on sizes 14 through 24. The maximum amount of this projection is Dimension P.
- Standard finish is 44 white.
- Dimensions are in inches
- Dimensions in parenthesis are in mm.
- Requires hard duct or framing to mount.

DAMPER:

- PR10
- PRD10
- PR12
- PRN100

ACCESSORIES:

- Safety Chain
- Round Straightening Grid