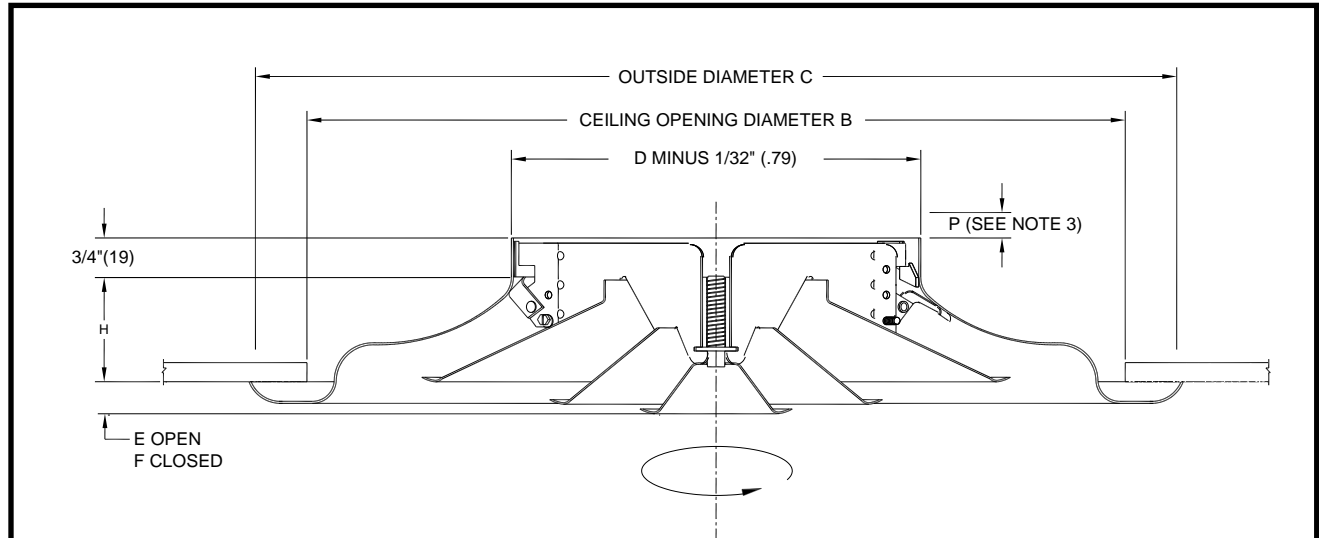


JOB NAME _____
 ARCHITECT _____
 ENGINEER _____
 CONTRACTOR _____
 LOCATION _____

SUBMITTAL SHEET
 Form Number GS3104.2 Effective Date 4/18
 REPLACES GS3104.1



RA2 - ROUND CEILING DIFFUSER with Fully Adjustable Horizontal to Vertical Core



Nominal Duct Size D	B	C	E	F	H	P
6	12 (305)	13-1/2 (343)	1-7/16 (37)	11/16 (17)	1-5/8 (41)	-
8	16 (406)	18 (457)	1-13/16 (46)	7/8 (19)	2-1/8 (54)	-
10	20 (508)	22-1/2 (572)	2-1/4 (57)	1-1/8 (29)	2-5/8 (67)	-
12	24 (635)	27 (686)	2-11/16 (68)	1-1/4 (32)	3-1/4 (83)	-
14	28 (711)	31-1/2 (800)	3-1/8 (79)	1-3/16 (30)	3-3/4 (95)	2-1/2 (64)
16	32 (813)	36 (914)	3-5/16 (84)	1-5/16 (33)	4-1/4 (108)	2-5/8 (67)
18	36 (914)	40-1/2 (1029)	3-3/4 (95)	1-1/2 (38)	4-7/8 (124)	2-3/4 (70)
20	40 (1016)	45 (1143)	4-1/8 (105)	1-5/8 (41)	5-3/8 (137)	3 (76)
24	48 (1219)	54 (1372)	4-7/8 (121)	1-7/8 (48)	6-1/2 (165)	3-1/8 (79)
30	60 (1524)	67-1/2 (1715)	5-9/16 (141)	1-7/8 (48)	8 (203)	4-3/8 (111)
36	60 (1524)	67-1/2 (1715)	5-9/16 (141)	1-7/8 (48)	8 (203)	4-3/8 (111)

NOTES:

- 360 degree discharge pattern.
- RA2 Series – All steel construction
- Adjusting shaft projects above the neck of the diffuser on sizes 14 through 36. The maximum amount of this projection is Dimension P.
- Standard finish is 44 white.
- Dimensions are in inches
- Dimensions in parenthesis are in mm.
- Requires hard duct or framing to mount.

DAMPER

- PR10
- PRD10
- PR12
- PRN100

ACCESSORIES:

- Safety Chain
- Round Straightening Grid