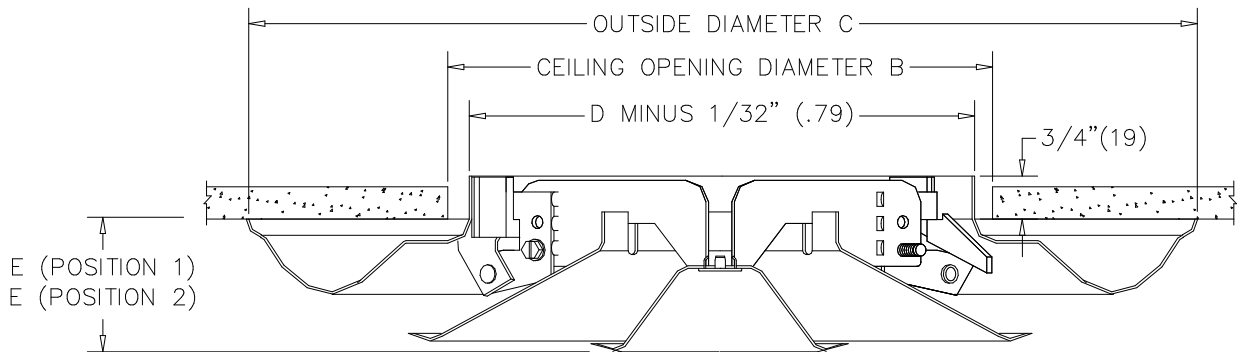


JOB NAME _____
 ARCHITECT _____
 ENGINEER _____
 CONTRACTOR _____
 LOCATION _____

SUBMITTAL SHEET
 Form Number GS3101.1 Effective Date 4/18
 REPLACES GS3101



RM1, 5RM1 - ROUND CEILING DIFFUSER with Two-Position Horizontal Core



Nominal Round Steel Duct Size D	Nominal Round Alum. Duct Size D	B	C	E (Pos.1)	E (Pos.2)
6	6	6-1/2 (165)	11-1/8 (283)	1-3/4 (44)	1-1/8 (29)
8	8	8-1/2 (216)	14-3/4 (375)	2-1/8 (54)	1-1/2 (38)
10	10	10-1/2 (267)	18-1/4 (460)	2-7/8 (73)	2-1/8 (54)
12	12	12-1/2 (318)	22 (559)	3-1/8 (79)	2-3/8 (60)
14	14	14-1/2 (368)	26 (660)	3-3/8 (86)	2-5/8 (67)
16	16	16-1/2 (419)	29 (737)	4 (102)	3-1/4 (83)
18	18	18-1/2 (470)	32-1/2 (826)	4-3/4 (121)	3-7/8 (98)
20	---	20-1/2 (520)	36 (914)	5-7/8 (149)	4-7/8 (124)
24	---	24-1/2 (622)	43-1/4 (1095)	7-3/4 (197)	6-5/8 (168)
30	---	30-1/2 (775)	53-3/4 (1365)	8-1/8 (206)	6-5/8 (168)
36	---	36-1/2 (927)	64-1/2 (1638)	10-1/8 (257)	8-3/8 (213)

NOTES:

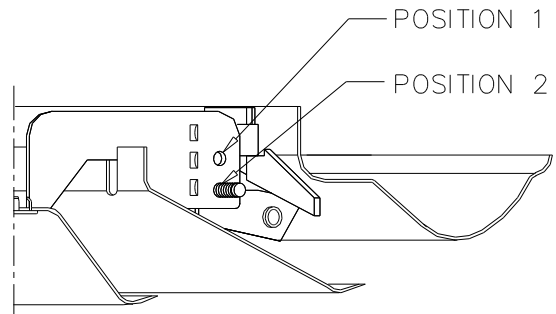
- 360 degree discharge pattern.
- Two position adjustable core.
- RM1 Series – All steel construction
- 5RM1 Series – All aluminum construction
- Sizes 20 through 36 are not available in aluminum.
- Standard finish is 44 white.
- Dimensions are in inches
- Dimensions in parenthesis are in mm.
- Requires hard duct or framing to mount.

DAMPER

- PR10
- PRD10
- PR12
- PRN100

ACCESSORIES:

- Safety Chain
- Round Straightening Grid



2-POSITION ADJUSTMENT