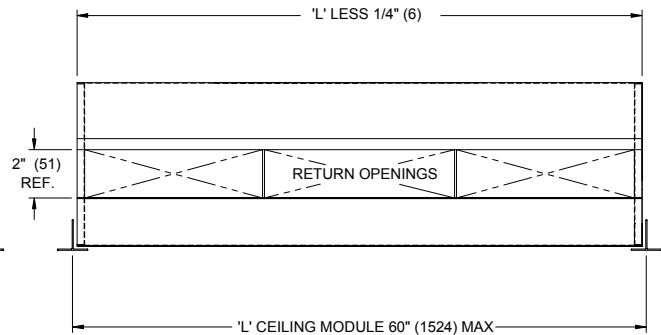
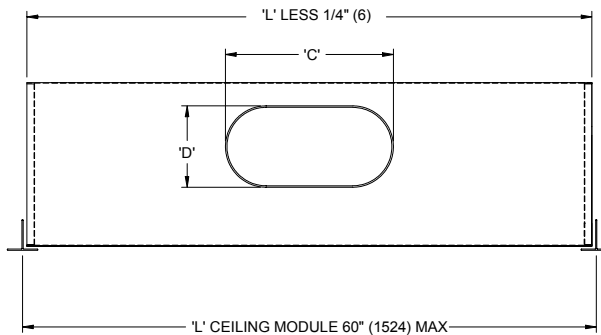
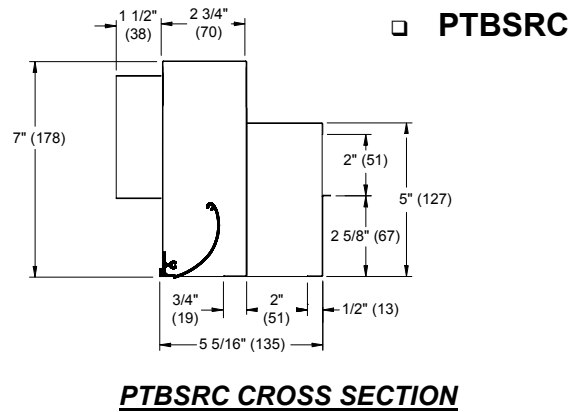
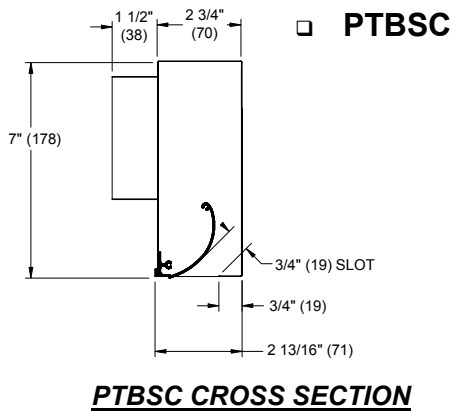


JOB NAME _____
 ARCHITECT _____
 ENGINEER _____
 CONTRACTOR _____
 LOCATION _____

SUBMITTALSHEET
 Form Number PS0040.4 Effective Date 7/03
 Replaces Form PS0040.3



PTBSC / PTBSRC
SUPPLY SLOT DIFFUSER & COMBINATION SUPPLY AND RETURN SLOT UNIT



INLET SIZE	C	D
6 OVAL	7 9/16" (192)	3" (76)
8 OVAL	10 1/16" (256)	4" (102)
10 OVAL	13 1/4" (337)	4" (102)

*STANDARD MODULE SIZES
 24" (610) / 36" (914) / 48" (1219) / 60" (1524)

NOTES :

MATERIAL SPECIFICATIONS

PLENUM : 24 GA. GALVANIZED STEEL.
 BLADES : EXTRUDED ALUMINUM
 OPTIONAL EXTERNAL INSULATION :
 FOIL WRAPPED 1/2 INCH DUAL
 DENSITY 1.5 LB/CU FT

- STANDARD FINISH OF BLADES AND EXPOSED FACE IS BLACK.
- FIXED PATTERN CONTROLLER PROVIDES A ONE-WAY HORIZONTAL DISCHARGE PATTERN TOWARD THE INLET.