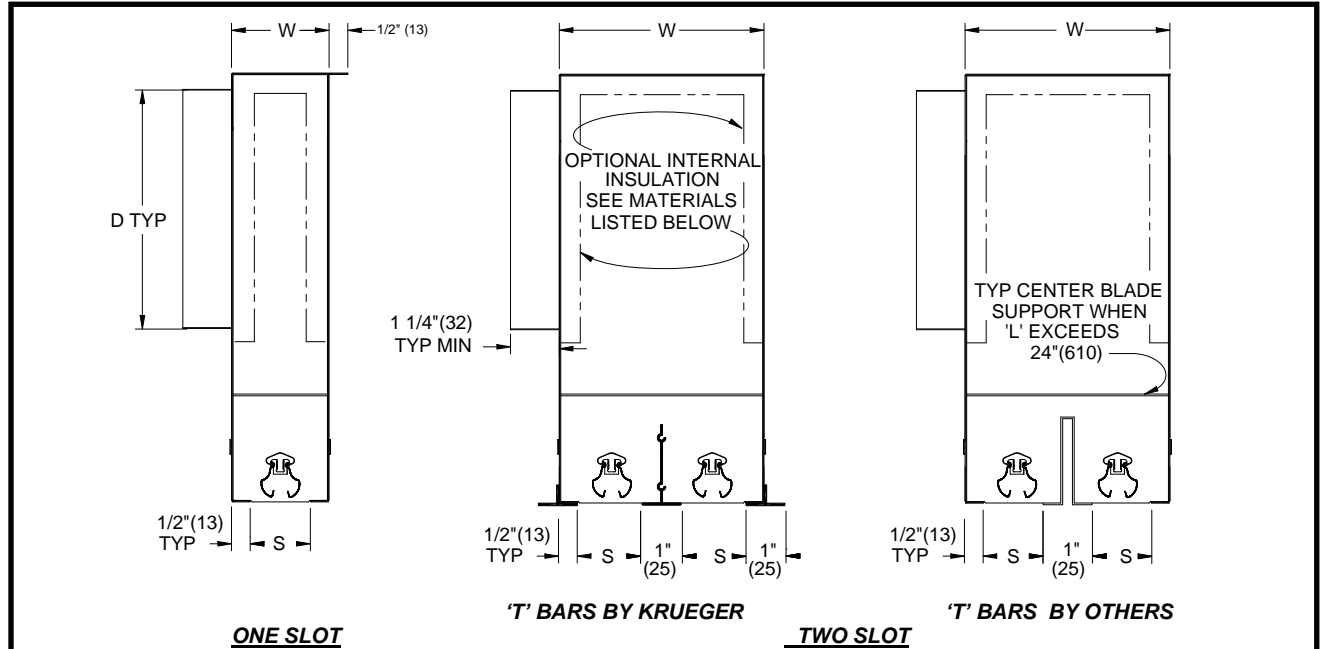


JOB NAME _____
 ARCHITECT _____
 ENGINEER _____
 CONTRACTOR _____
 LOCATION _____

SUBMITTALSHEET
 Form Number PS0070.4 Effective Date 5/11
 Replaces Form PS0070.3



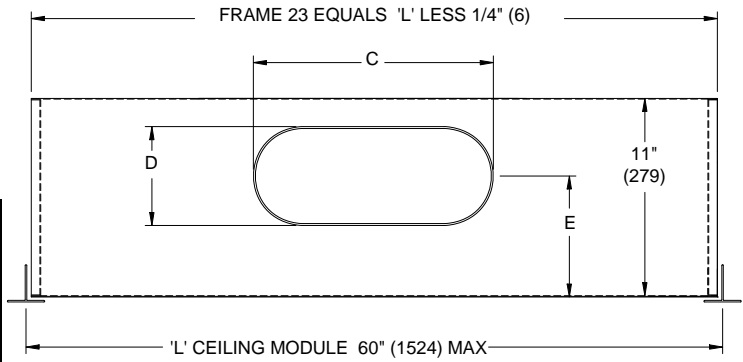
PTBA
ADJUSTABLE LINEAR SLOT DIFFUSER



		1 SLOT	2 SLOT	3 SLOT	4 SLOT
MODEL	S	W			
PTBA	3/4" (19)	1 3/4" (44)	3 1/2" (89)	5 1/4" (133)	7" (178)
	1" (25)	2" (51)	4" (102)	6" (152)	8" (203)

INLET SIZE	C	D	E	L*
5 DIA.	NA	4 7/8" (124)	6 3/16" (157)	24-36
6 OVAL	6 1/4" (159)	5 1/4" (133)	6 3/8" (162)	24-60
8 OVAL	9 3/8" (238)	5 1/4" (133)	6 3/8" (162)	24-60
10 OVAL	12 1/2" (318)	5 1/4" (133)	6 3/8" (162)	24-60
12 OVAL	15 9/16" (395)	5 1/4" (133)	6 3/8" (162)	48-60

*STANDARD MODULE SIZES
 24"(610) / 36"(914) / 48"(1219) / 60"(1524)



INLET SIDE VIEW
 NTS

NOTES :

MATERIAL SPECIFICATIONS

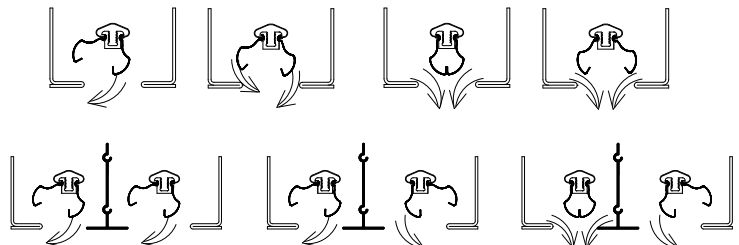
- PLENUM : 24 GA. GALVANIZED STEEL.
- BLADES : STEEL WITH EXTRUDED ALUMINUM SUPPORT
- OPTIONAL INTERNAL INSULATION : 1/4 INCH THICK, 2 LB FIBERGLASS (DOES NOT COVER END CAPS)

STANDARD FINISH

- BLADES AND EXPOSED FACE ARE BLACK.
- OPTIONAL 'T' IS WHITE.

1. ADJUSTABLE PATTERN CONTROLLERS PROVIDE A FULL RANGE OF DISCHARGE PATTERNS.
2. SEE FORM PS0111 FOR PRODUCT OPTIONS.

MANUALLY ADJUSTABLE PATTERNS



TWO SLOT

Product Information is Subject to Change Without Notice