

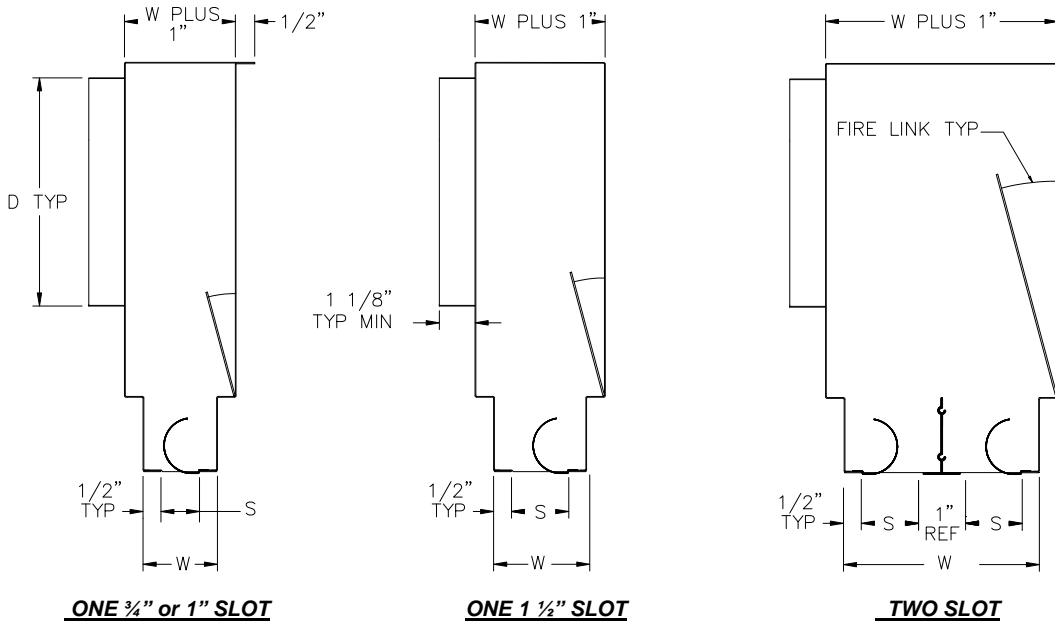
# SUBMITTALSHEET

Form Number PS0050.1 Effective Date 10/12  
Replaces FORM PS0050.1

JOB NAME \_\_\_\_\_  
ARCHITECT \_\_\_\_\_  
ENGINEER \_\_\_\_\_  
CONTRACTOR \_\_\_\_\_  
LOCATION \_\_\_\_\_

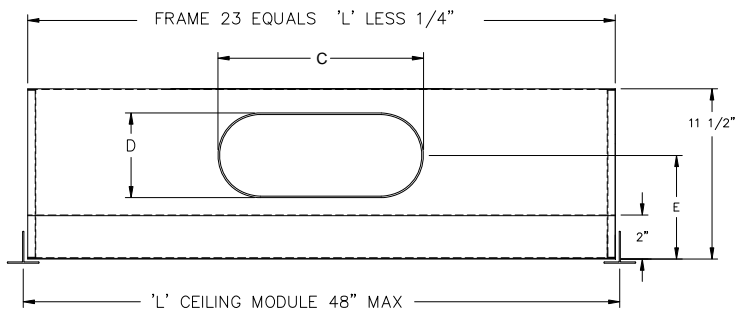


## PFTBS UL FIRE RATED HIGH FLOW SLOT DIFFUSER



INLET SIZE	C	D	E	L*
5 ROUND	---	4 7/8	7 7/8	24 / 36
6 ROUND	---	5 7/8	7 7/8	24 / 36 / 48
7 ROUND	---	6 7/8	7 7/8	24 / 36 / 48
8 ROUND	---	7 7/8	7 7/8	24 / 36 / 48
10 OVAL	12 1/2	5 1/4	7 7/8	24 / 48
12 OVAL	14 1/8	7 7/8	6 1/4	48

\*STANDARD MODULE SIZES ARE 24" / 36" / 48"



**INLET SIDE VIEW**  
NTS

MODEL	S	1 SLOT	2 SLOT
		S	W
PFTBS	3/4	1 3/4	3 1/2
	1	2	4
	1 1/2	2 1/2	5*

\* 2 SLOT (1 1/2\"/>

### NOTES :

#### MATERIAL SPECIFICATIONS

- PLENUM : 24 GA. GALVANIZED STEEL.
- BLADES : ALUMINUM
- OPTIONAL INTERNAL INSULATION :  
COATED 1/2 INCH DUAL DENSITY 1.5 LB/CU FT

1. STANDARD FINISH OF BLADES AND EXPOSED FACE IS BLACK. OPTIONAL 'T' IS WHITE.
2. FOR USE WITH EXPOSED GRID, SUSPENDED CEILING ONLY.
3. FIXED PATTERN CONTROLLERS PROVIDE A TWO WAY PATTERN OR ONE WAY FROM INLET.
4. SEE FORM **PS0110** FOR PRODUCT OPTIONS.

Product Information is Subject to Change Without Notice